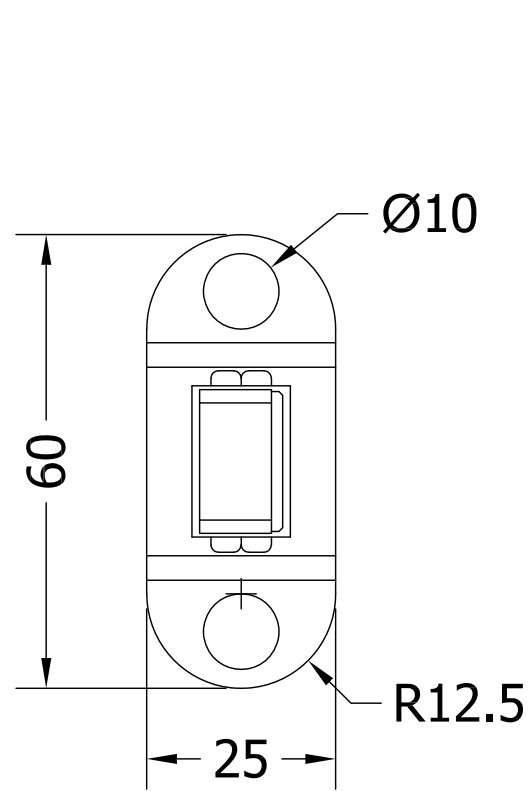
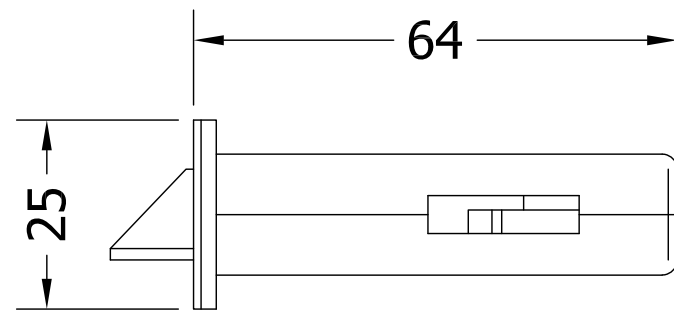
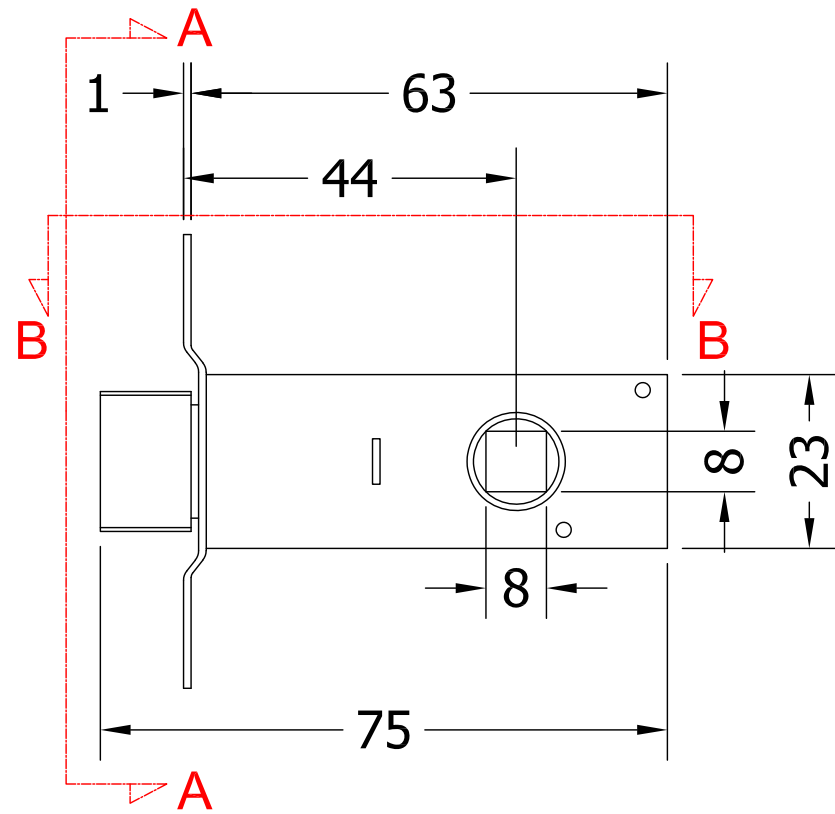


This drawing and specification are the property of the Coastal Group. They are issued in strict confidence and shall not be reproduced, copied or used without written permission.

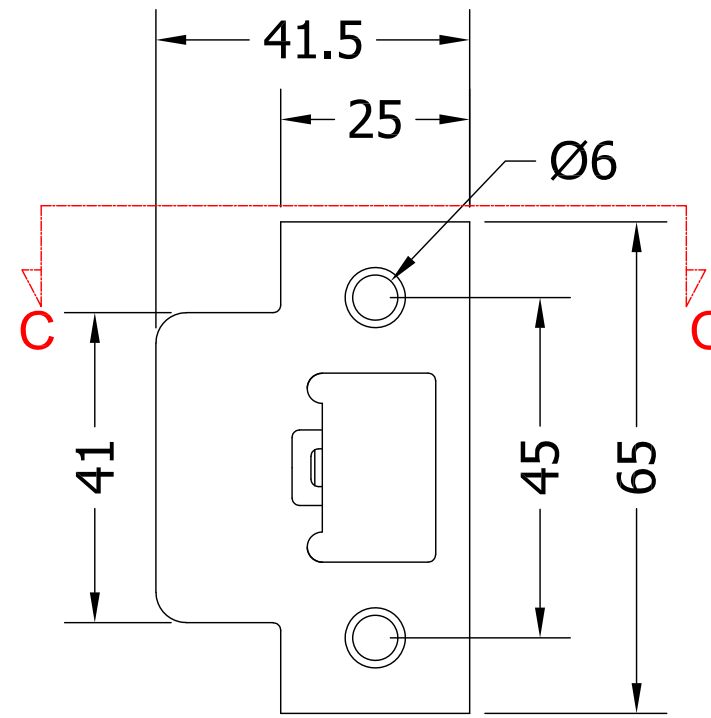
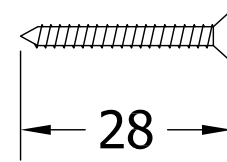
Revision History			
Revision	Description	Drawn By	Date
A	Released	PW BD	19/6/17



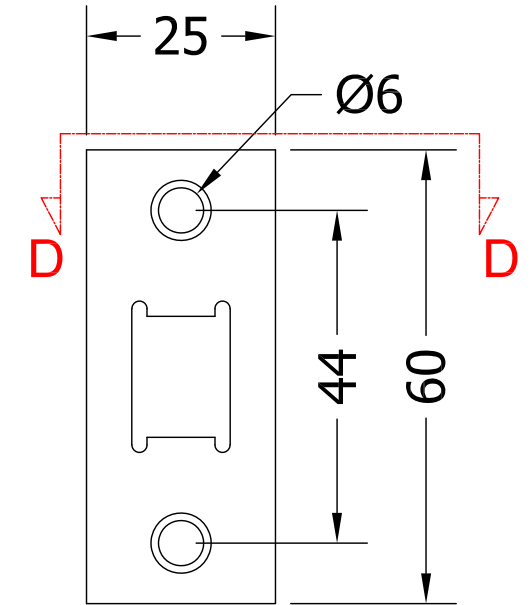
Section A-A




Section B-B



Section C-C



Section D-D



Global House, Bojes Industrial Estate, Trethowel, St Austell, PL25 5RJ
 Telephone | 01726 871725 - Fax | 01726 871731
 Email | sales@coastal-group.com - Web | www.coastal-group.com

Drawing Reference:
Coastal Group

Drawing Title:
Tubular Latches
63mm / 2.5" 44mm Backset

Product Range:
Door Hardware

Additional Info: Forends & Strikes Supplied in SSS & PVD

Date Drawn: 11/10/2017
 Drawn By: Phil Walklett
 Part Number: TLS5025-SSSPVD
 File Name: CG-TLS5025.dwg
 Revision: A
 Drawing Scale: 1:1@A3
 Sheet Number: 1 of 1

THIRD ANGLE PROJECTION

This drawing and specification are the property of Coastal Group, they are issued in strict confidence and shall not be reproduced, copied or used without written permission.