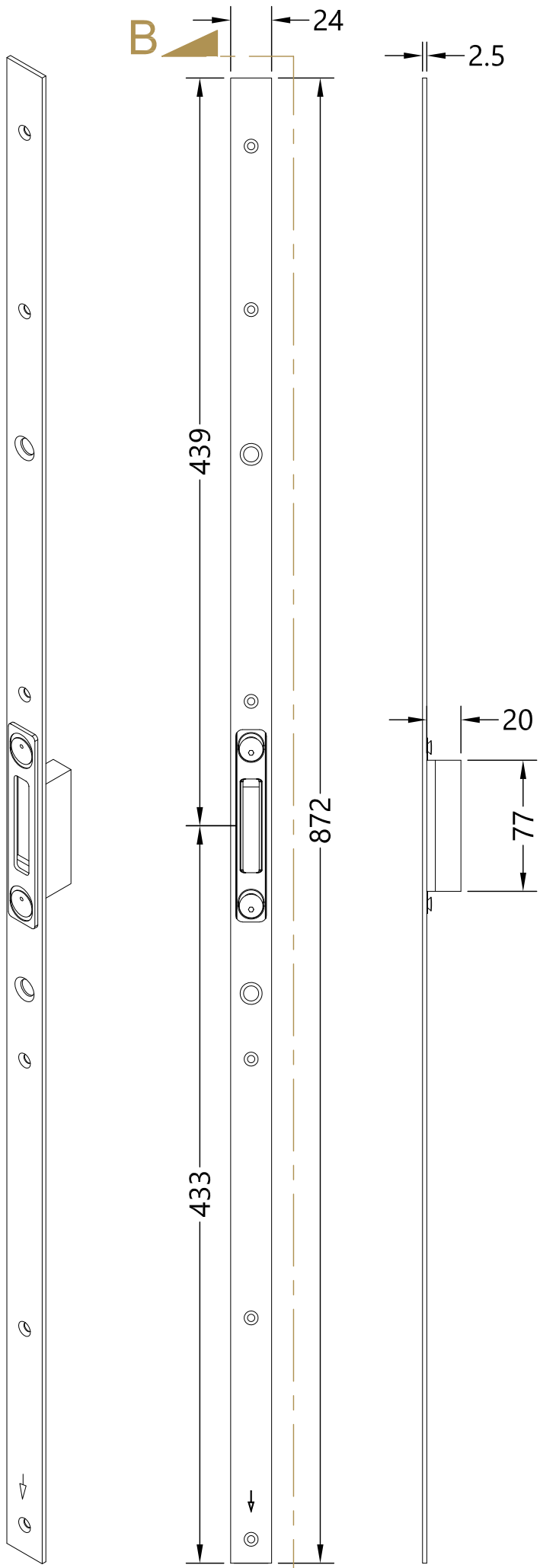
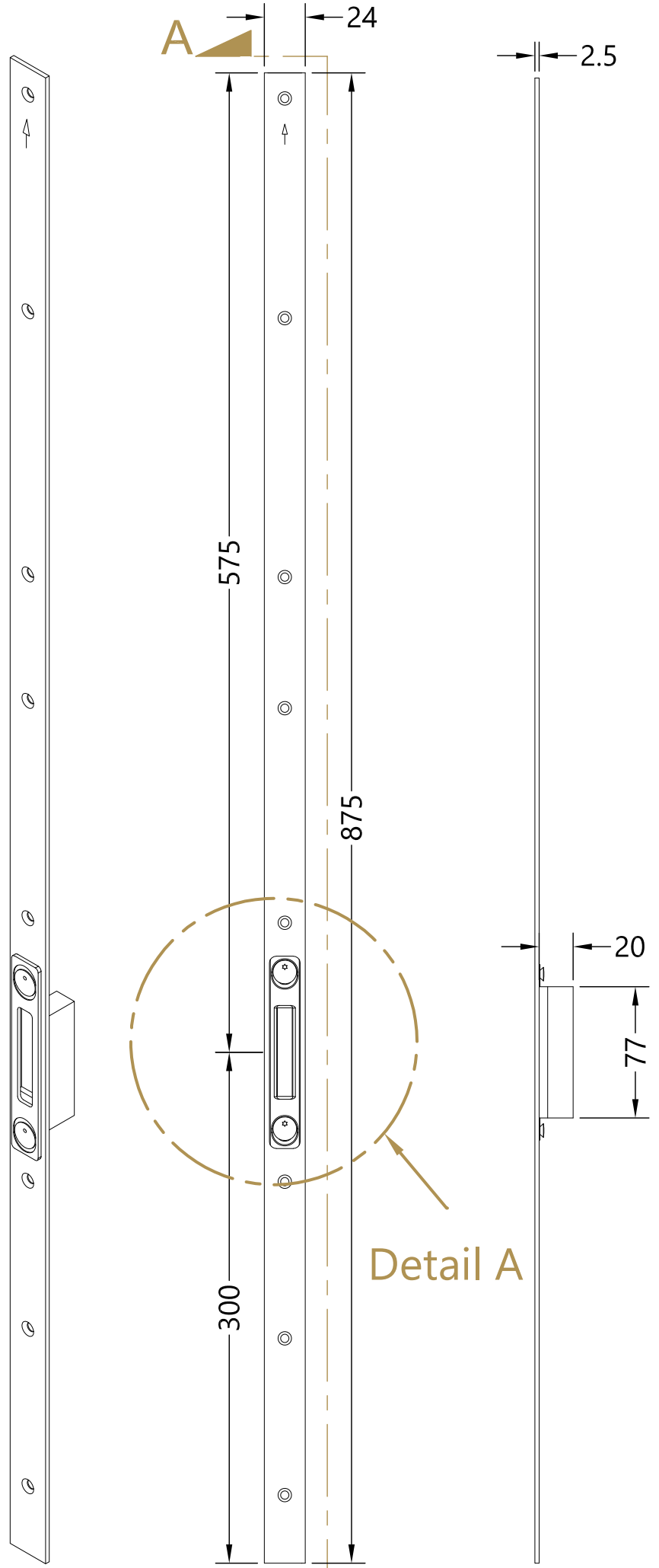


This drawing and specification are the property of the Coastal Group. They are issued in strict confidence and shall not be reproduced, copied or used without written permission.

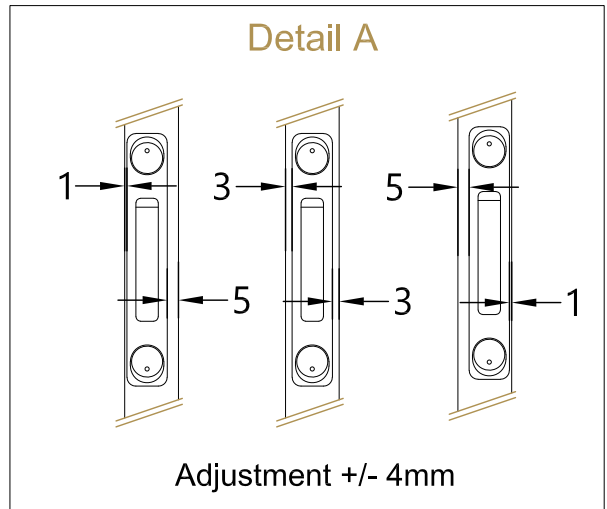
Revision History			
Revision	Description	Drawn By	Date
A	Released	PW	9/8/17



**Section B-B**  
**Upper Keep**



**Section A-A**  
**Lower Keep**



For use with  
Size 1 Locks.

Global House, Bojea Industrial Estate, Trethowel, St Austell, PL25 5RJ telephone   01726 871724 - fax   01726 871731 email   sales@coastal-group.com - web   www.coastal-group.com	
Drawing Reference:	
<b>Coastal Group</b>	
Drawing Title:	
<b>MK26-1-SV</b>	
<b>Hook/Deadbolt Full Length Keep Set</b>	
Product Range:	
<b>Full Length Surface Adjustable Keeps</b>	
Additional Info:	24mm Faceplate Universal
Date Drawn:	14/01/2021
Drawn By:	Phil Walklett
Part Number:	MK26-1-SV
File Name:	CG-MK26-1-SV.dwg
Revision:	A
Drawing Scale:	NONE
Sheet Number:	1 of 1
THIRD ANGLE PROJECTION	
This drawing and specification are the property of Coastal Group, they are issued in strict confidence and shall not be reproduced, copied or used without written permission.	