

# 304 GRADE STAINLESS STEEL/ZINC HARDWARE RANGE KUHLEN MULTIPOINT DOOR LOCK HANDLE

Product Code: MHP60

LIT-DC-MHP60



## *304 Stainless Steel Hardware Range*

- Kuhlén multipoint door handle set
- Cassette sprung lever action
- Mechanically tested to 50,000 cycles
- Stainless steel variants made from 304 stainless steel and salt spray tested to 1,000 hours
- Black powder version made from zinc and corrosion resistant to EN1670: Grade 5 (480 hours)
- Suited window handle to match

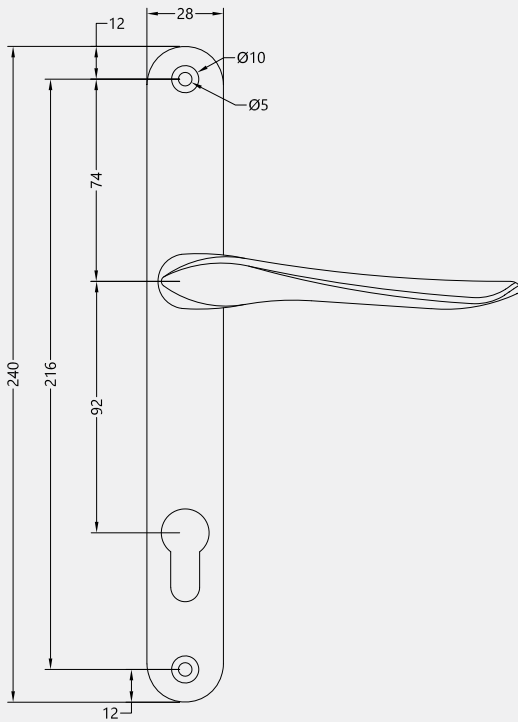


# COASTAL

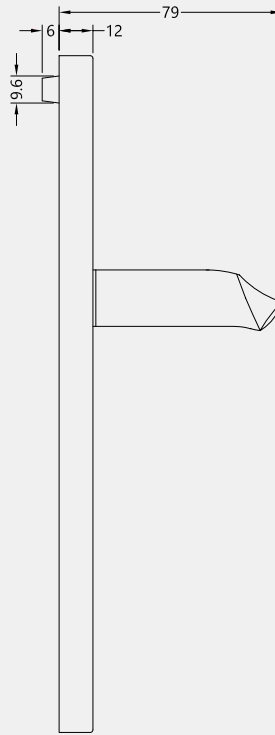
*Shaping the future.*

# KUHLEN MULTIPOINT DOOR LOCK HANDLE

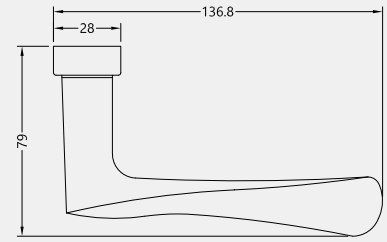
Front Profile



Side Profile



Top Profile



Visit [www.coastal-group.com](http://www.coastal-group.com) for CAD drawings

## FINISHES:



**SSS**  
Satin Stainless Steel



**CP**  
Polished Chrome



**PB**  
Polished Brass



**BK**  
Black

PART NUMBER	PRODUCT DESCRIPTION	FINISH	UNITS
MHP60-LH-SSS	Kuhlen door handle	<b>SSS</b>	Pair
MHP60-RH-SSS	Kuhlen door handle	<b>SSS</b>	Pair
MHP60-LH-CP	Kuhlen door handle	<b>CP</b>	Pair
MHP60-RH-CP	Kuhlen door handle	<b>CP</b>	Pair
MHP60-LH-PB	Kuhlen door handle	<b>PB</b>	Pair
MHP60-RH-PB	Kuhlen door handle	<b>PB</b>	Pair
MHP60-LH-BK	Kuhlen door handle	<b>BK</b>	Pair
MHP60-RH-BK	Kuhlen door handle	<b>BK</b>	Pair



# COASTAL

*Shaping the future.*