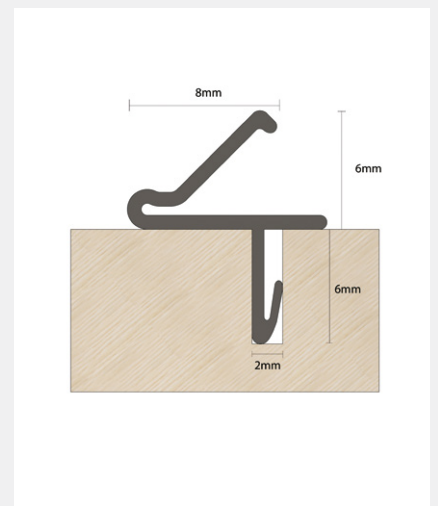
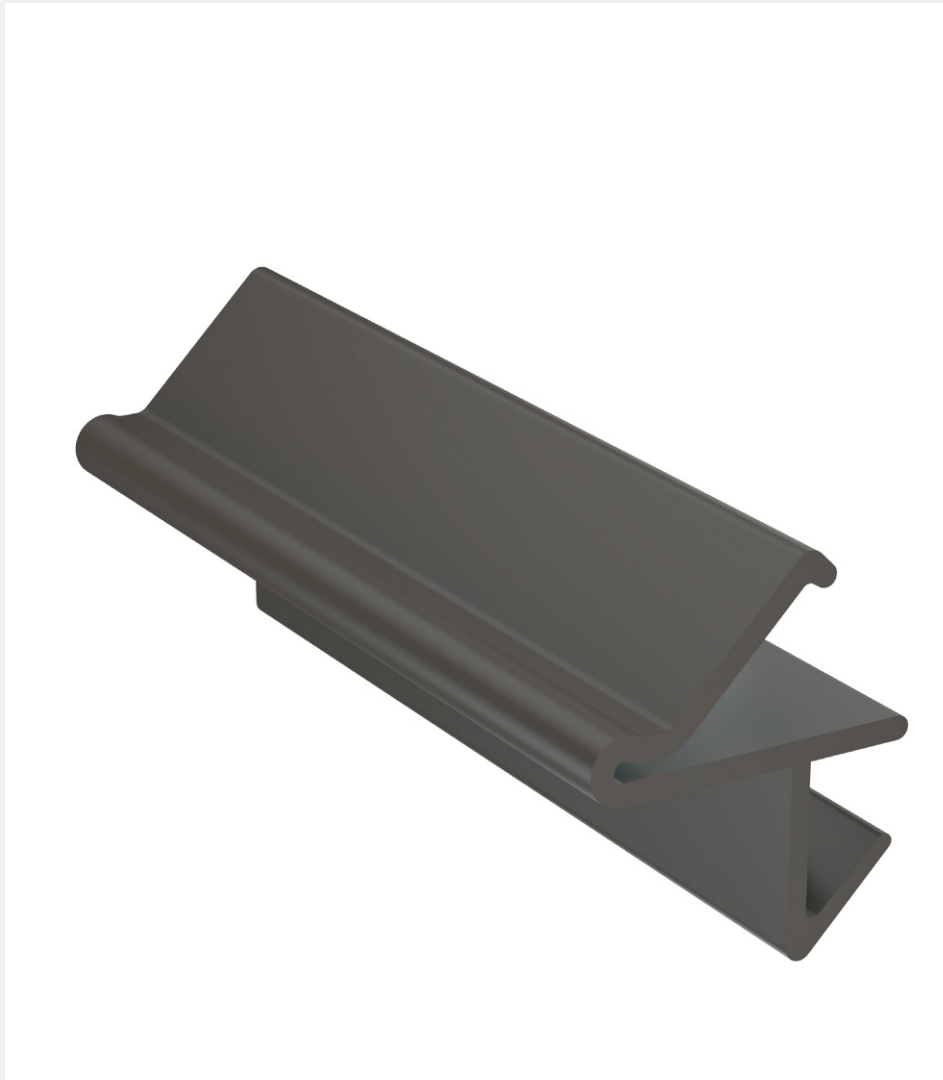


# SLIDEX SEAL

Product Code: SDX3

LIT-DC-SDX3

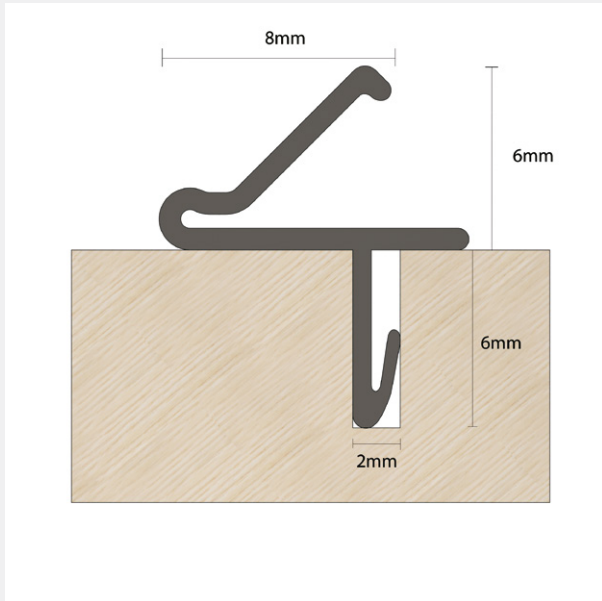


- The SDX3 Slidex seal is a tough friction resistant perimeter or centre rail seal
- Can be used as an effective slide or compression seal on meeting stiles
- Manufactured from a UV-stable polymer
- Seals gaps of up to 5mm



**COASTAL**

*Shaping the future.*



Visit [www.coastal-group.com](http://www.coastal-group.com) for CAD drawings

FINISHES:



**BR**  
Brown



**WH**  
White

PART NUMBER	PRODUCT DESCRIPTION	FINISH	UNITS
SDX3-BR	Slidex Seal, 300mm length	<b>BR</b>	Each
SDX3-WH	Slidex Seal, 300mm length	<b>WH</b>	Each



**COASTAL**

*Shaping the future.*