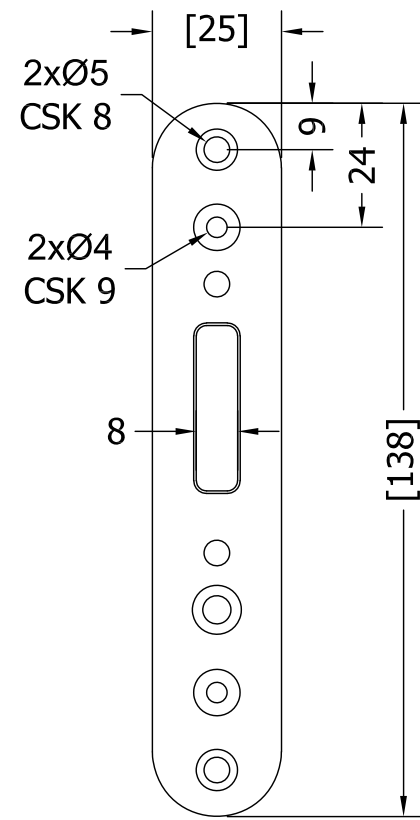
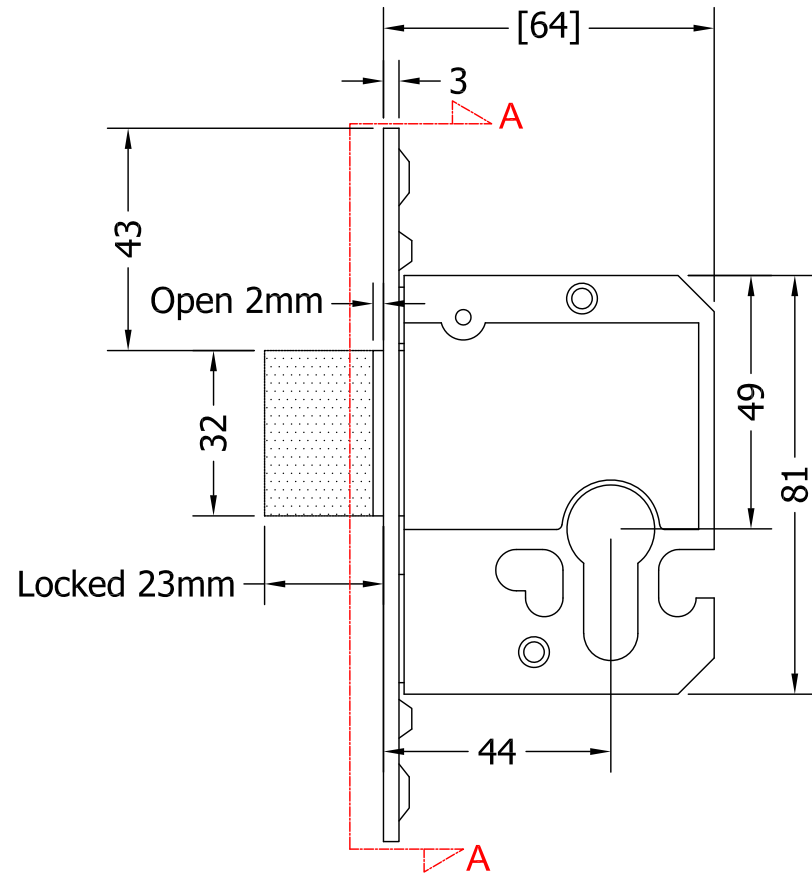
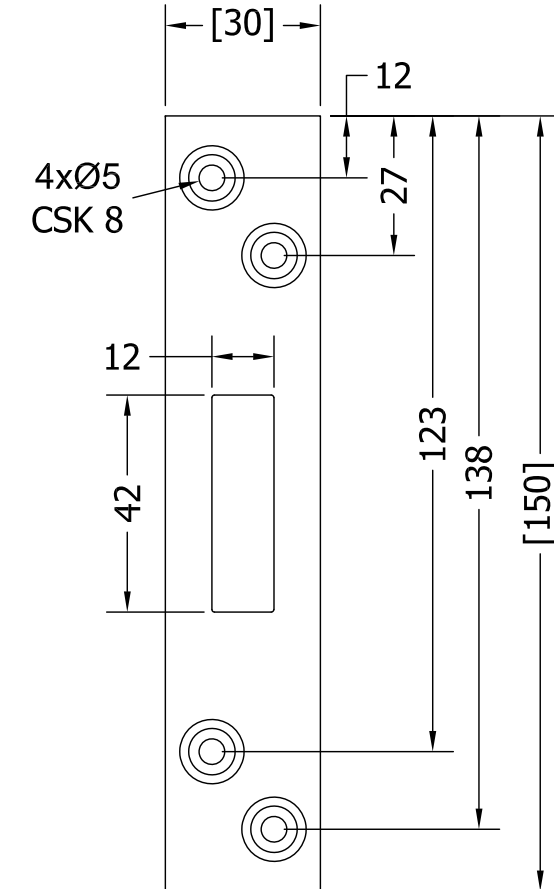
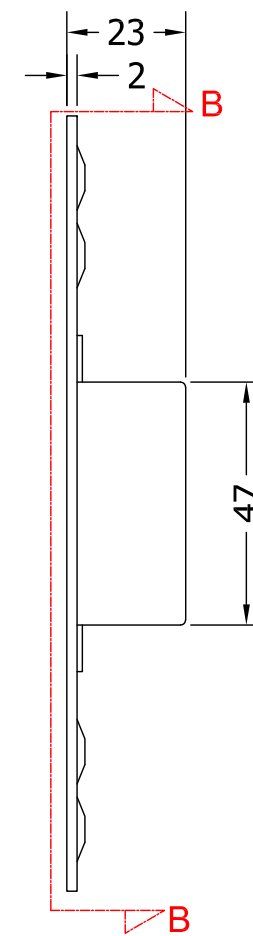


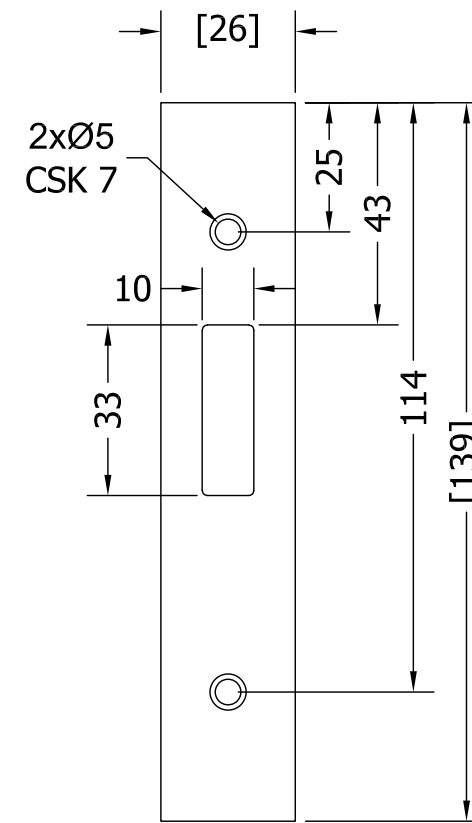
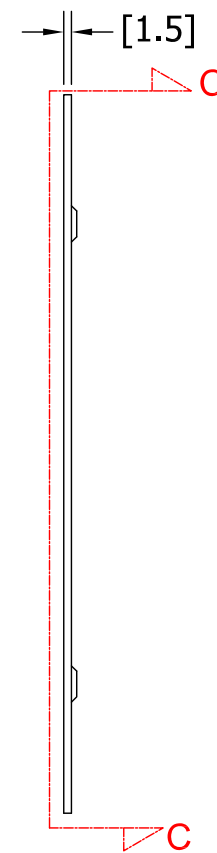
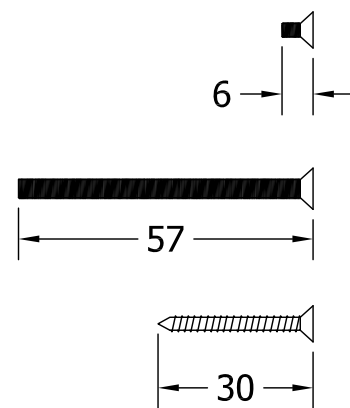
Revision	Description	Drawn By	Date
A	Released	PW BD	18/10/17



SECTION A-A



SECTION B-B



SECTION C-C

COASTAL GROUP
 Global House, Bojia Industrial Estate, Trelowel, St Austell, PL25 5RJ
 Telephone | 01726 871725 - Fax | 01726 871731
 Email | sales@coastal-group.com - Web | www.coastal-group.com

Drawing Reference:
Coastal Group
 Drawing Title:
Euro Profile Mortise Deadlock BS3621
44mm Backset / 64mm Depth
 Product Range:
Mortise Deadlocks
 Additional Info: **Satin Stainless Steel / PVD**
FD30/60 - SBD
 Date Drawn: 18/10/2017
 Drawn By: **Phil Walklett**
 Part Number: **EDBL5025**
 File Name: **CG-EDBL5025.dwg**
 Revision: **A**
 Drawing Scale: **NONE**
 Sheet Number: **1 of 1**

THIRD ANGLE PROJECTION

This drawing and specification are the property of Coastal Group, they are issued in strict confidence and shall not be reproduced, copied or used without written permission.