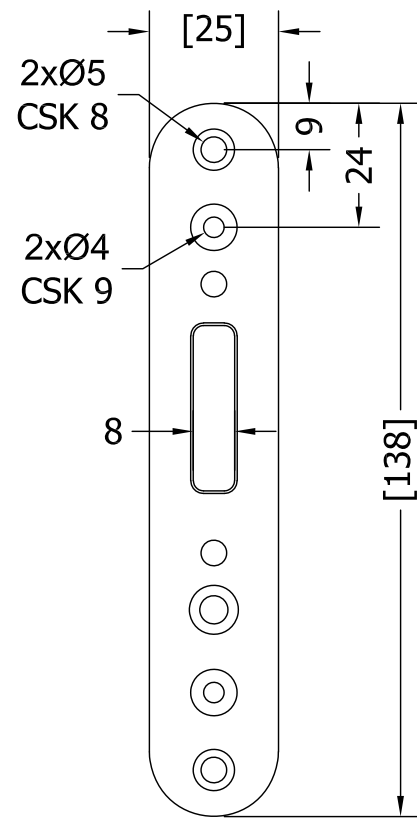
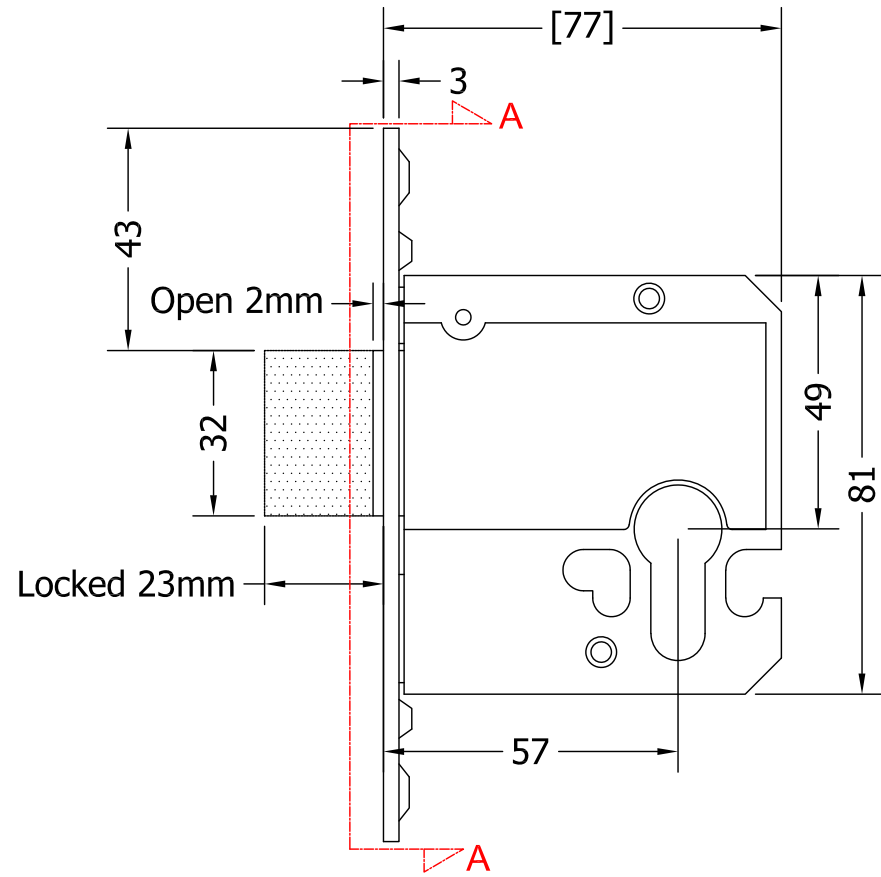


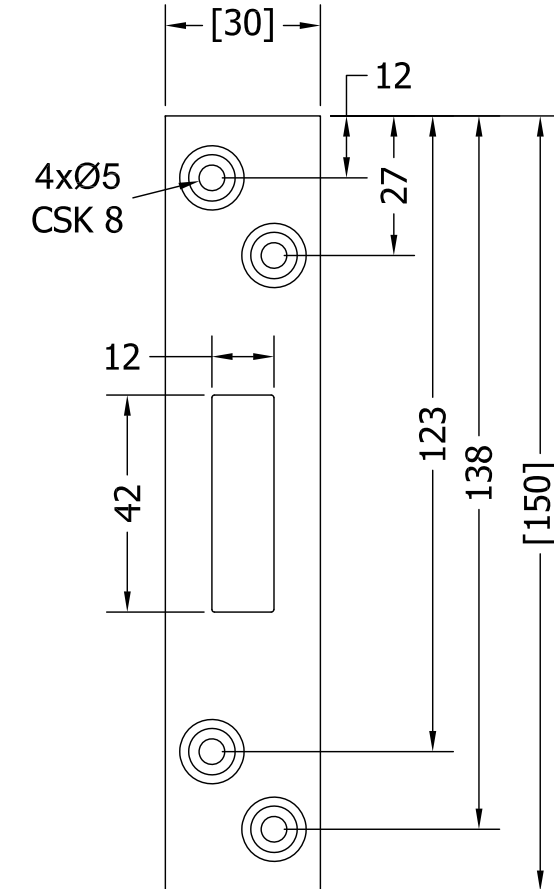
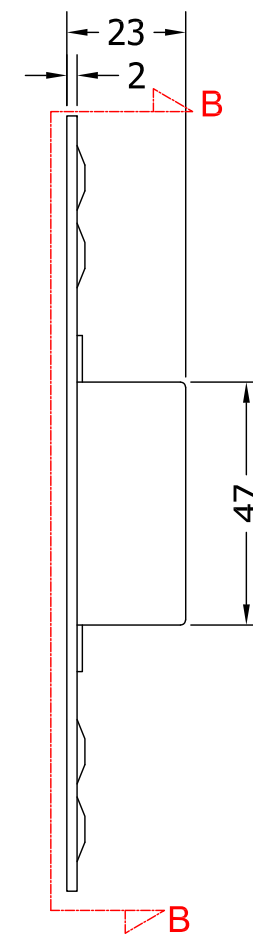
This drawing and specification are the property of the Coastal Group. They are issued in strict confidence and shall not be reproduced, copied or used without written permission.

**Revision History**

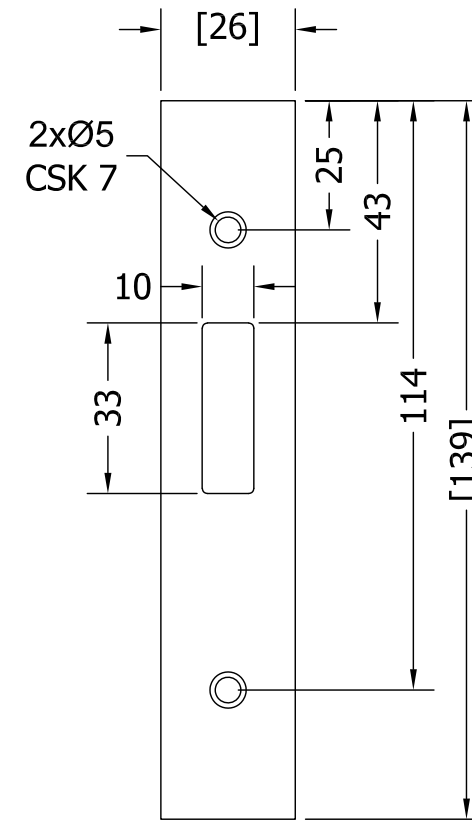
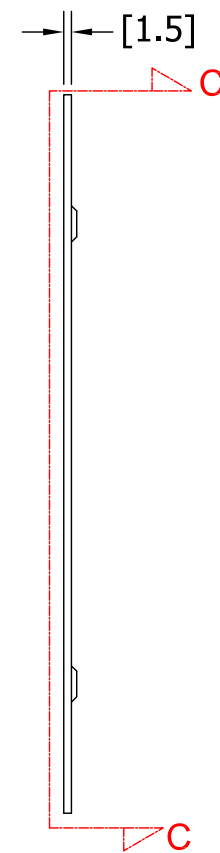
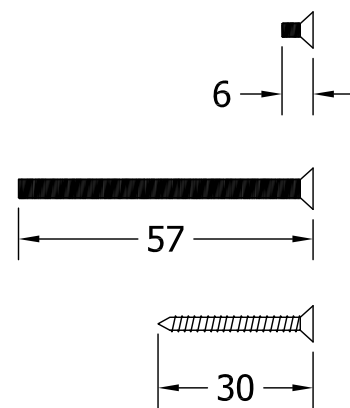
Revision	Description	Drawn By	Date
A	Released	PW BD	18/10/17



**SECTION A-A**



**SECTION B-B**



**SECTION C-C**

**COASTAL GROUP**  
Manufacturing & supplying the style, performance & longevity of internal doors & windows globally

Global House, Bojia Industrial Estate, Trelthorpe, St Austell, PL25 5RJ  
 Telephone | 01726 871725 - Fax | 01726 871731  
 Email | sales@coastal-group.com - Web | www.coastal-group.com

Drawing Reference:  
**Coastal Group**

Drawing Title:  
**Euro Profile Mortise Deadlock BS3621  
 57mm Backset / 77mm Depth**

Product Range:  
**Mortise Deadlocks**

Additional Info: **Satin Stainless Steel / PVD  
 FD30/60 - SBD**

Date Drawn: 18/10/2017  
 Drawn By: **Phil Walklett**

Part Number: **EDBL5030**

File Name: **CG-EDBL5030.dwg**

Revision: **A**

Drawing Scale: **NONE**

Sheet Number: **1 of 1**

THIRD ANGLE PROJECTION

This drawing and specification are the property of Coastal Group, they are issued in strict confidence and shall not be reproduced, copied or used without written permission.