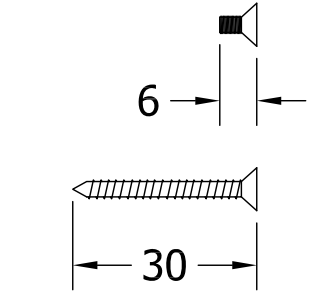
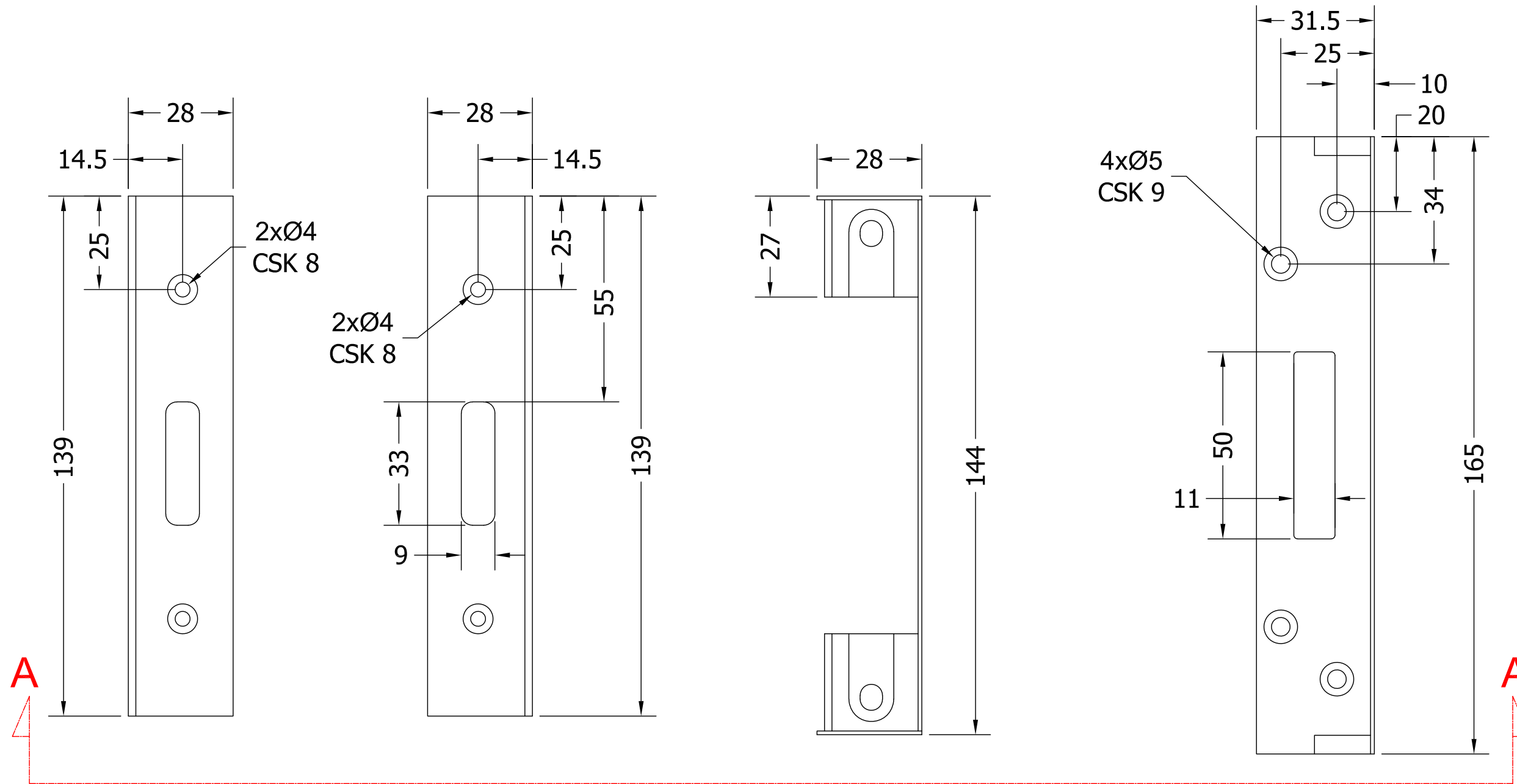


**Revision History**

Revision	Description	Drawn By	Date
A	Released	PW BD	19/10/17



**Section A-A**

**COASTAL GROUP**  
 Global House, Bojes Industrial Estate, Trethowel, St Austell, PL25 5RJ  
 Telephone | 01726 871725 - Fax | 01726 871731  
 Email | sales@coastal-group.com - Web | www.coastal-group.com

**Coastal Group**  
 Lock Rebate Kits - ARB5205  
 13mm Rebate Kit for LDB Locks

**Door Hardware**  
 Additional Info: Eurospec Easi-T British Standard

Date Drawn: 19/10/2017  
 Drawn By: Phil Walklett  
 Part Number: ARB5205  
 File Name: CG-ARB5205.dwg  
 Revision: A  
 Drawing Scale: NONE  
 Sheet Number: 1 of 1

THIRD ANGLE PROJECTION

This drawing and specification are the property of Coastal Group, they are issued in strict confidence and shall not be reproduced, copied or used without written permission.