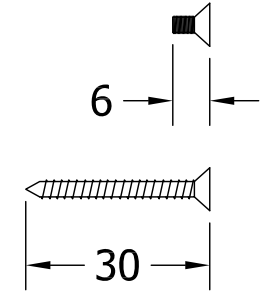
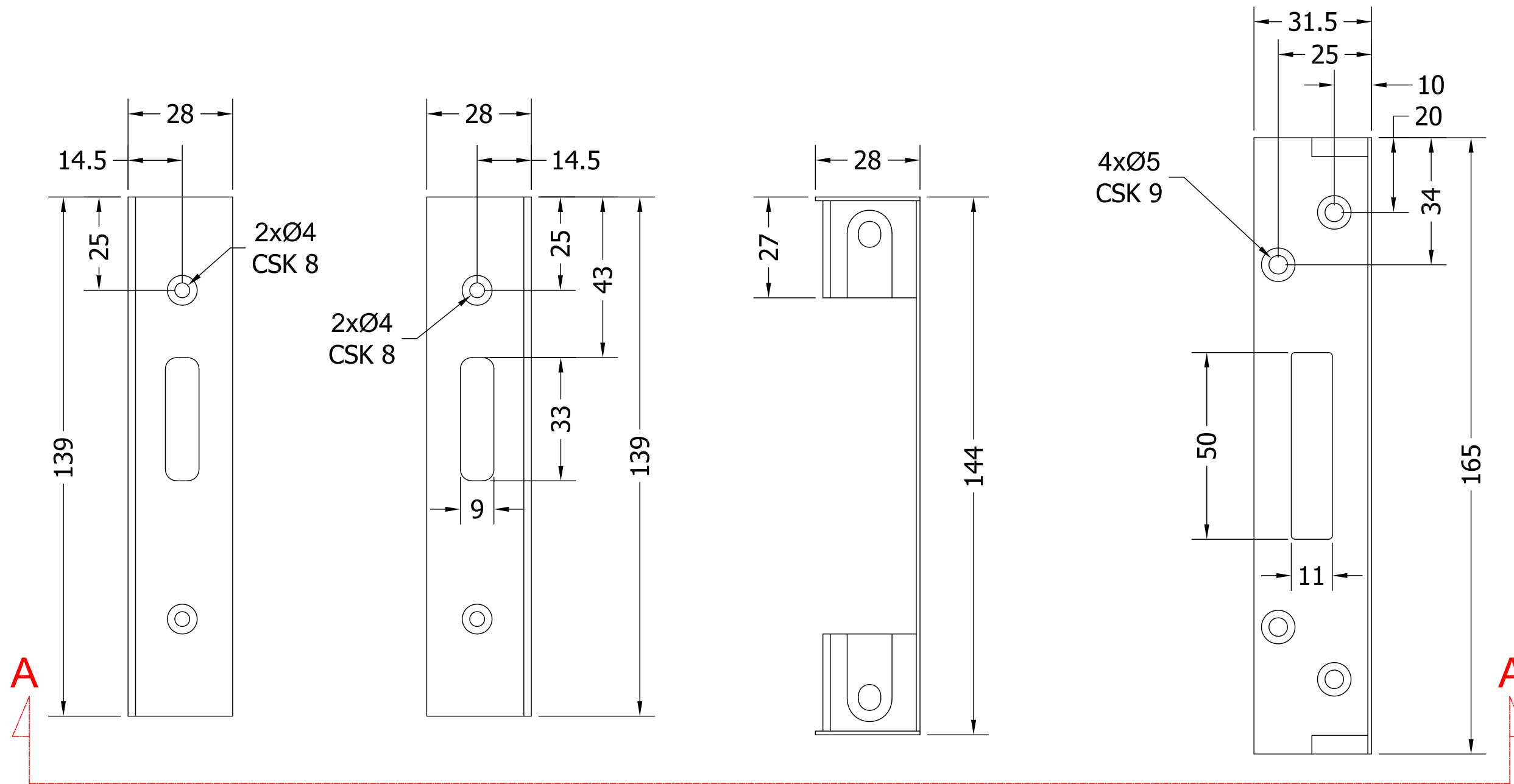


This drawing and specification are the property of the Coastal Group. They are issued in strict confidence and shall not be reproduced, copied or used without written permission.

Revision History

Revision	Description	Drawn By	Date
A	Released	PW BD	19/10/17

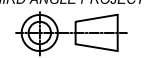


Section A-A

COASTAL GROUP
improving & upgrading the style, performance & longevity of internal doors & windows globally

Global House, Bojes Industrial Estate, Trethowel, St Austell, PL25 5RJ
 Telephone | 01726 871725 - Fax | 01726 871731
 Email | sales@coastal-group.com - Web | www.coastal-group.com

Drawing Reference:
Coastal Group
 Drawing Title:
Lock Rebate Kits - ARB5405
13mm Rebate Kit for EDBL Locks
 Product Range:
Door Hardware
 Additional Info: Eurospec Easi-T British Standard
 Date Drawn: 19/10/2017
 Drawn By: Phil Walklett
 Part Number: ARB5405
 File Name: CG-ARB5405.dwg
 Revision: A
 Drawing Scale: NONE
 Sheet Number: 1 of 1

THIRD ANGLE PROJECTION
 This drawing and specification are the property of Coastal Group, they are issued in strict confidence and shall not be reproduced, copied or used without written permission.