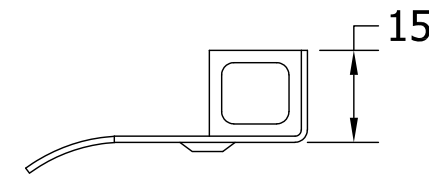
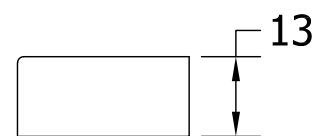
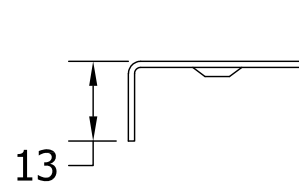
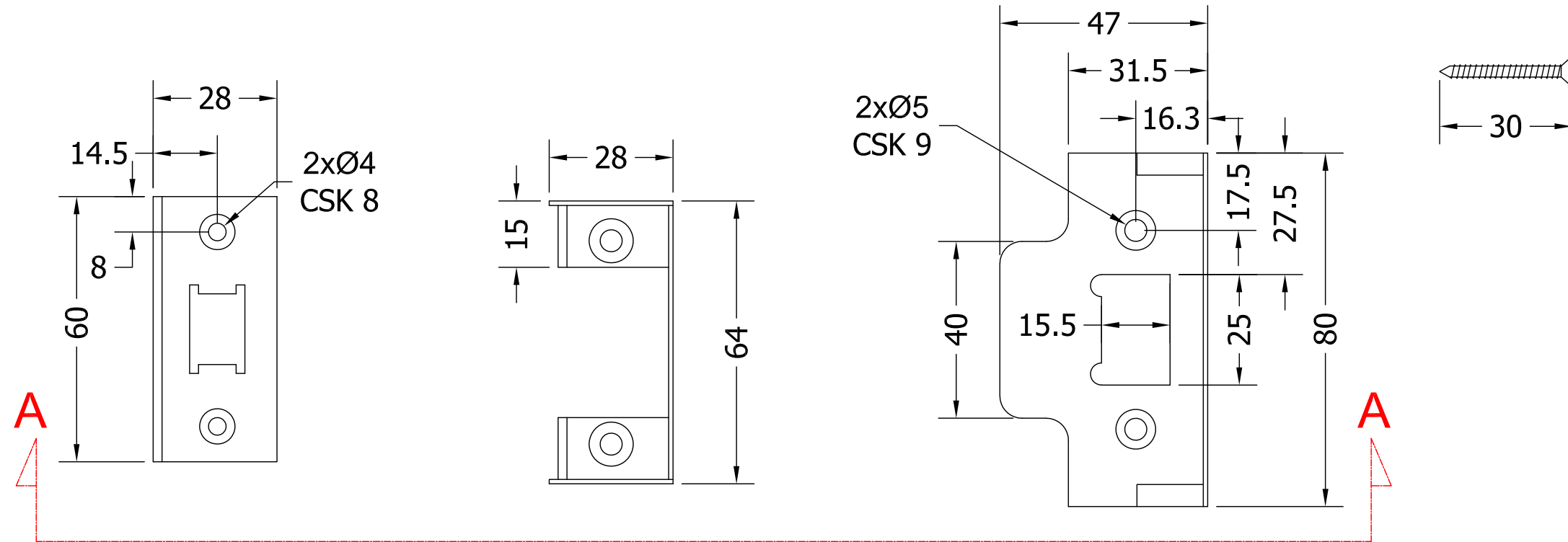


Revision History

Revision	Description	Drawn By	Date
A	Released	PW BD	19/10/17



Section A-A

COASTAL GROUP
improving & upgrading the style, performance & longevity of internal doors & windows globally

Global House, Bojes Industrial Estate, Trethowel, St Austell, PL25 5RJ
 Telephone | 01726 871725 - Fax | 01726 871731
 Email | sales@coastal-group.com - Web | www.coastal-group.com

Drawing Reference:
Coastal Group

Drawing Title:
Lock Rebate Kits - ART5105
13mm Rebate Kit for TLS/TLD Locks

Product Range:
Door Hardware

Additional Info: Eurospec Easl-T British Standard Latch 13mm Wrap Around

Date Drawn: 19/10/2017
 Drawn By: Phil Walklett
 Part Number: ART5105
 File Name: CG-ART5105.dwg
 Revision: A
 Drawing Scale: NONE
 Sheet Number: 1 of 1

THIRD ANGLE PROJECTION
 This drawing and specification are the property of Coastal Group, they are issued in strict confidence and shall not be reproduced, copied or used without written permission.