

BLU RANGE

## CONTEMPORARY WINDOW HANDLE - CRANKED

Product Code: SST87

LIT-DC-SST87



### *316 Marine Grade Stainless Steel Hardware Range*

- Contemporary design window espagnolette handle
- Sprung action to keep the lever in place
- Cranked angled handle to avoid the handle stub clashing on the frame
- Lockable for added security
- Part of a suited range of hardware including matching door handle
- Manufactured from 316 marine grade stainless steel
- Ideal for use where corrosion levels are high such as coastal environments and with acidic timber
- Durability: BS EN 1191:2012, 10,000 Cycles
- Lifetime guarantee

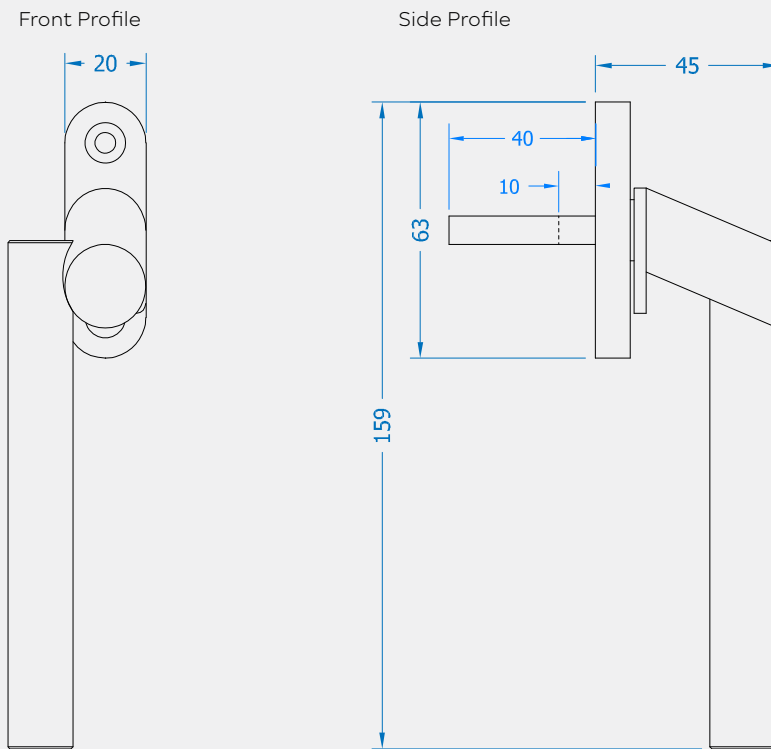
T 01726 871 025 E [sales@coastal-group.com](mailto:sales@coastal-group.com) W [coastal-group.com](http://coastal-group.com)  
© Coastal Specialist Ironmongery Ltd 2021



# COASTAL

*Shaping the future.*

CONTEMPORARY WINDOW HANDLE - CRANKED



Visit [www.coastal-group.com](http://www.coastal-group.com) for CAD drawings

FINISHES:



**SSS**  
Satin Stainless Steel



**PBK**  
PVD Satin Black

PART NUMBER	PRODUCT DESCRIPTION	FINISH	UNITS
SST87-40-LH-SSS	Contemporary lockable window espagnolette handle - cranked - 40mm spindle	<b>SSS</b>	Each
SST87-40-RH-SSS	Contemporary lockable window espagnolette handle - cranked - 40mm spindle	<b>SSS</b>	Each
SST87-40-LH-PBK	Contemporary lockable window espagnolette handle - cranked - 40mm spindle	<b>PBK</b>	Each
SST87-40-RH-PBK	Contemporary lockable window espagnolette handle - cranked - 40mm spindle	<b>PBK</b>	Each
SST87-10-LH-SSS	Contemporary lockable window espagnolette handle - cranked - 10mm spindle	<b>SSS</b>	Each
SST87-10-RH-SSS	Contemporary lockable window espagnolette handle - cranked - 10mm spindle	<b>SSS</b>	Each



**COASTAL**

*Shaping the future.*