



COASTAL

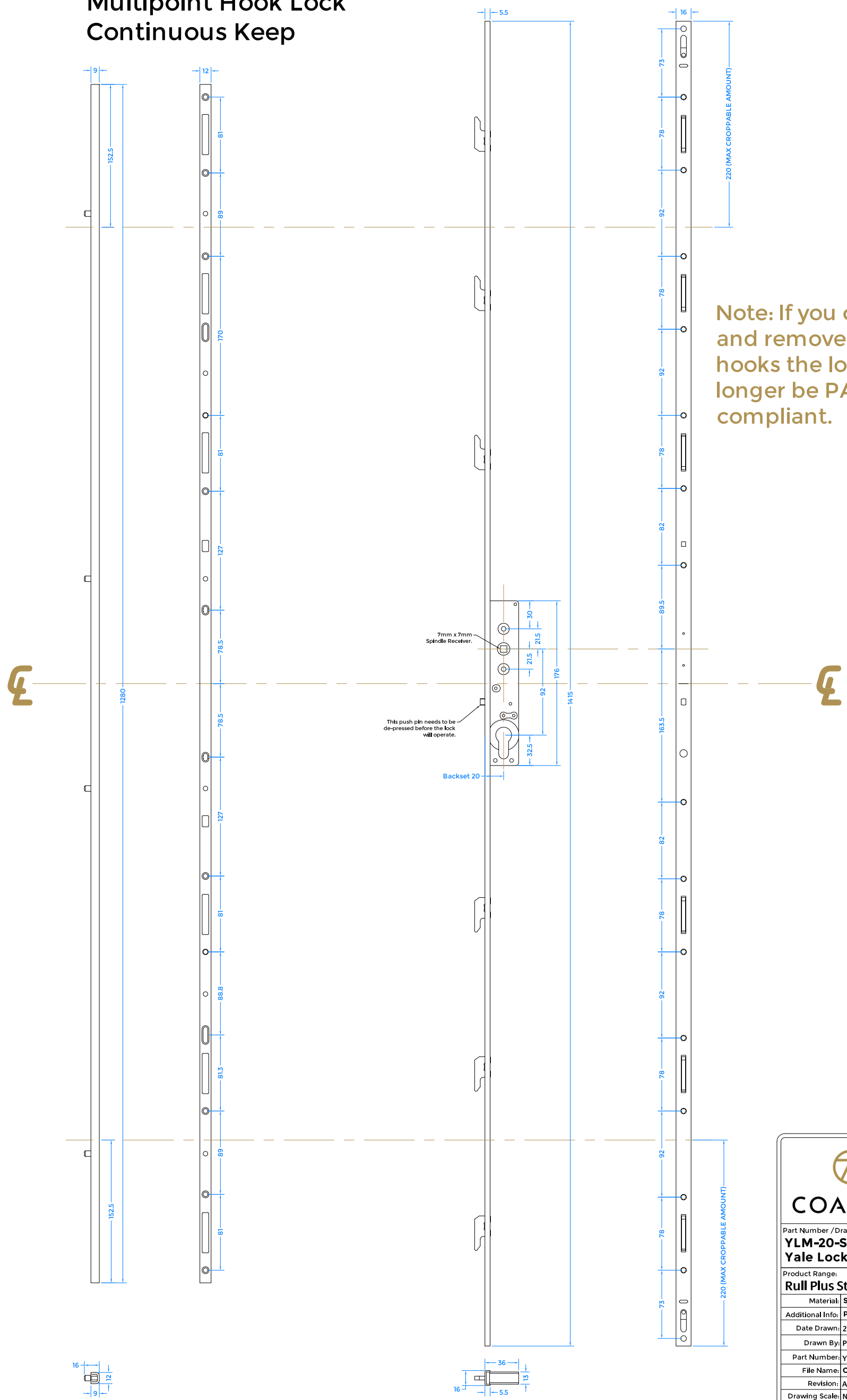
Shaping the future.

**Rullo Plus Sliding Door System
&
Yale Lock Master Door Lock**


REVISION HISTORY		
Revision	Description	Date
A	Release	09/02/21

YLM-20-SS Multipoint Hook Lock

YLM-HK-SS Multipoint Hook Lock Continuous Keep



Note: If you crop the lock and remove any security hooks the lock will no longer be PAS23 or PAS24 compliant.



coastal-group.com
Shaping the future

COASTAL

Part Number / Drawing Title:
**YLM-20-SS / YLM-HK-SS
Yale Lockmaster, Lock & Keep Set**

Product Range:
Rull Plus Straight Sliding System

Material: **Stainless Steel**

Additional Info: **Patio Door Lock Set**

Date Drawn: 21/11/2018

Drawn By: Phil Walklett

Part Number: YLM-20-SS / YLM-HK-SS

File Name: CG-YLM-20-SS.dwg

Revision: A

Drawing Scale: Not to Scale

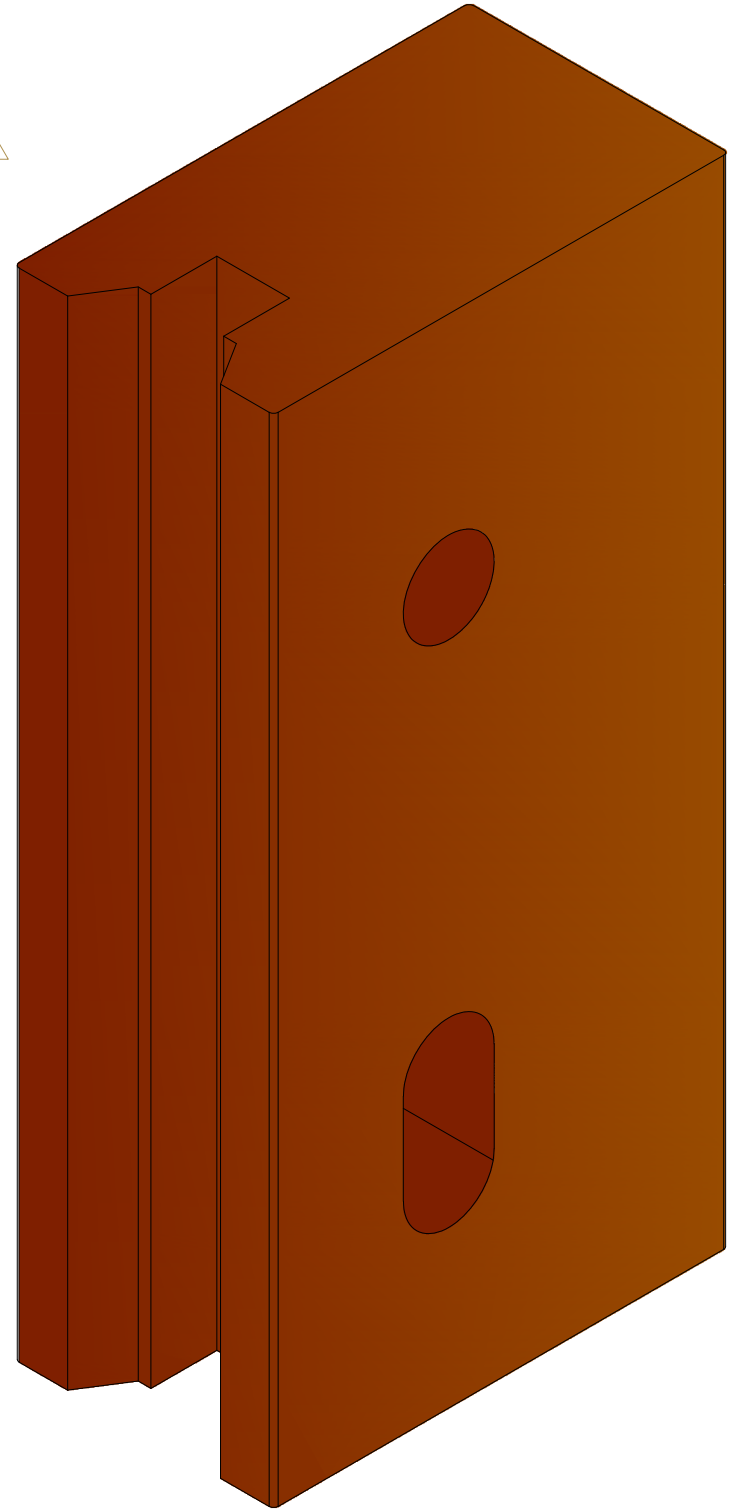
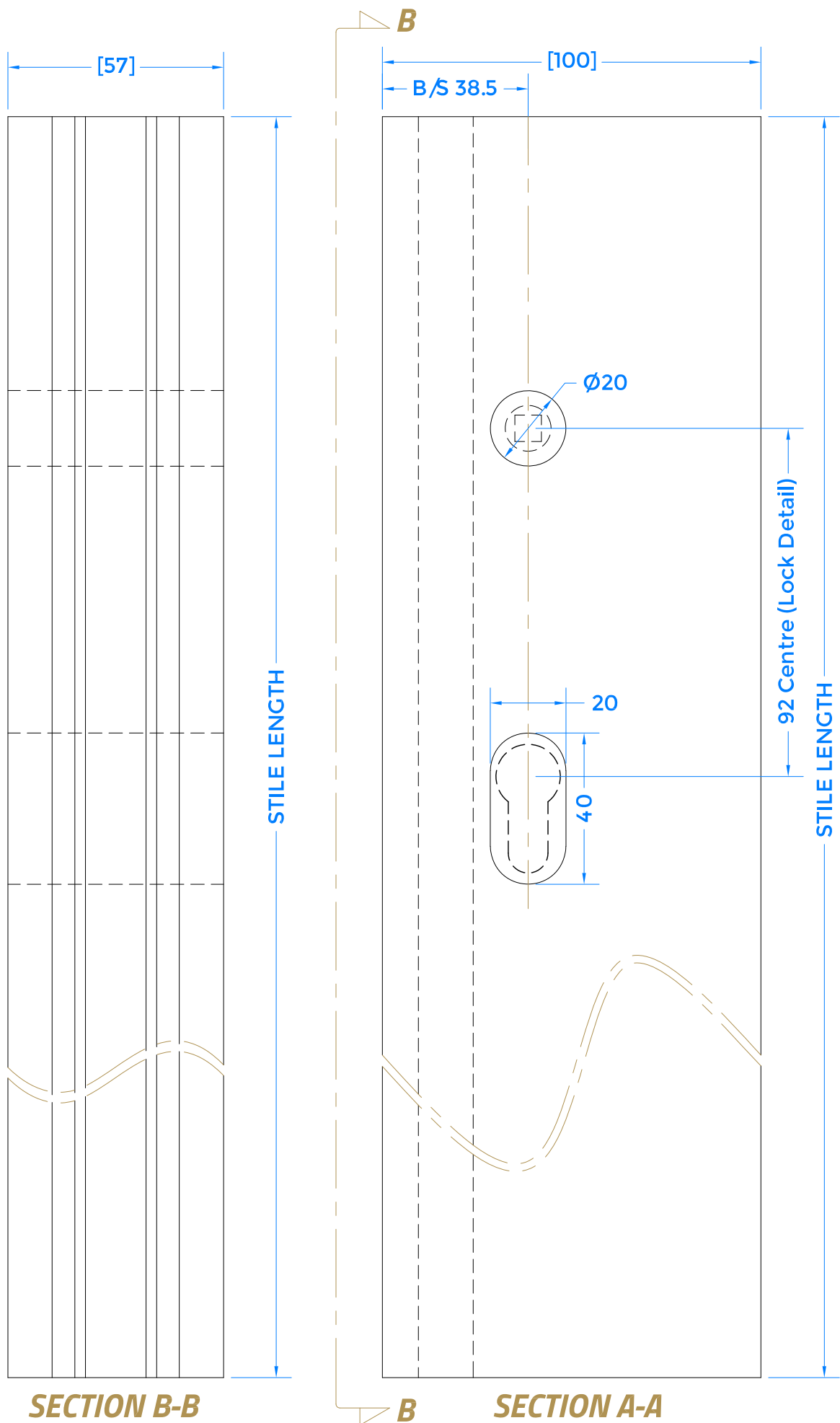
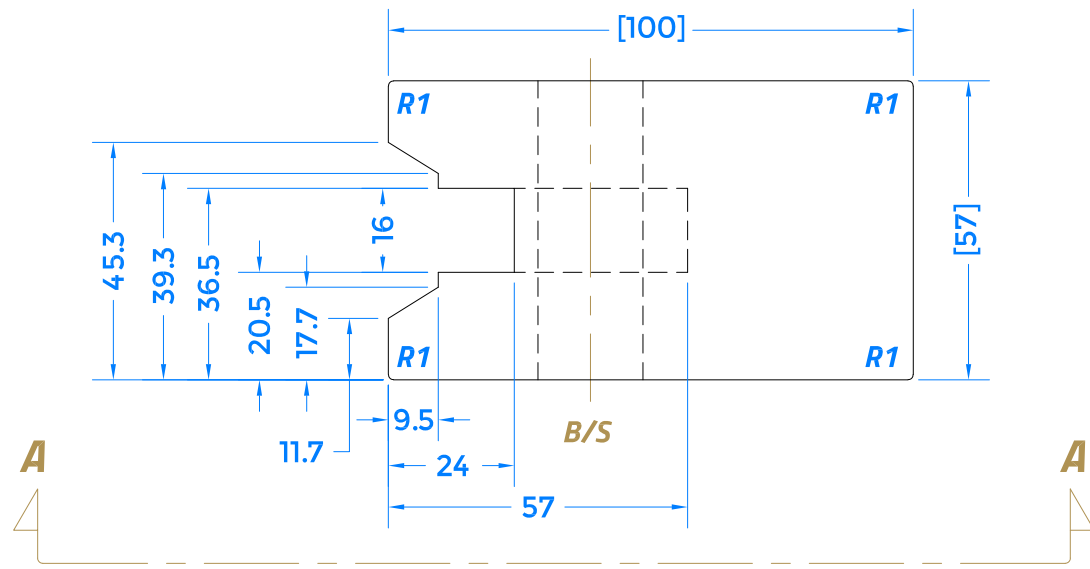
Sheet Number: 1 of 1

THIRD ANGLE PROJECTION

This drawing and specification are the property of Coastal Specialist Ironmongery Ltd. they are issued in strict confidence and shall not be reproduced, copied or used without written permission.
E&OE - All dimensions are specified in mm.

REVISION HISTORY		
Revision	Description	Date
A	Release	09/02/21

Master Door Lock Side Stile




 coastal-group.com
Shaping the future
COASTAL

Part Number / Drawing Title:
Master Door Lock Stile
Lock Stiles

Product Range:
Rullo Plus Straight Sliding System

Material: **Timber**

Additional Info:
 Date Drawn: 09/02/2021
 Drawn By: Phil Walklett

Part Number: N/A
 File Name: Rullo_Lock-Section-Drawing.dwg

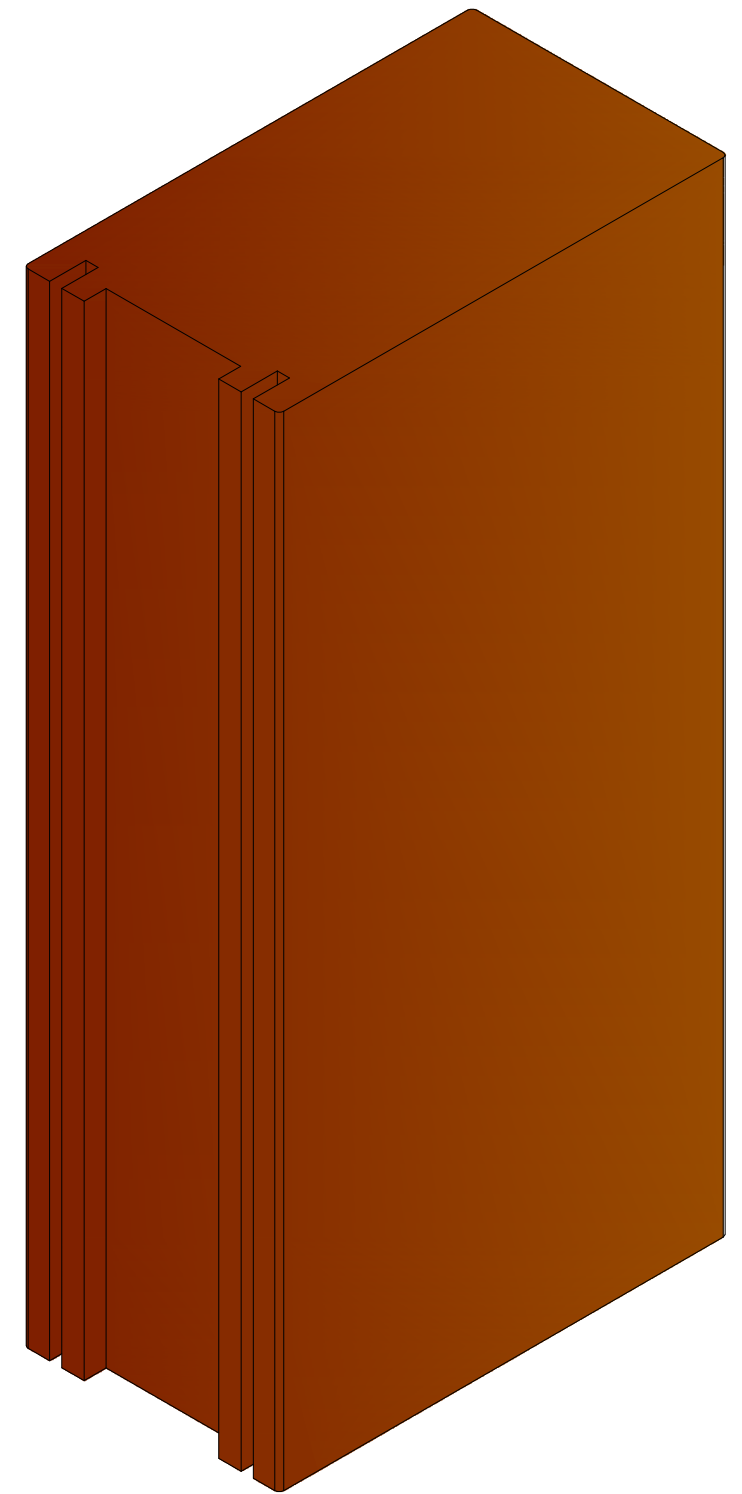
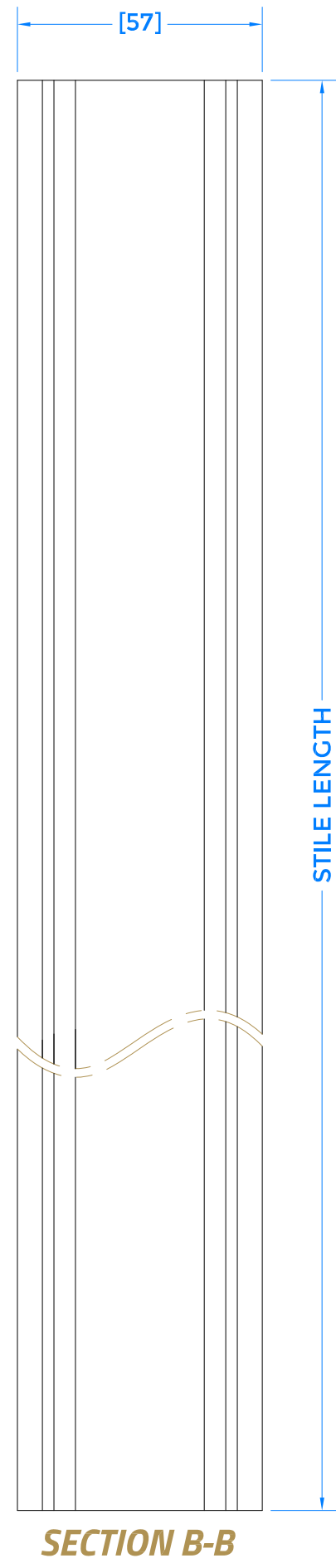
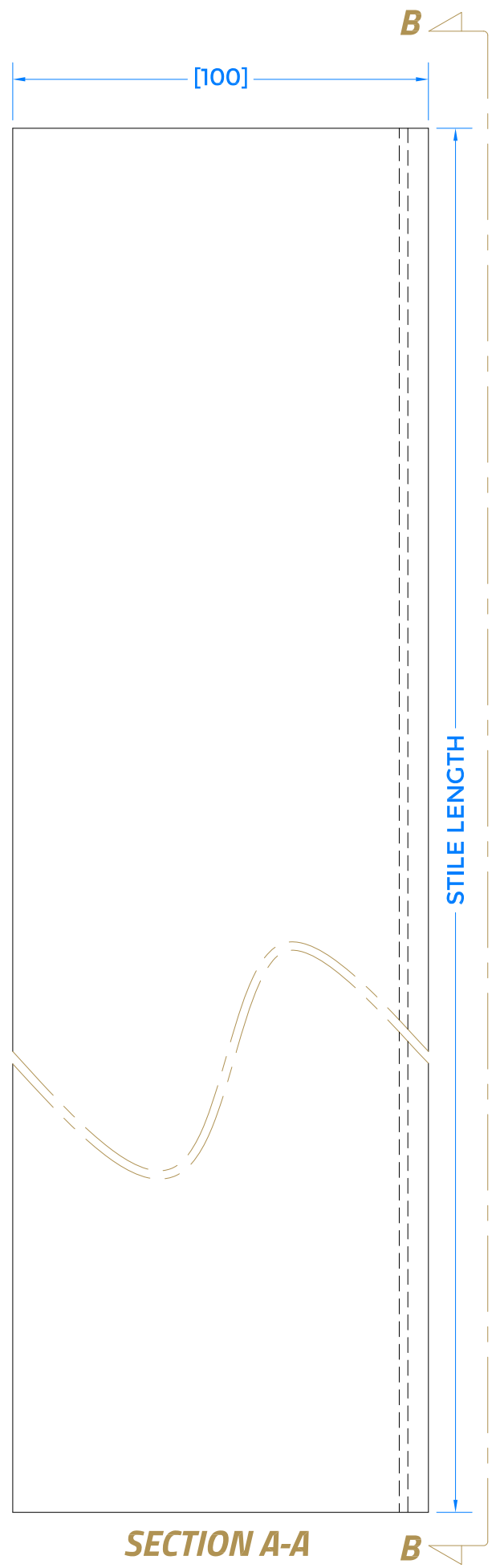
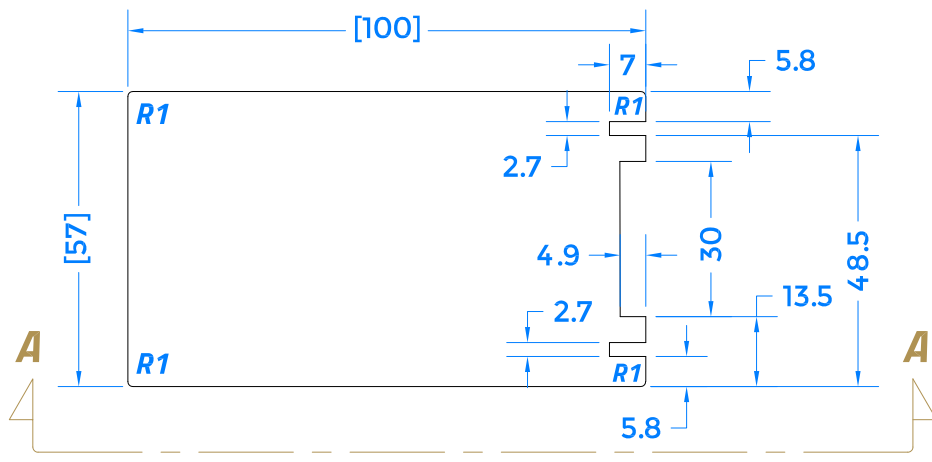
Revision: A
 Drawing Scale: Not to Scale
 Sheet Number: 1 of 1

THIRD ANGLE PROJECTION

This drawing and specification are the property of Coastal Specialist Ironmongery Ltd. they are issued in strict confidence and shall not be reproduced, copied or used without written permission. E&OE - All dimensions are specified in mm.

REVISION HISTORY		
Revision	Description	Date
A	Release	09/02/21

Slave Door /Jamb Side Stile





coastal-group.com
Shaping the future

COASTAL

Part Number /Drawing Title:
**Slave Door /Jamb Side Stile
Door Stile**

Product Range:
Rullo Plus Straight Sliding System

Material: **Timber**

Additional Info:

Date Drawn: 09/02/2021

Drawn By: Phil Walklett

Part Number: N/A

File Name: Rullo_Lock-Section-Drawing.dwg

Revision: A

Drawing Scale: Not to Scale

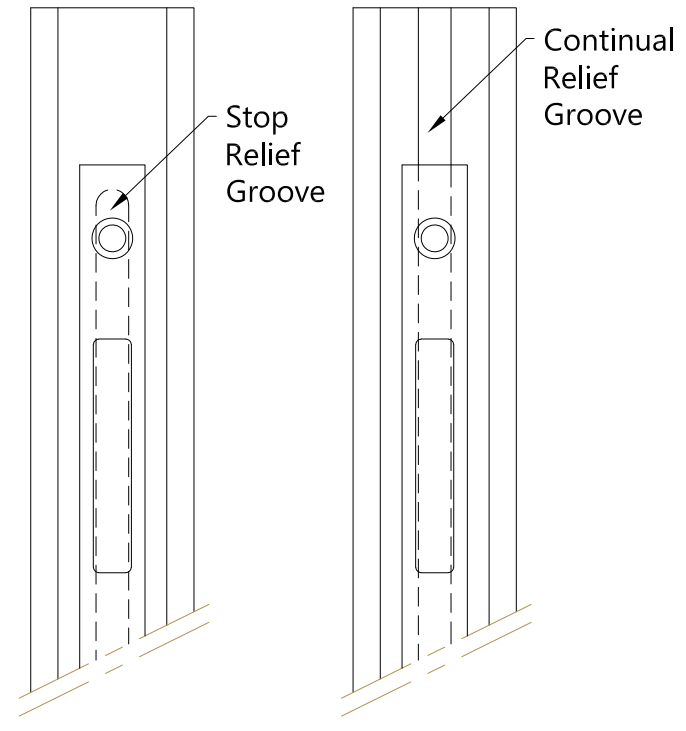
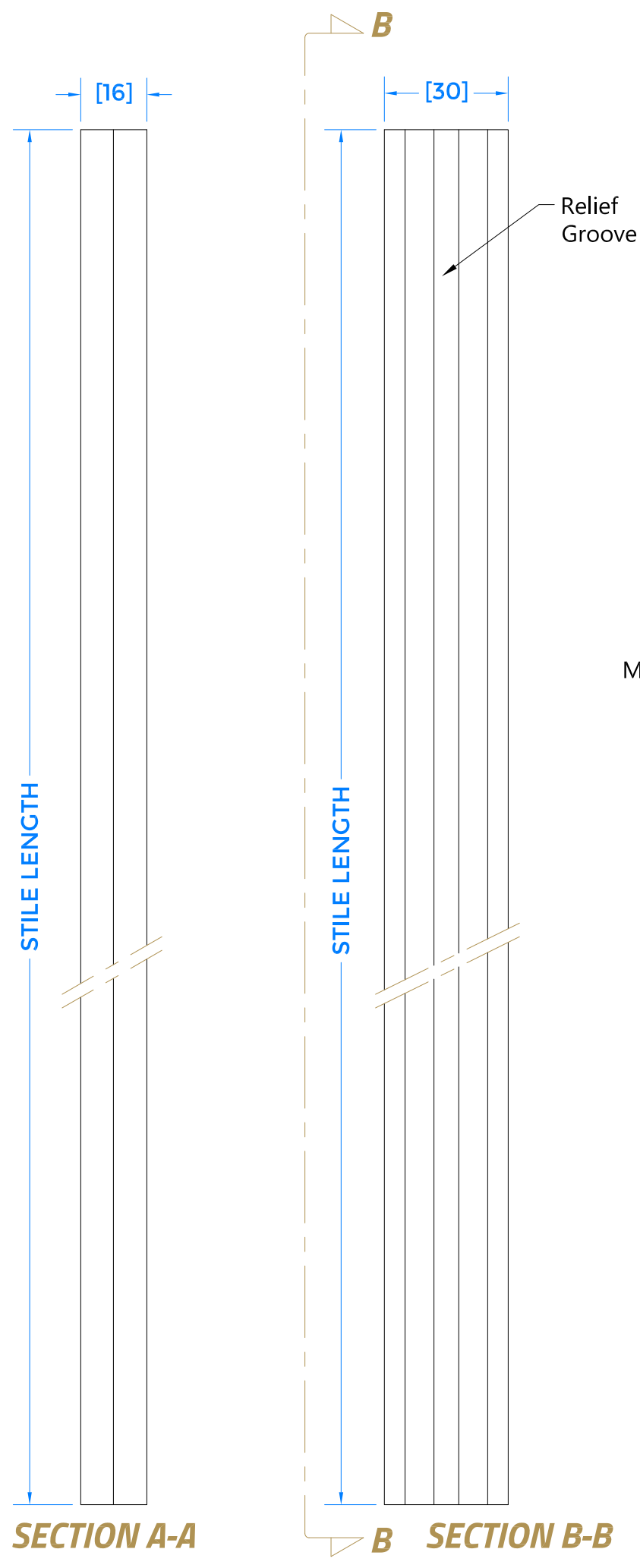
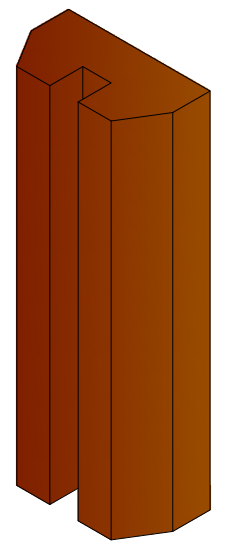
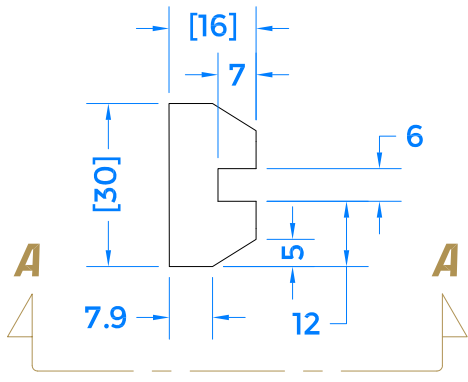
Sheet Number: 1 of 1

THIRD ANGLE PROJECTION

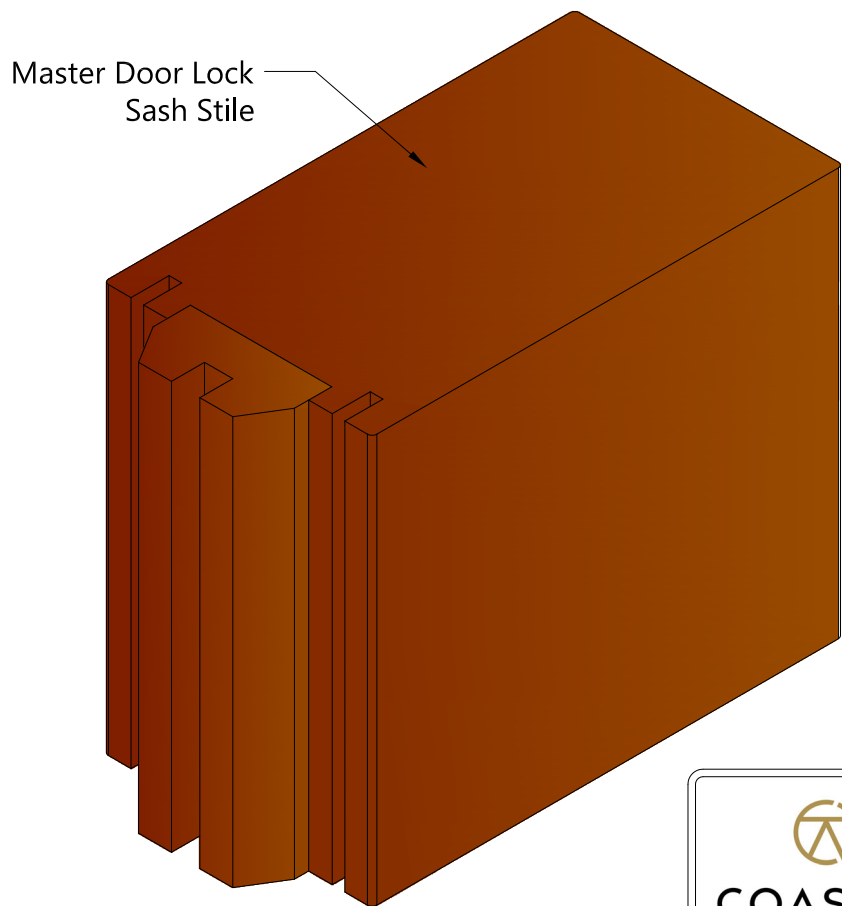
This drawing and specification are the property of Coastal Specialist Ironmongery Ltd. they are issued in strict confidence and shall not be reproduced, copied or used without written permission. E&OE - All dimensions are specified in mm.

REVISION HISTORY		
Revision	Description	Date
A	Release	09/02/21

Slave Door /Jamb Side Stile Keep Fillet



Relief Groove Detail

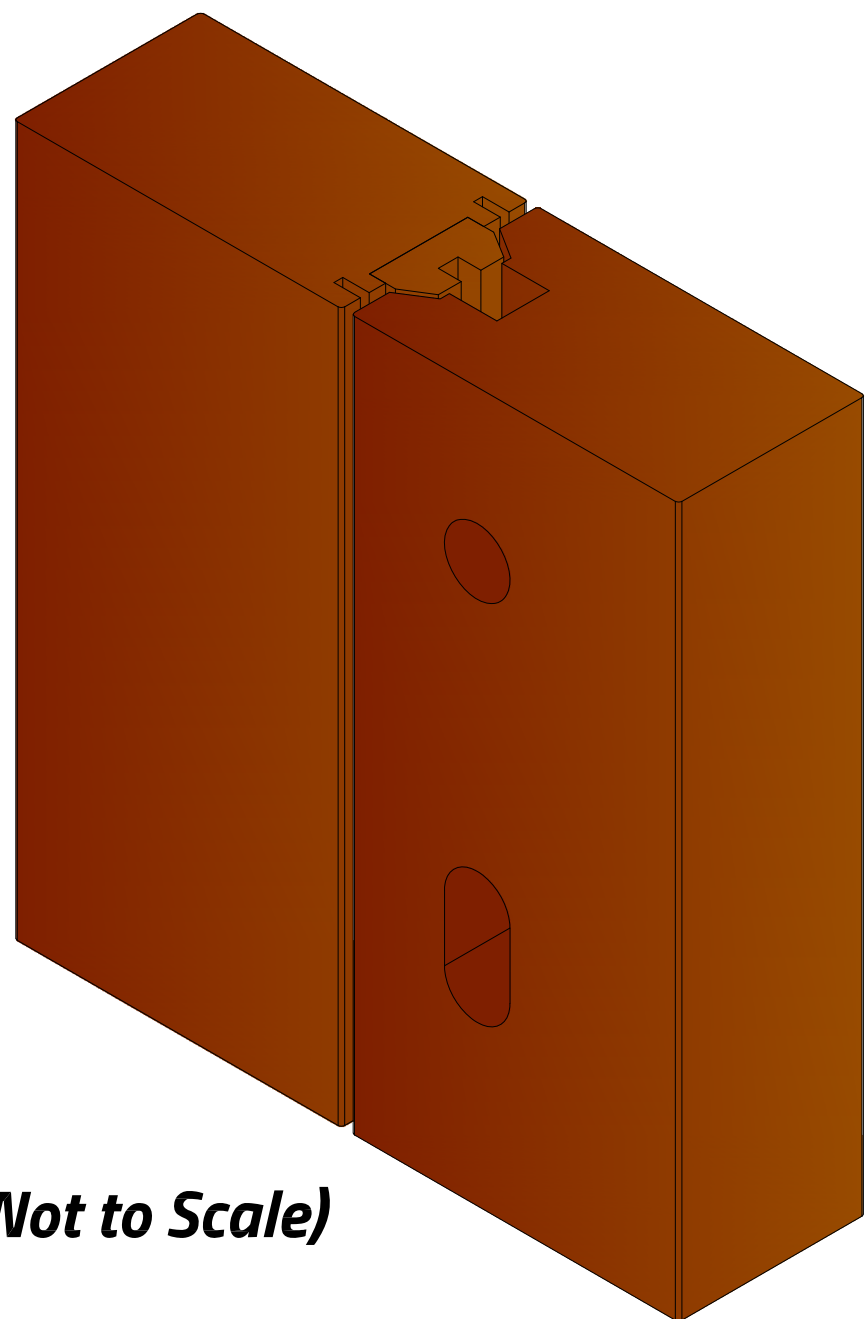
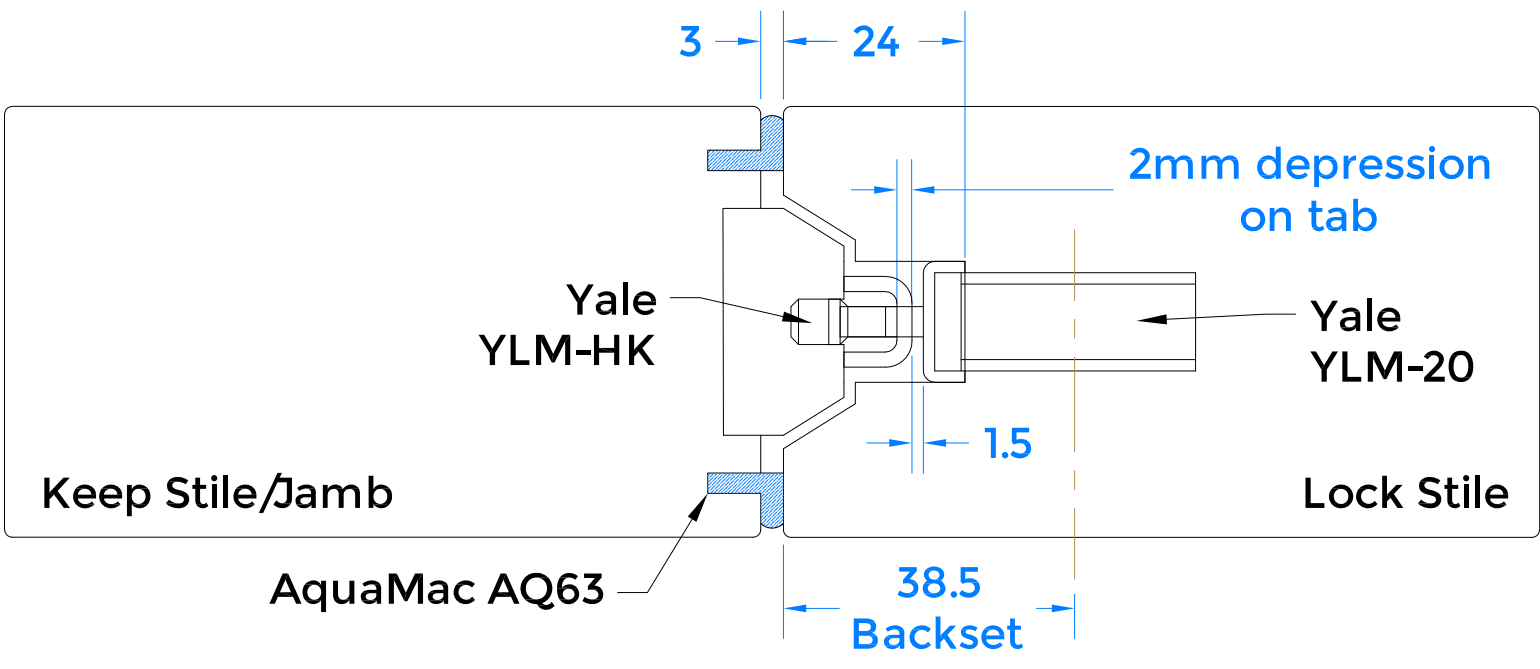


Assembled View

 COASTAL		coastal-group.com <i>Shaping the future</i>
Part Number /Drawing Title: Slave Door /Jamb Side Stile Keep Fillet		
Product Range: Rullo Plus Straight Sliding System		
Material: Timber		
Additional Info:		
Date Drawn: 09/02/2021		
Drawn By: Phil Walklett		
Part Number: N/A		
File Name: Rullo_Lock-Section-Drawing.dwg		
Revision: A		
Drawing Scale: Not to Scale		
Sheet Number: 1 of 1		
THIRD ANGLE PROJECTION 		<small>This drawing and specification are the property of Coastal Specialist Ironmongery Ltd. they are issued in strict confidence and shall not be reproduced, copied or used without written permission. E&OE - All dimensions are specified in mm.</small>

REVISION HISTORY		
Revision	Description	Date
A	Release	09/02/21

Assembled Closed View



Isometric (Not to Scale)



coastal-group.com
Shaping the future

COASTAL

Part Number / Drawing Title:
**Assembled Closed View
Lock Stiles**

Product Range:
Rullo Plus Straight Sliding System

Material: **Timber**

Additional Info:

Date Drawn: **09/02/2021**

Drawn By: **Phil Walklett**

Part Number: **N/A**

File Name: **Rullo_Lock-Section-Drawing.dwg**

Revision: **A**

Drawing Scale: **1:1 @ A3**

Sheet Number: **1 of 1**

THIRD ANGLE PROJECTION



This drawing and specification are the property of Coastal Specialist Ironmongery Ltd. they are issued in strict confidence and shall not be reproduced, copied or used without written permission.
E&OE - All dimensions are specified in mm.