

# COMARINE RANGE ROUND ESCUTCHEON

Product Code: CM102/3

LIT-DC-CM102/3



## *Comarine Hardware Range*

- The CM102 is a round escutcheon suitable for euro profile cylinders
- The CM103 is a round escutcheon with standard keyhole profile suitable for 5 lever locks
- Fixings concealed behind screw-on cover
- Fire door rated
- Manufactured from 316 Marine Grade Stainless Steel

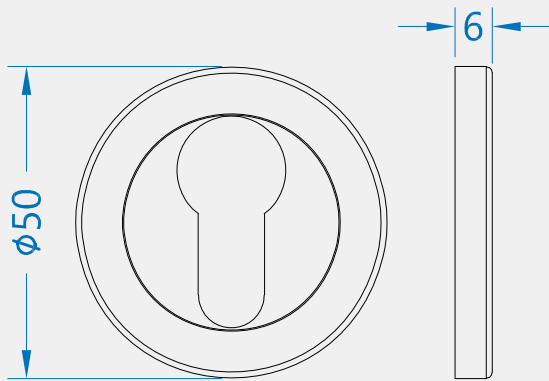


# COASTAL

*Shaping the future.*

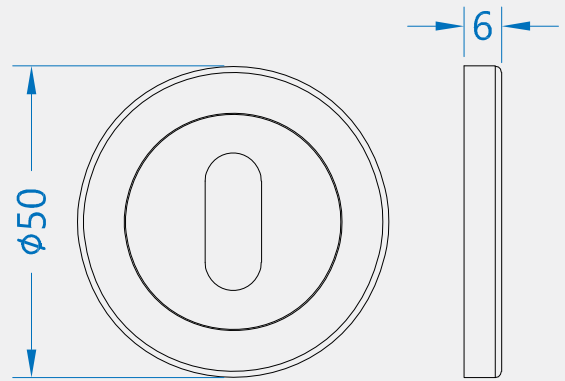
Front Profile CM102

Side Profile CM102



Front Profile CM103

Side Profile CM103



Visit [www.coastal-group.com](http://www.coastal-group.com) for CAD drawings

**FINISHES:**



**SSS**  
Satin Stainless Steel



**PSS**  
Polished Stainless Steel

PART NUMBER	PRODUCT DESCRIPTION	FINISH	UNITS
CM102-SSS	50 x 6mm Escutcheon - Euro profile	<b>SSS</b>	Each
CM102-PSS	50 x 6mm Escutcheon - Euro profile	<b>PSS</b>	Each
CM103-SSS	50 x 6mm Escutcheon - Standard 5 lever profile	<b>SSS</b>	Each
CM103-PSS	50 x 6mm Escutcheon - Standard 5 lever profile	<b>PSS</b>	Each



**COASTAL**

*Shaping the future.*