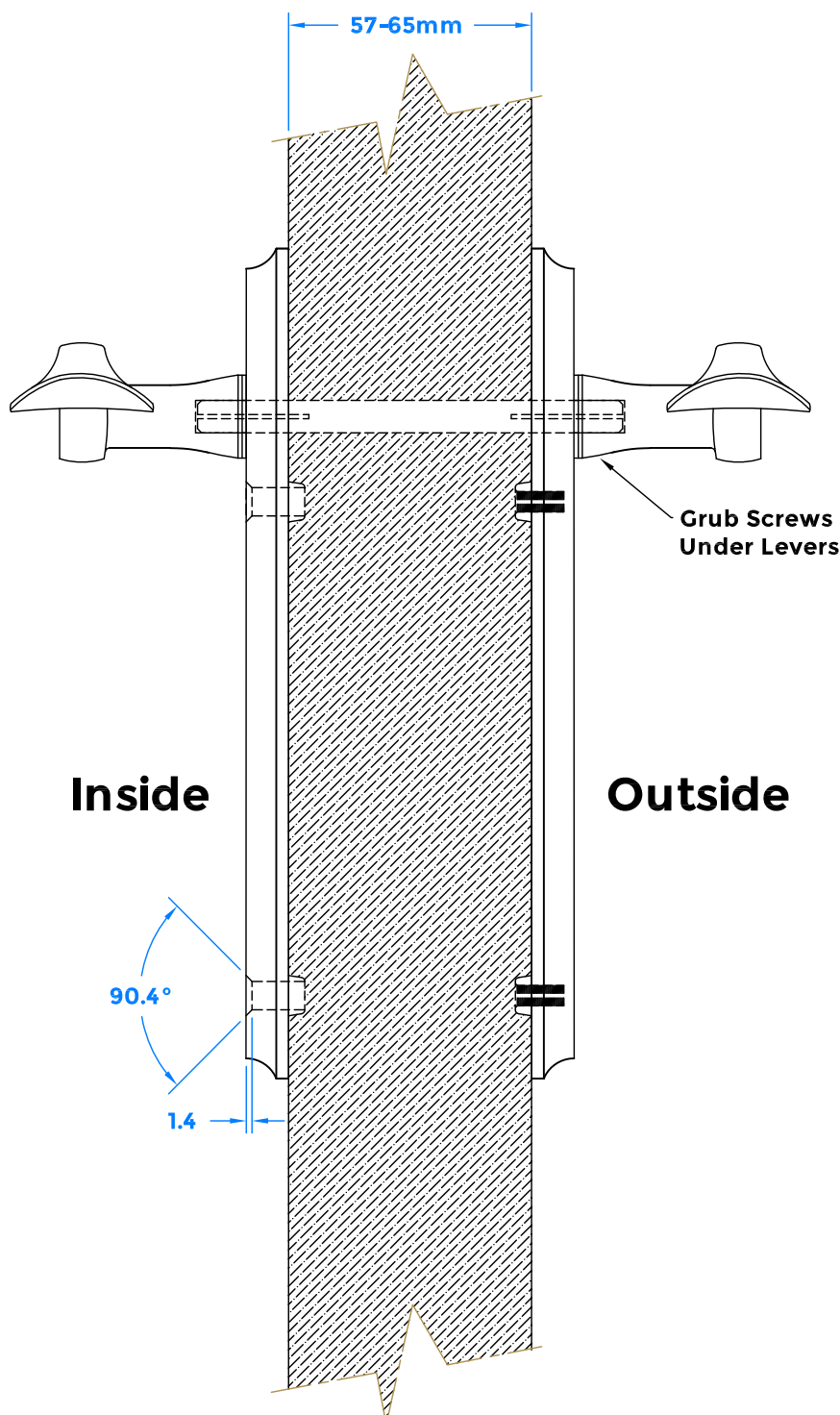


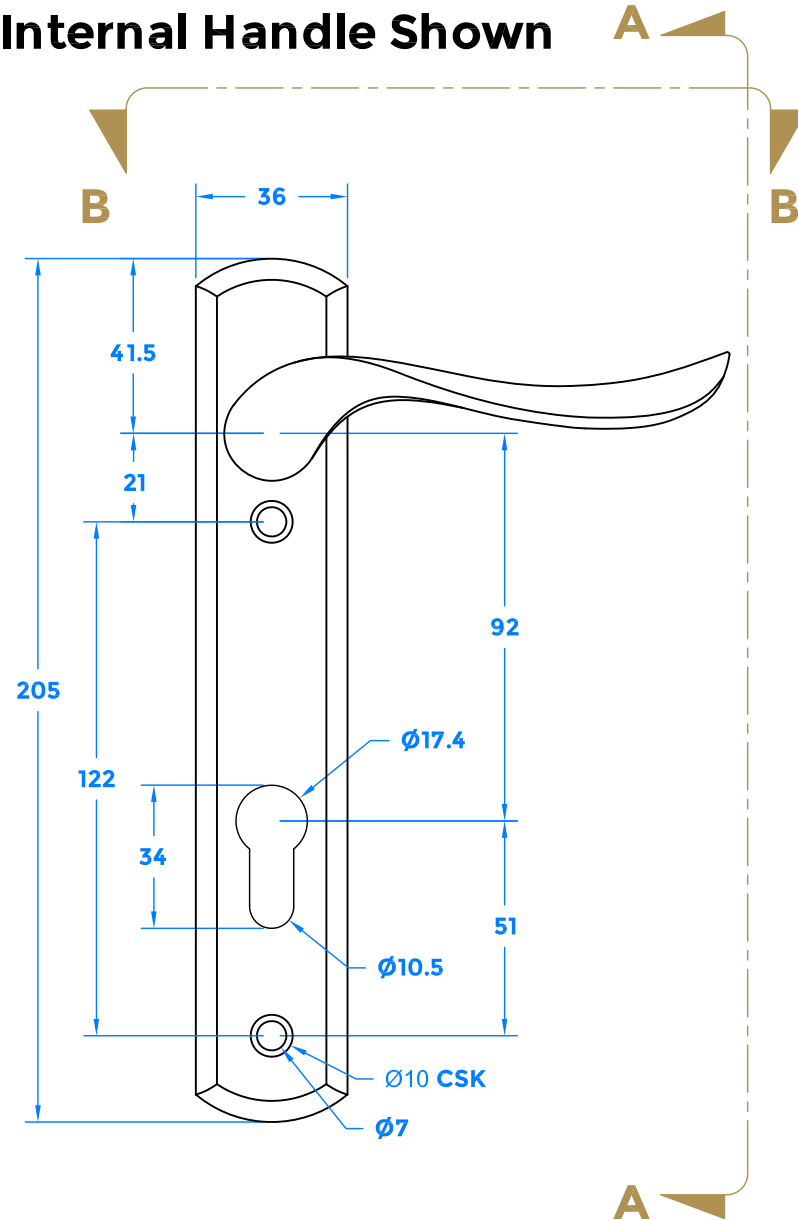
Drawing Revision History		
Revision	Description / Change	Date
A	Release	18/8/2022

Right Hand Shown, Left Hand Opposite



Assembled View

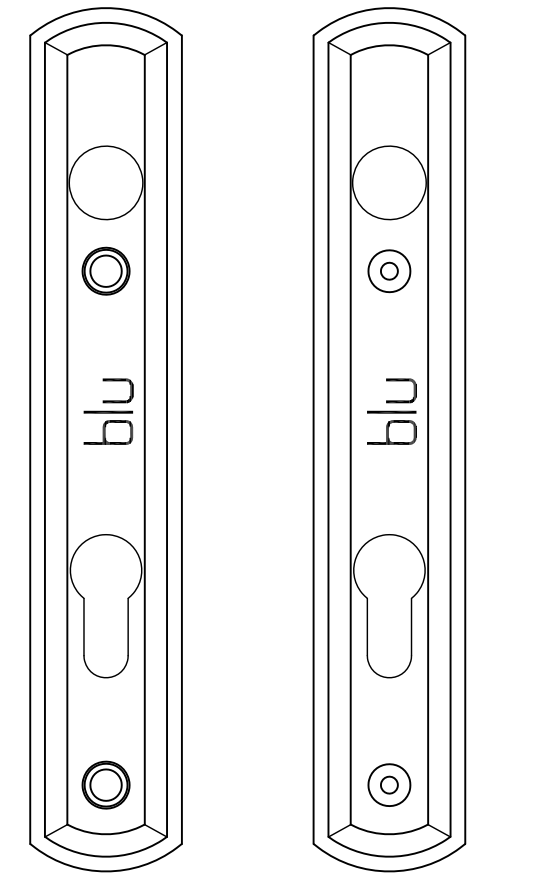
Internal Handle Shown



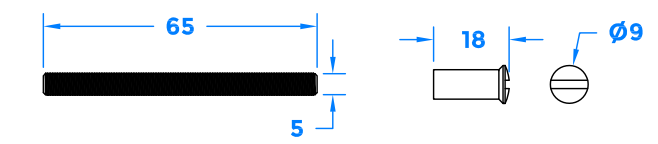
Top View
Section B-B

Section A-A

Reverse of Backplates

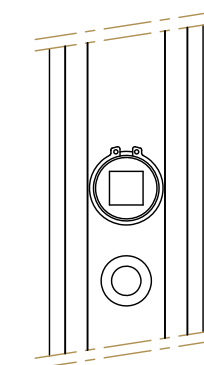


125mm Spindle DC2

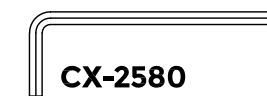


FX391 - Threaded Bar

FX390



Rear View



CX-2580

coastal-group.com
Shaping the future.

COASTAL

Part Number / Drawing Title:
**REG090B-RH
Regent Door Handle on Backplate**

Product Range:
Door Handles

Material: 316 Stainless Steel

Additional Info: Unsprung, RH Shown, LH Opposite

Date Drawn: 18/08/2022

Drawn By: Philip Walklett

Part Number: REG090B-RH

File Name: REG090B-RH.dwg

Revision: A

Drawing Scale: Not to Scale

Sheet Number: 1 of 1

THIRD ANGLE PROJECTION

This drawing and specification are the property of Coastal Specialist Ironmongery Ltd, they are issued in strict confidence and shall not be reproduced, copied or used without written permission.
EAOE - All dimensions are specified in mm.