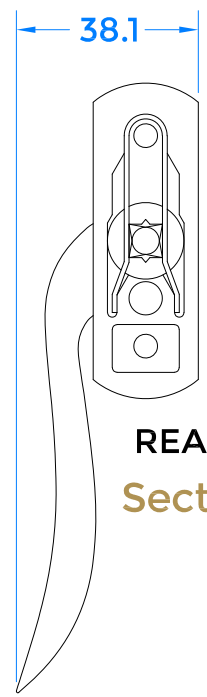
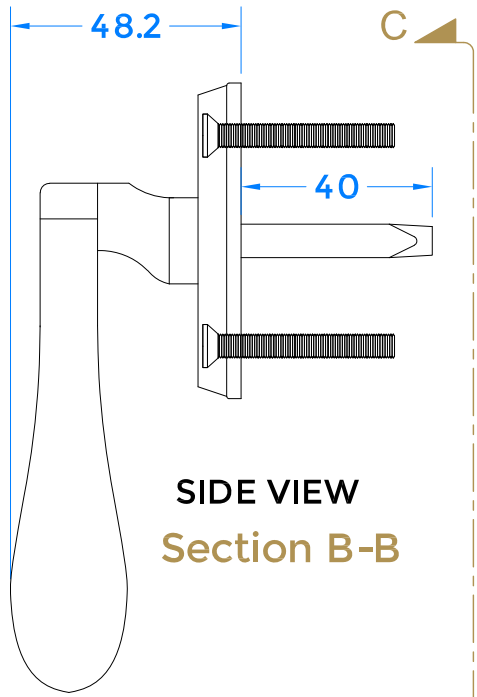


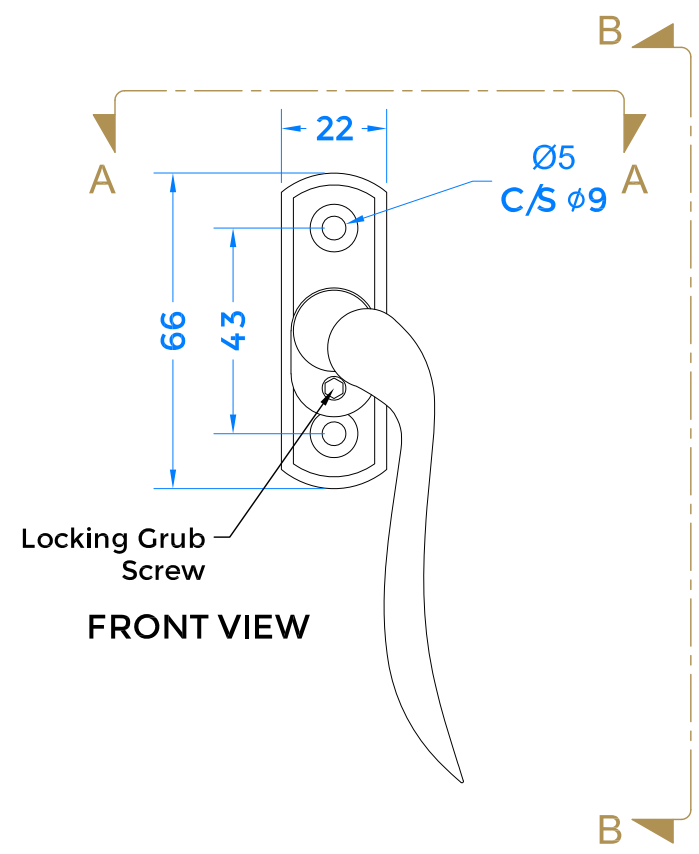
REVISION HISTORY		
Revision	Description	Date
B	Release	16/11/2016
C	Added CX-480 Allen Key to drawing	12/4/2017
D	Amended screw length to 40mm	12/5/2017



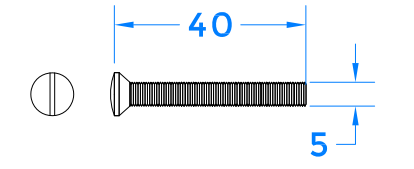
REAR VIEW  
Section C-C



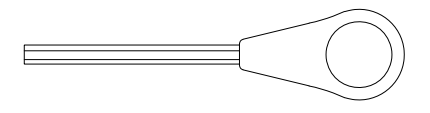
SIDE VIEW  
Section B-B



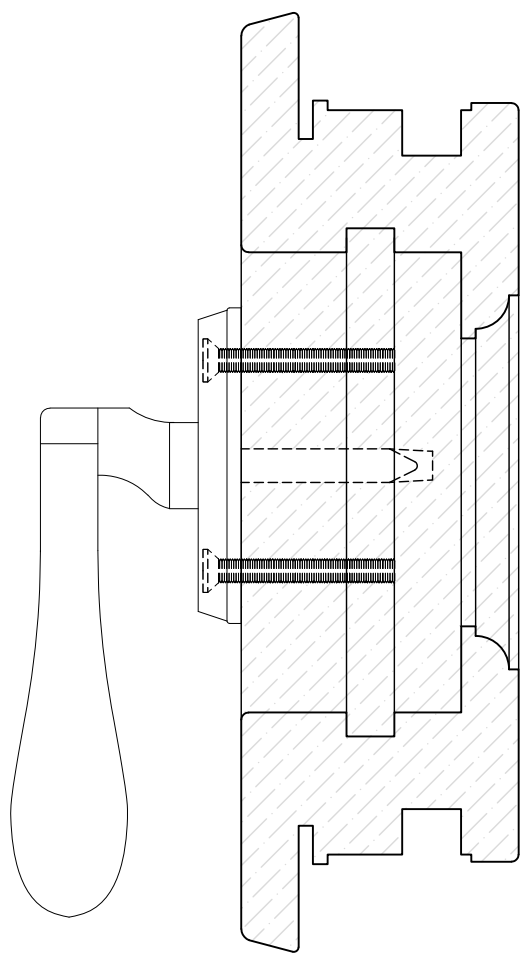
FRONT VIEW



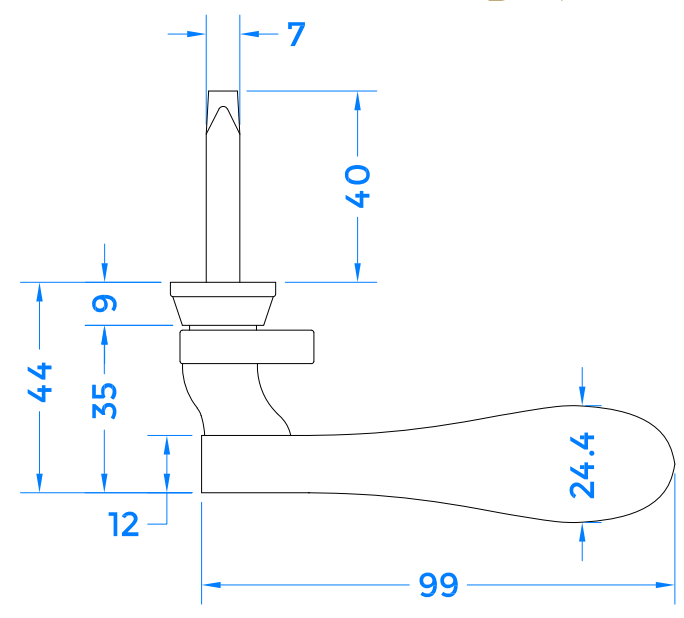
M5 x 40 SLOT HEAD  
MACHINE SCREW



4mm Allen Key  
CX-480



Assembled View



TOP VIEW  
Section A-A

WHATS INCLUDED IN THE BOX	
QTY	DESCRIPTION
1	RH ESPAG HANDLE
2	M5 x 40MM FIXING BOLTS
1	CX-480 4MM GRUB SCREW ALLEN KEY



coastal-group.com  
*Shaping the future*

**COASTAL**

Part Number / Drawing Title:  
**REG020B**  
**Regent Espag Window Handle**

Product Range:  
Window Espagnolette Handles

Material: **316 Grade Stainless Steel**

Additional Info: **Righ Hand Shown, Left Hand Opposite**

Date Drawn: 12/05/2017

Drawn By: Philip Walklett

Part Number: REG020B-RH-316

File Name: REG020B-RH-316.dwg

Revision: 0

Drawing Scale: Not to Scale

Sheet Number: 1 of 1

THIRD ANGLE PROJECTION

This drawing and specification are the property of Coastal Specialist Ironmongery Ltd, they are issued in strict confidence and shall not be reproduced, copied or used without written permission. E&OE - All dimensions are specified in mm.