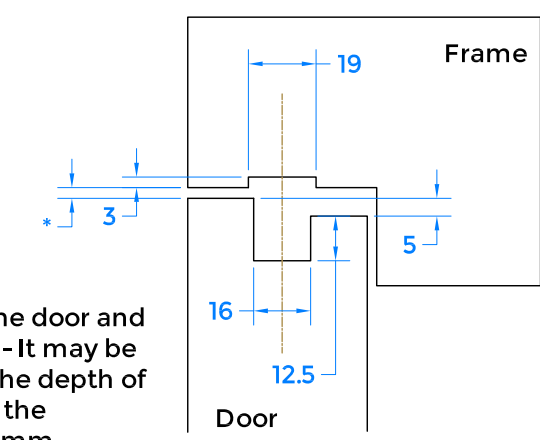
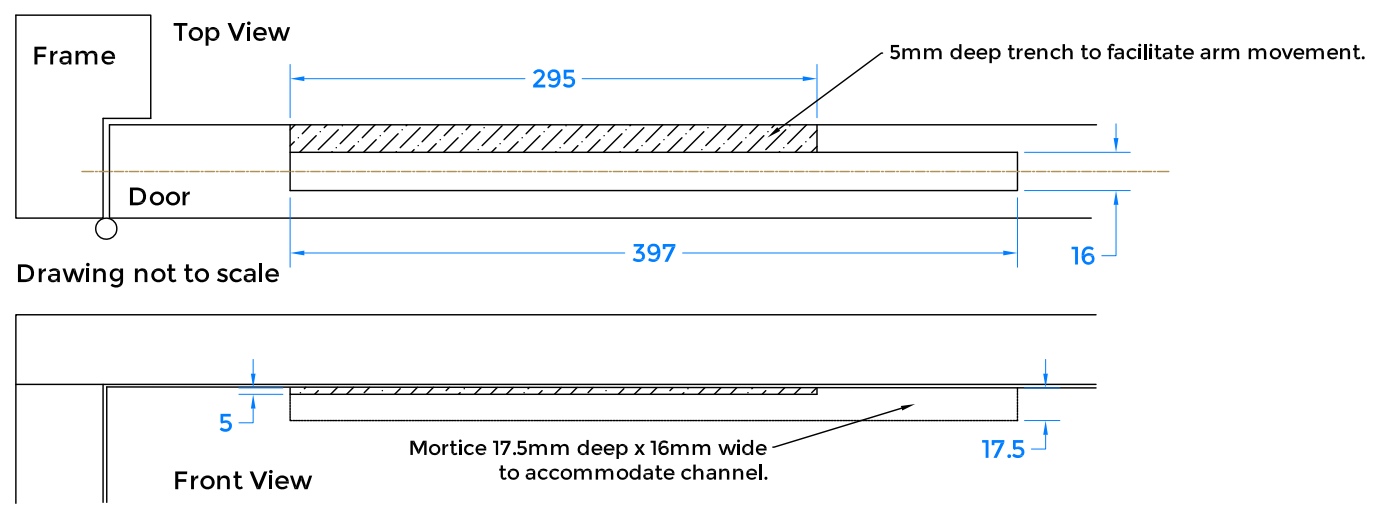
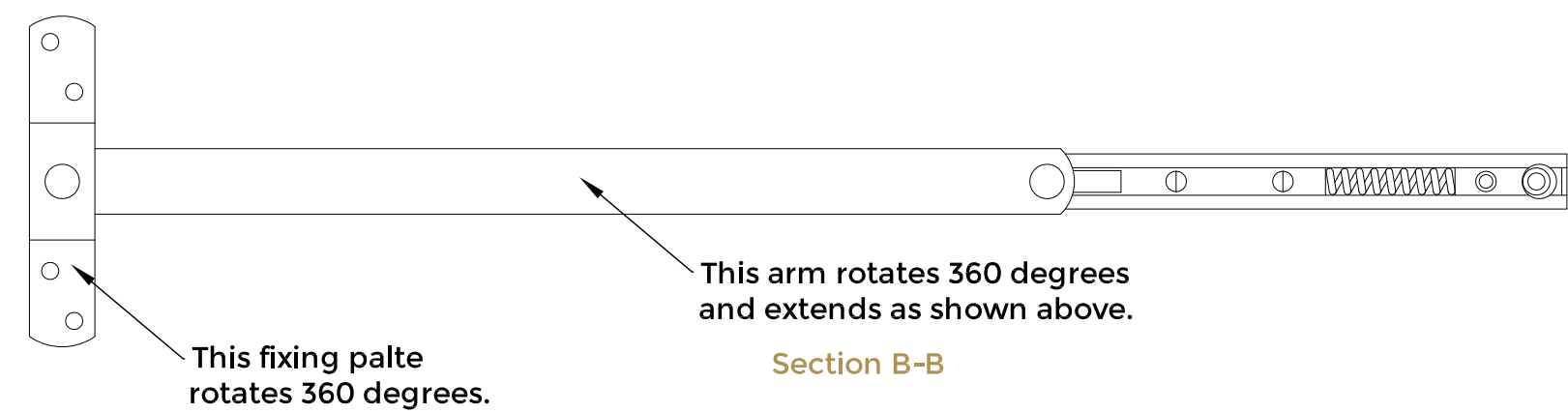
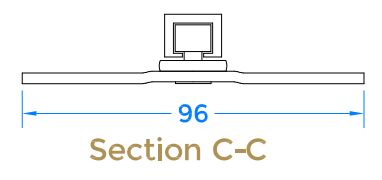
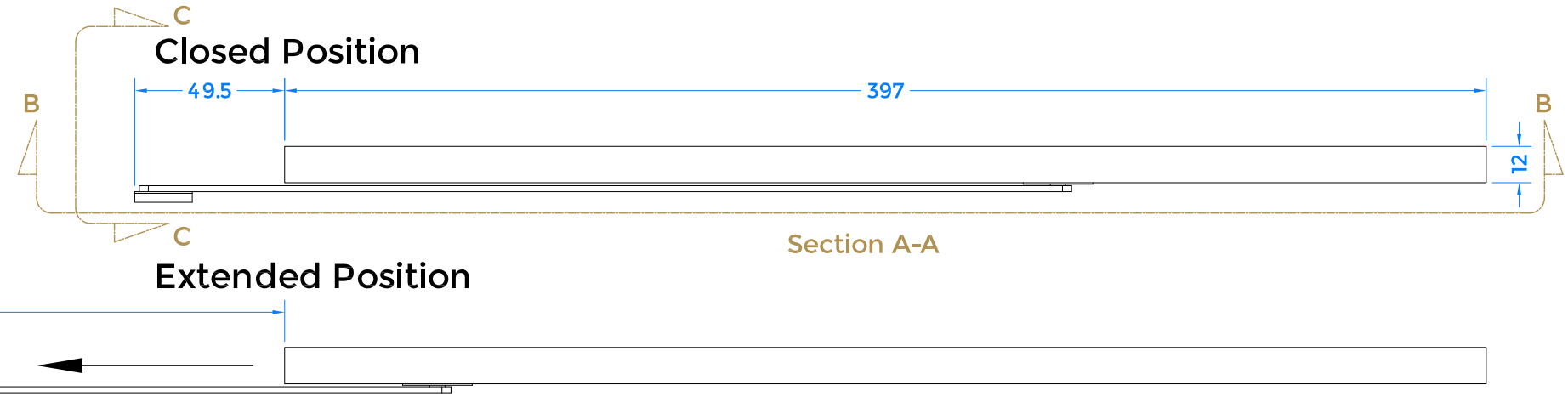
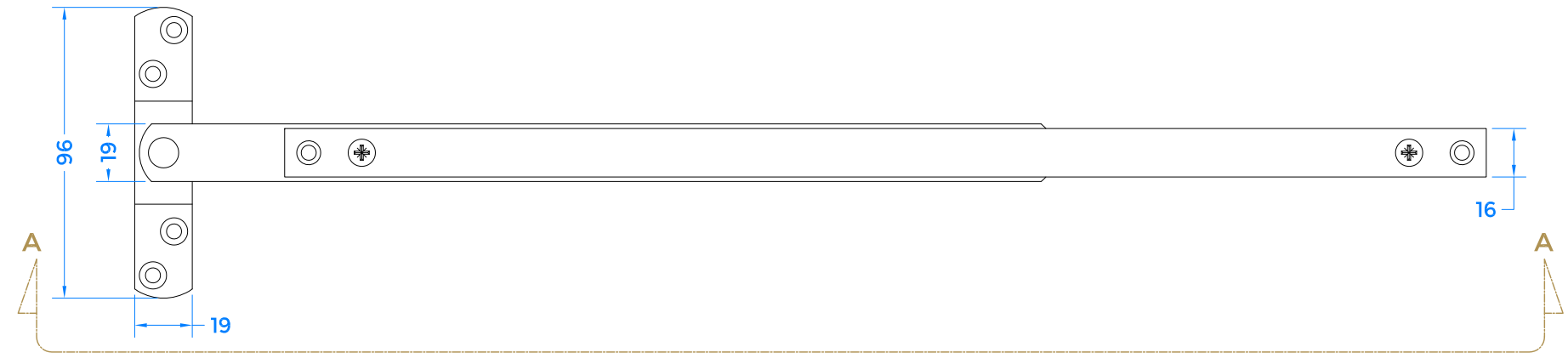


REVISION HISTORY		
Revision	Description	Date
A	Release	8/12/2017



* Clearance between the door and frame should be 3mm - It may be necessary to increase the depth of mortise channel when the clearance is less than 3mm.

coastal-group.com
Shaping the future

COASTAL

Part Number / Drawing Title:
RS6095 - Heavy Duty Sprung Concealed Door Restrictor

Product Range:
Door Products

Material:	Aluminium / Silver Passivated
Additional Info:	90 Degree Opening
Date Drawn:	08/12/2017
Drawn By:	Philip Walklett
Part Number:	RS6095
File Name:	RS6095.dwg
Revision:	A
Drawing Scale:	Not to Scale
Sheet Number:	1 of 1

THIRD ANGLE PROJECTION

This drawing and specification are the property of Coastal Specialist Ironmongery Ltd, they are issued in strict confidence and shall not be reproduced, copied or used without written permission. E&OE - All dimensions are specified in mm.

8 Din A3 - Landscape