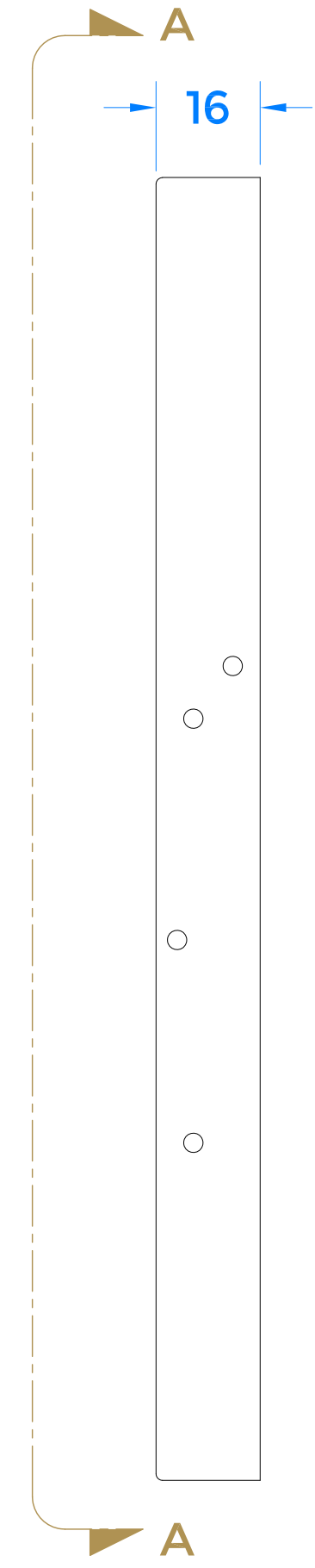
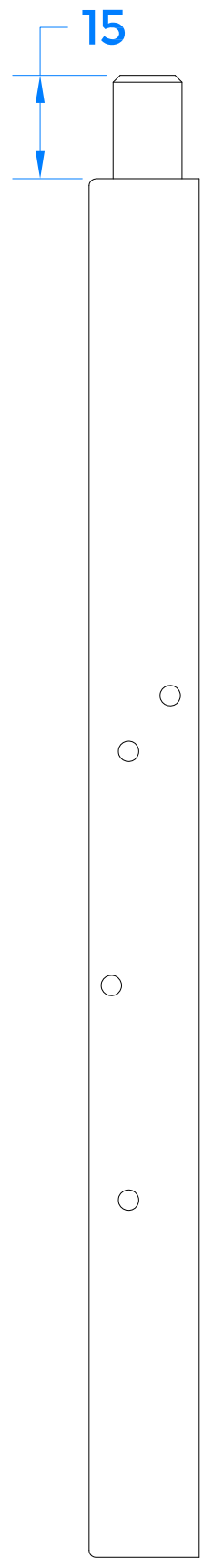


REVISION HISTORY		
Revision	Description	Date
A	Release	8/11/2017
B	Updated flat plate keep size	2/12/2020

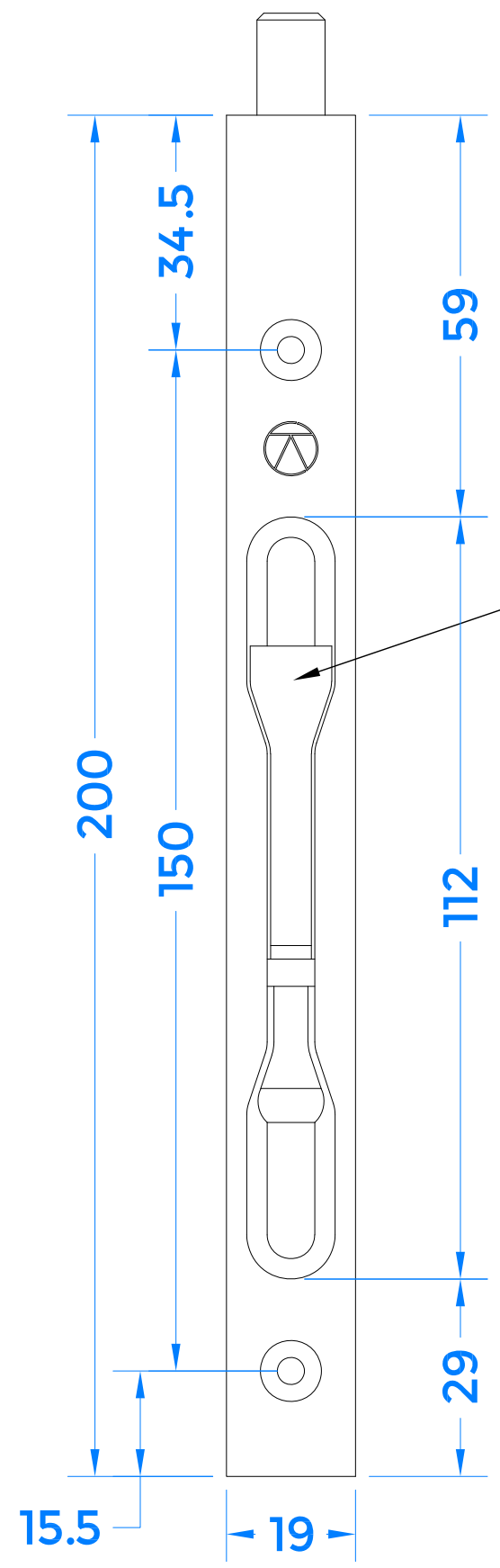


Closed

Flush Bolt

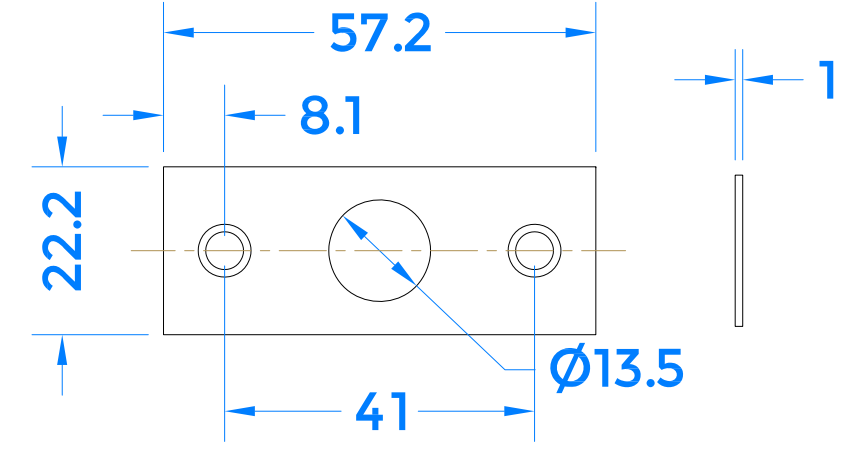
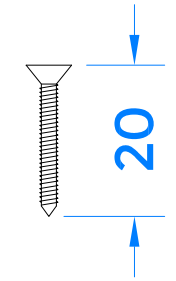


Open (Fired)



Section A-A

Flip lever to fire bolt.



Flat Plate Keep



coastal-group.com
Shaping the future

COASTAL

Part Number / Drawing Title:
FBL8-316
Box Flush Bolt

Product Range:
Door Products

Material: **316 Stainless Steel**

Additional Info:

Date Drawn: 02/12/2020

Drawn By: Philip Walklett

Part Number: FBL8-316

File Name: FBL8-316.dwg

Revision: B

Drawing Scale: 1:1@A3

Sheet Number: 1 of 1

THIRD ANGLE PROJECTION

This drawing and specification are the property of Coastal Specialist Ironmongery Ltd, they are issued in strict confidence and shall not be reproduced, copied or used without written permission. E&OE - All dimensions are specified in mm.