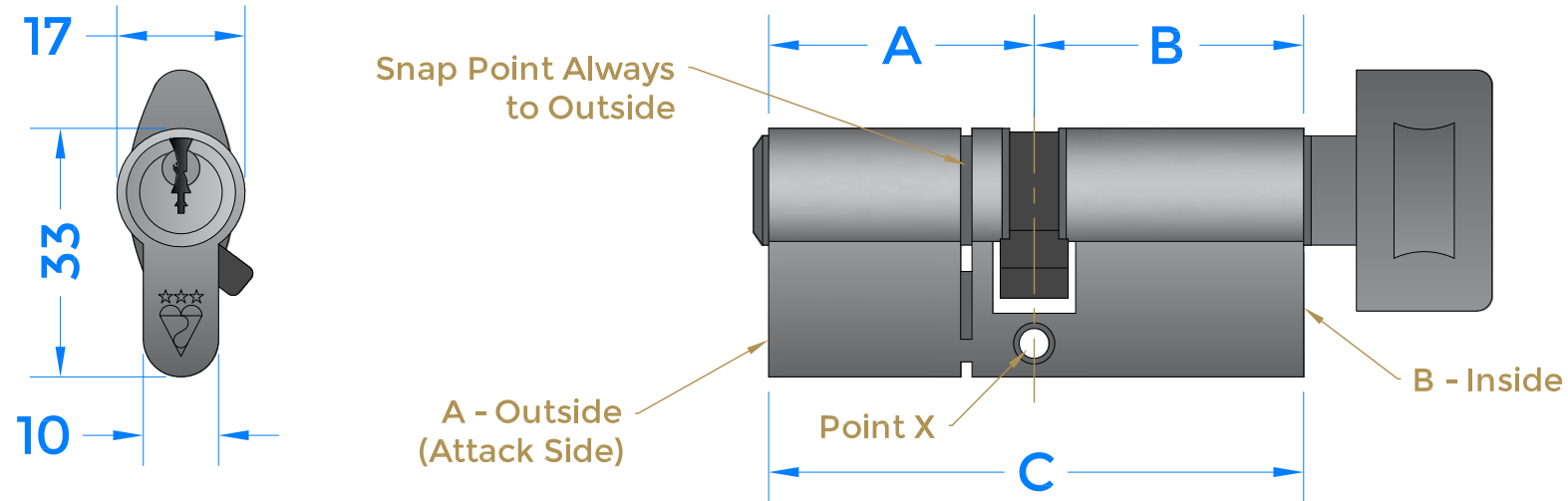


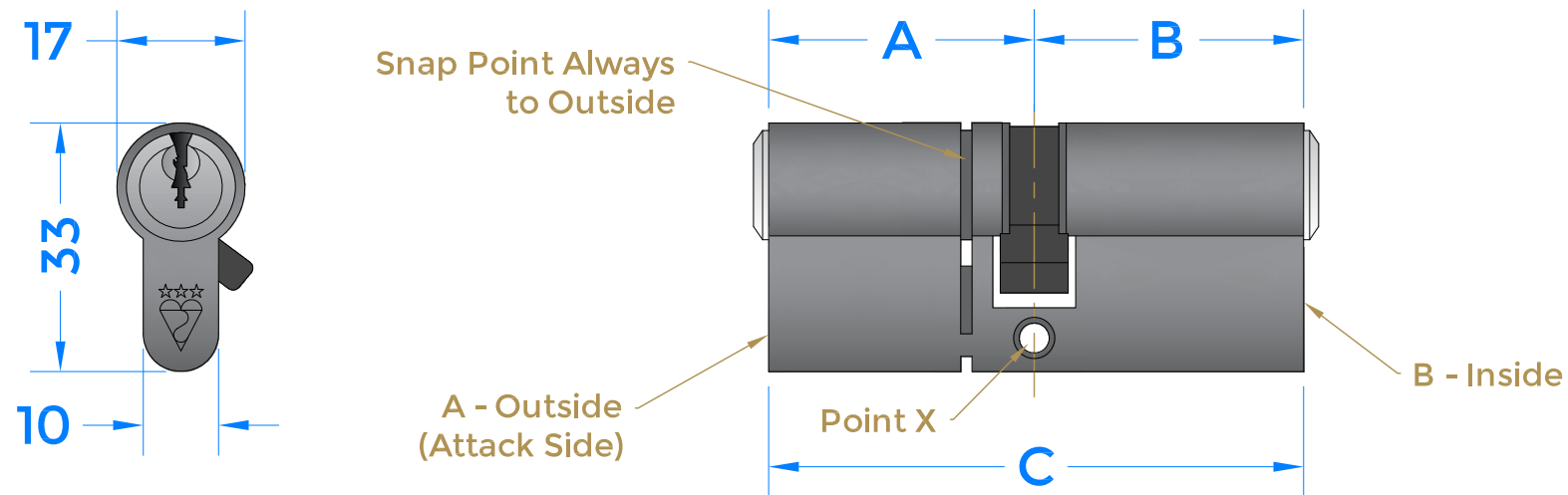
REVISION HISTORY		
Revision	Description	Date
A	Release	24/2/2021

Euro Profile Cylinder - Measuring Size Guide.

Thumb Turn /Key Cylinder



Key /Key Double Cylinder



Note: Cylinder part numbers explained:

Example: **KPD4535-KTD-NK**
 KPD (Double Cylinder) - 45 (Attack Side) - 35 (Inside) - KTD (Keyed to Differ) - NK (Nickel)

Example: **KPT3545-RKA-SB**
 KPT (Thumb Turn Cylinder) - 35 (Attack Side Key) - 45 (Inside Thumb) - RKA (Random Keyed Alike) - SB (Satin Brass)

Measurement of A + B Should Always = C

Cylinder Removal

- Remove the screw which passes from the door edge into the cylinder at Point X.
- Turn the key to align the cam with the body.
- Slide the cylinder out to the inside.

If a Euro Cylinder with Thumb Turn is fitted, there is no need to insert a key, just rotate the turn knob and slide the cylinder out to the turn knob side.

If the cylinder is tight and will not move you may need to loose the door furniture and/or locking mechanism to facilitate the removal of the cylinder.

Cylinder Measurement

Using the diagram to the left as a guide, take the measurement of A, B and C, the sum of A plus B should always equal C.

Measurement of A (Attack Side): _____ mm.

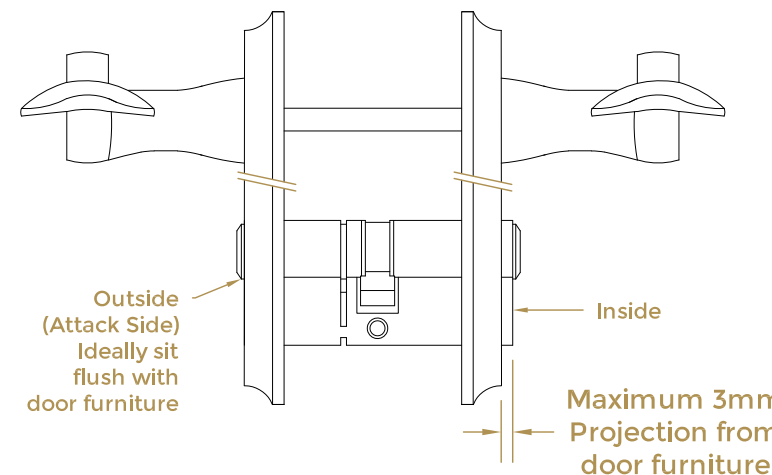
Measurement of B: (Inside): _____ mm.


Measurement of C: (Overall Size): _____ mm.

Ideally the cylinder should fit flush with the door furniture/escutcheon. This is not always possible, but in all cases it should not project more than 3mm outwards from the furniture.

Cylinder Fitting

- Align the cam with the cylinder's body by turning the key.
- Slide the cylinder in from the key side.
- Replace the screw which passes from the door edge into the cylinder at Point X.





coastal-group.com
Shaping the future

COASTAL

Part Number / Drawing Title:
Euro Profile Cylinder Measuring & Sizing Guide

Product Range:
Door Products

Material:	N/A
Additional Info:	Applicable for both 1 Star & 3 Star
Date Drawn:	24/02/2021
Drawn By:	Phillip Walklett
Part Number:	GZD / GZT / KPD / KPT
File Name:	Cylinder-Guide.dwg
Revision:	C
Drawing Scale:	1:1 @ A3
Sheet Number:	1 of 1

THIRD ANGLE PROJECTION

This drawing and specification are the property of Coastal Specialist Ironmongery Ltd, they are issued in strict confidence and shall not be reproduced, copied or used without written permission. E&OE - All dimensions are specified in mm.