

# GLACE RANGE

## SASH RING - BASE PLATE FIX

Product Code: GL20

LIT-DC-GL20



### *Solid Brass Range*

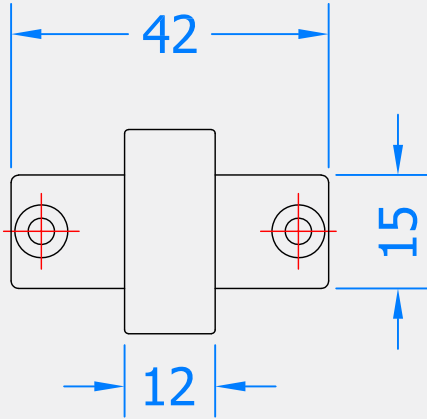
- High quality sash ring pull for Georgian vertical sliding box sash windows
- Base plate fix version is ideal for lifting larger, heavier sashes



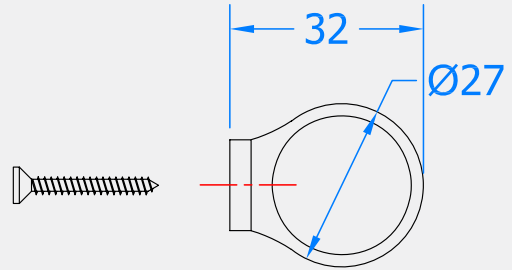
# COASTAL

*Shaping the future.*

Front Profile



Top Profile



Visit [www.coastal-group.com](http://www.coastal-group.com) for CAD drawings

FINISHES:



**SC**  
Satin Chrome



**CP**  
Polished Chrome



**BP**  
Polished Brass



**ORZ**  
Oil Rubbed Bronze

PART NUMBER	PRODUCT DESCRIPTION	FINISH	UNITS
GL20-SC	Sash ring - base plate fix	<b>SC</b>	Each
GL20-CP	Sash ring - base plate fix	<b>CP</b>	Each
GL20-BP	Sash ring - base plate fix	<b>BP</b>	Each
GL20-ORZ	Sash ring - base plate fix	<b>ORZ</b>	Each



**COASTAL**

*Shaping the future.*