

GLACE RANGE SASH LIFT

Product Code: GL50

LIT-DC-GL50



Solid Brass Range

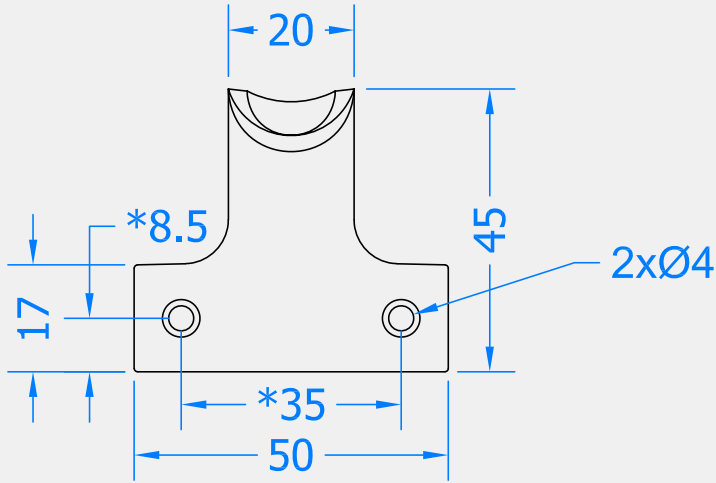
- High quality sash lift for vertical sliding box sash windows
- Fitted to the bottom of the sash to lift the window up
- Features an indented ergonomic design for comfort and period styling
- Manufactured from solid brass
- Successfully used in our Part Q Test



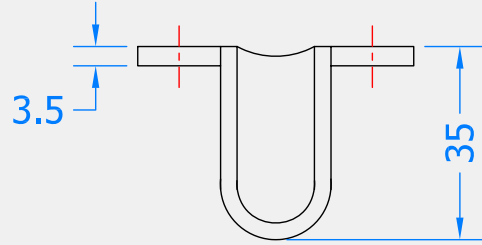
COASTAL

Shaping the future.

Front Profile



Top Profile



Visit www.coastal-group.com for CAD drawings

FINISHES:



SC
Satin Chrome



CP
Polished Chrome



SB
Satin Brass



BP
Polished Brass



ORZ
Oil Rubbed Bronze

PART NUMBER	PRODUCT DESCRIPTION	FINISH	UNITS
GL50-SC	Architectural sash lift	SC	Each
GL50-CP	Architectural sash lift	CP	Each
GL50-SB	Architectural sash lift	SB	Each
GL50-BP	Architectural sash lift	BP	Each
GL50-ORZ	Architectural sash lift	ORZ	Each



COASTAL

Shaping the future.