

GLACE RANGE FITCH TYPE SASH FASTENER

Product Code: GL60L

LIT-DC-GL60L



Solid Brass Range

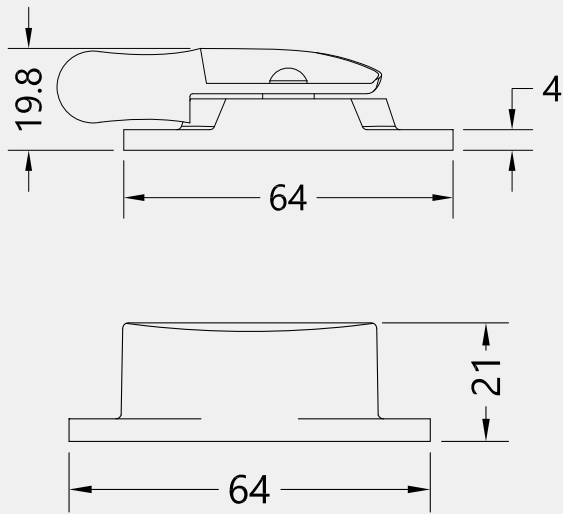
- High quality Fitch Fastener for sliding sash windows
- Lockable for enhanced security
- The Fitch Fastener is ideal if you only have limited space on the top rail of your sash
- Designed to pull, lift and align together the top and bottom meeting rails



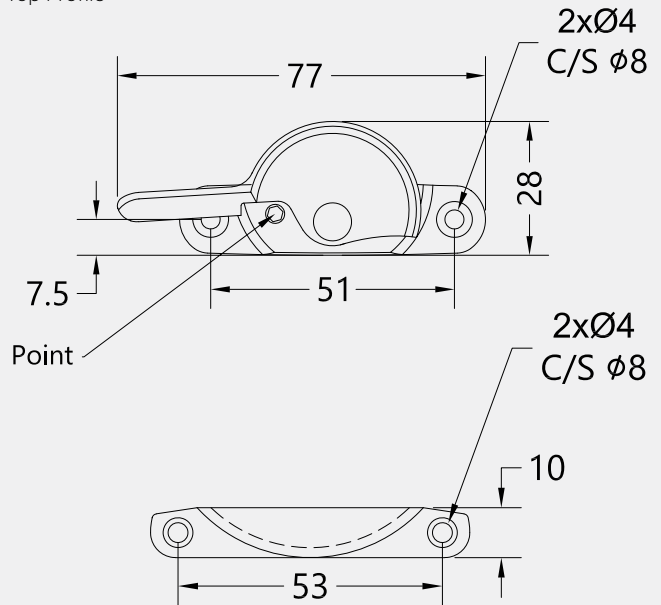
COASTAL

Shaping the future.

Front Profile



Top Profile



Visit www.coastal-group.com for CAD drawings

FINISHES:



SC
Satin Chrome



CP
Polished Chrome



SB
Satin Brass



BP
Polished Brass



ORZ
Oil Rubbed Bronze

PART NUMBER	PRODUCT DESCRIPTION	FINISH	UNITS
GL60L-SC	Lockable fitch fastener	SC	Each
GL60L-CP	Lockable fitch fastener	CP	Each
GL60L-SB	Lockable fitch fastener	SB	Each
GL60L-BP	Lockable fitch fastener	BP	Each
GL60L-ORZ	Lockable fitch fastener	ORZ	Each



COASTAL

Shaping the future.