

# FLUSH INTEGRAL SASH STOP ON BACK PLATE

Product Code: SWS30

LIT-DC-SWS30

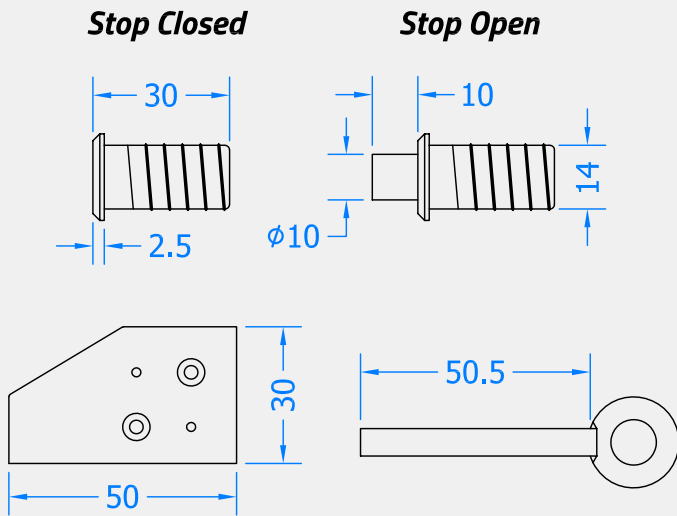


## *Solid Brass Range*

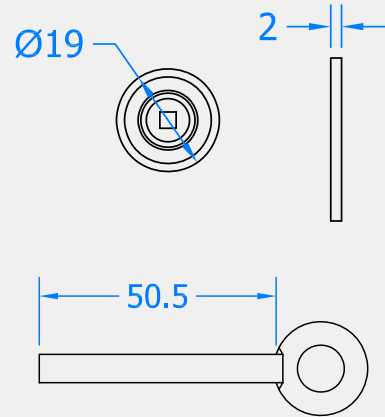
- Flush integral retractable sash stop/lock for sliding sash windows
- These sash stops fit to the top sash allowing the window to be opened for ventilation without passing bottom sash
- Conforms to most British Insurance Standards
- Key winds projecting part in and out
- Successfully used in our Part Q Test



Front Profile



Top Profile



Visit [www.coastal-group.com](http://www.coastal-group.com) for CAD drawings

FINISHES:



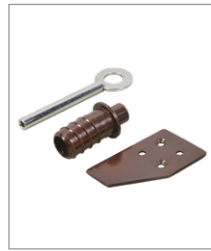
**SC**  
Satin Chrome



**PC**  
Polished Chrome



**BP**  
Polished Brass



**ORZ**  
Oil Rubbed Bronze

PART NUMBER	PRODUCT DESCRIPTION	FINISH	UNITS
SWS30-SC	30mm Flush sash stop with key	<b>SC</b>	Each
SWS30-PC	30mm Flush sash stop with key	<b>PC</b>	Each
SWS30-BP	30mm Flush sash stop with key	<b>BP</b>	Each
SWS30-ORZ	30mm Flush sash stop with key	<b>ORZ</b>	Each