

# GLACE RANGE BALL BEARING SASH PULLEY

Product Code: SPS70/R70

LIT-DC-SPS70/R70



## *Sliding Sash Range*

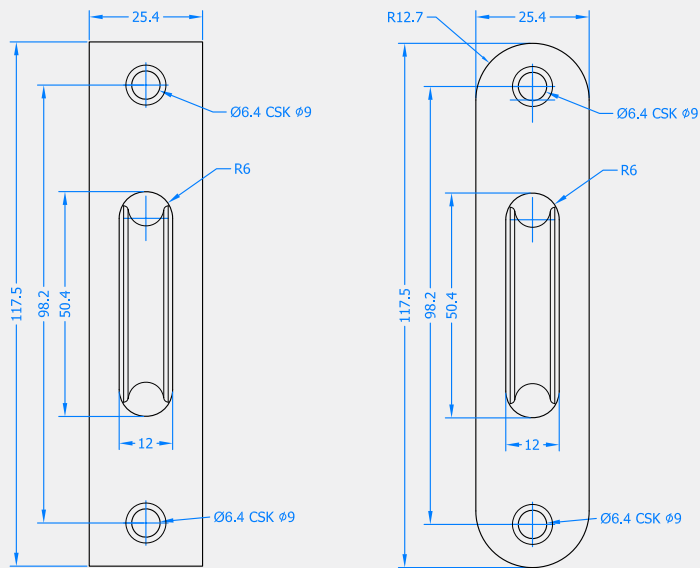
- High quality 44.5mm (1 3/4") ball bearing sash pulley
- High quality ball bearings provide a smooth rolling operation
- 75kg weight capacity
- Available with square or radius ends
- Successfully used in our Part Q Test



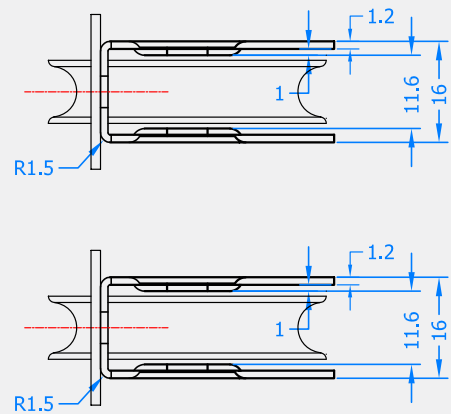
# COASTAL

*Shaping the future.*

Front Profile



Top Profile



Visit [www.coastal-group.com](http://www.coastal-group.com) for CAD drawings

FINISHES:



**SC**  
Satin Chrome



**CP**  
Polished Chrome



**PB**  
Polished Brass



**ORZ**  
Polished Brass

PART NUMBER	PRODUCT DESCRIPTION	FINISH	UNITS
SPS70-SC	Ball bearing pulley - Square end	<b>SC</b>	Each
SPS70-CP	Ball bearing pulley - Square end	<b>CP</b>	Each
SPS70-PB	Ball bearing pulley - Square end	<b>PB</b>	Each
SPS70-ORZ	Ball bearing pulley - Square end	<b>ORZ</b>	Each
SPR70-SC	Ball bearing pulley - Radius end	<b>SC</b>	Each
SPR70-CP	Ball bearing pulley - Radius end	<b>CP</b>	Each
SPR70-PB	Ball bearing pulley - Radius end	<b>PB</b>	Each
SPR70-ORZ	Ball bearing pulley - Radius end	<b>ORZ</b>	Each



**COASTAL**

*Shaping the future.*