

ACORN SECURITY CAM FASTENER & KEEP

Product Code: SF34F/34K-SBD

LIT-DC-SF34F/34K-SBD



Solid Brass Range

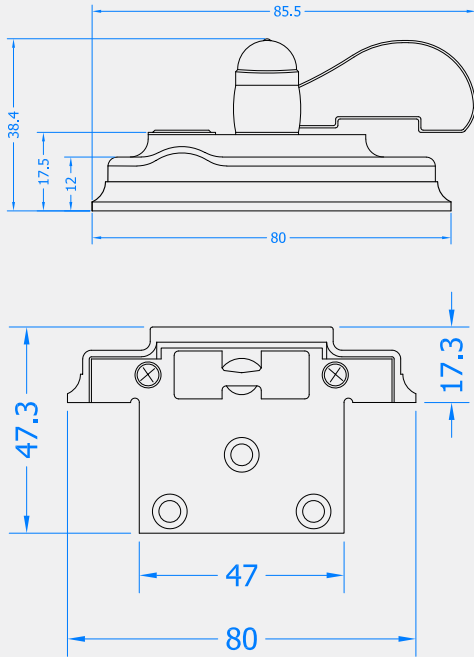
- Acorn Security Cam Fastener Lock for sliding sash windows
- Engineered for strength with additional fixing points and key deadlocking for enhanced security
- Combine with SF34K-SBD security keep to achieve a PAS 24:2012 compatible window
- Meets the requirements of BS EN 1670:2007 Grade 5 Corrosion Resistance (480 hours)
- Designed to pull, lift and align together the top and bottom meeting rails



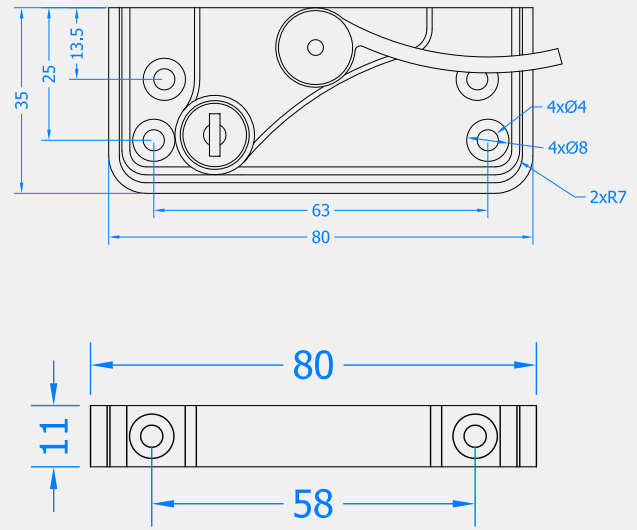
COASTAL

Shaping the future.

Front Profile



Top Profile



Visit www.coastal-group.com for CAD drawings

FINISHES:



SC
Satin Chrome



CP
Polished Chrome



PB
Polished Brass

PART NUMBER	PRODUCT DESCRIPTION	FINISH	UNITS
SF34F-SBD-SC	Acorn lockable cam fastener	SC	Each
SF34F-SBD-CP	Acorn lockable cam fastener	CP	Each
SF34F-SBD-PB	Acorn lockable cam fastener	PB	Each
SF34K-SBD-SC	SBD Security cam keep	SC	Each
SF34K-SBD-CP	SBD Security cam keep	CP	Each
SF34K-SBD-PB	SBD Security cam keep	PB	Each



COASTAL

Shaping the future.