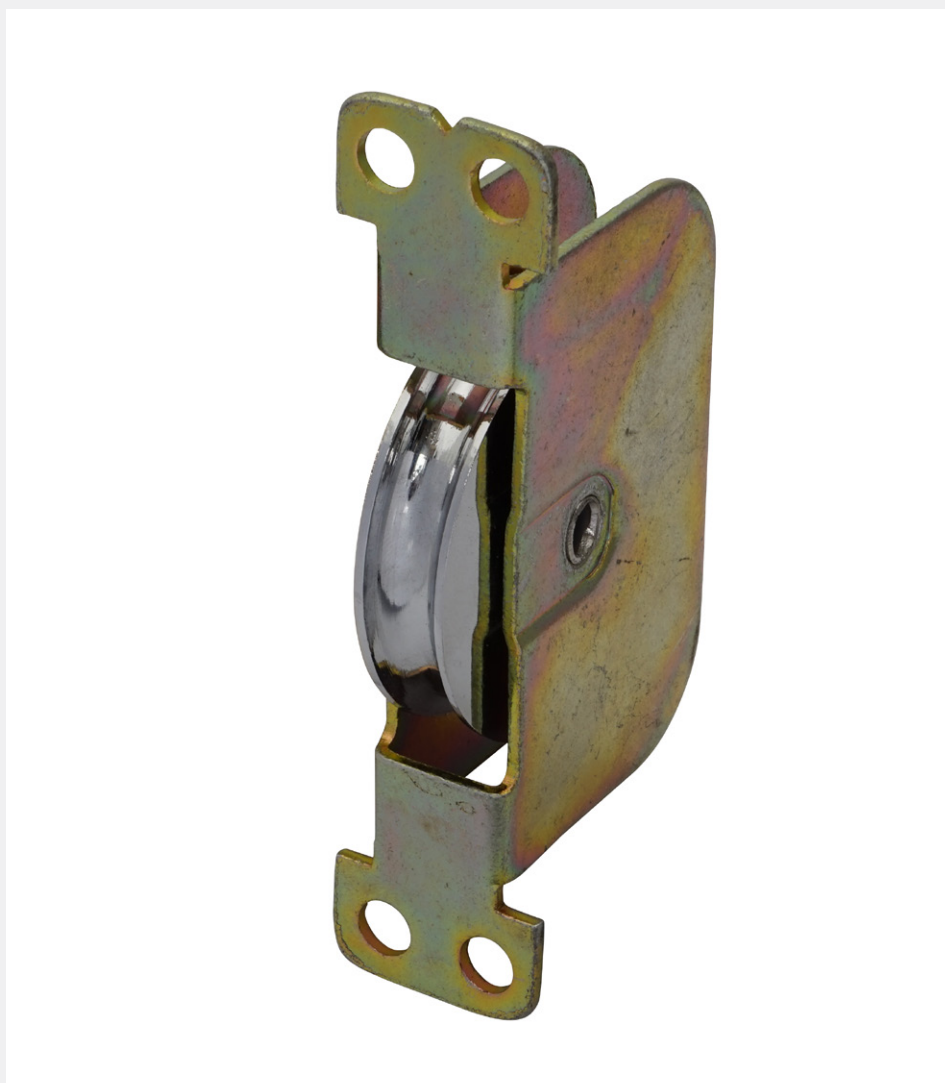


GLACE RANGE HEAVY DUTY SASH PULLEY

Product Code: SPS90

LIT-DC-SPS90



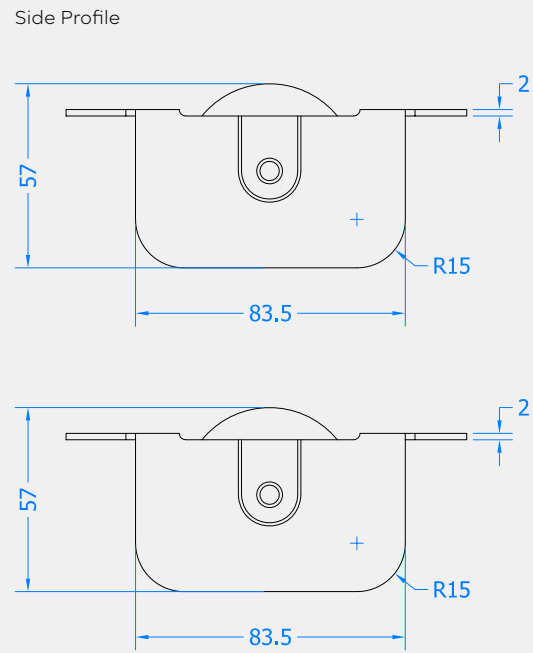
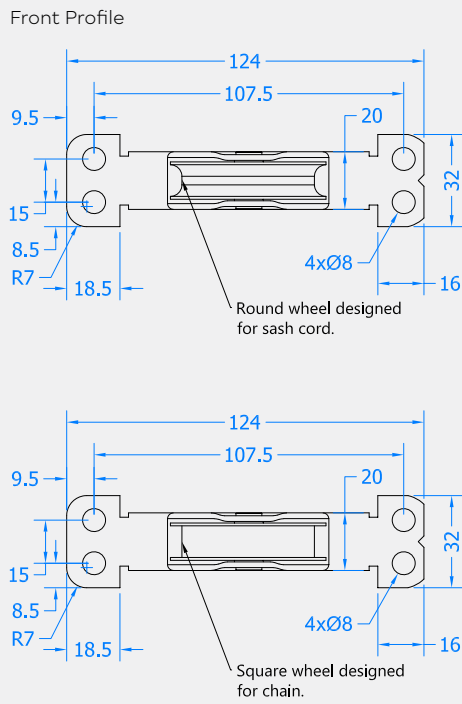
Solid Brass Range

- High performance, heavy duty 50mm (2") sash pulley
- Solid brass wheel with smooth rolling operation
- 100kg weight capacity
- Round groove version for use with sash cord or rope
- Square groove version for use with sash chain
- Use with the SPS90P pulley cover plate and the SPS90B pulley bumper



COASTAL

Shaping the future.



Visit www.coastal-group.com for CAD drawings

FINISHES:



CP
Polished Chrome



SB
Satin Brass

PART NUMBER	PRODUCT DESCRIPTION	FINISH	UNITS
SPS90-RW-CP	Heavy duty rope pulley	CP	Each
SPS90-RW-SB	Heavy duty rope pulley	SB	Each
SPS90-SW-CP	Heavy duty chain pulley	CP	Each
SPS90-SW-SB	Heavy duty chain pulley	SB	Each



COASTAL

Shaping the future.

GLACE RANGE

HEAVY DUTY SASH PULLEY COVER PLATE & BUMPER

Product Code: SPS90P/B

LIT-DC-SPS90P/B

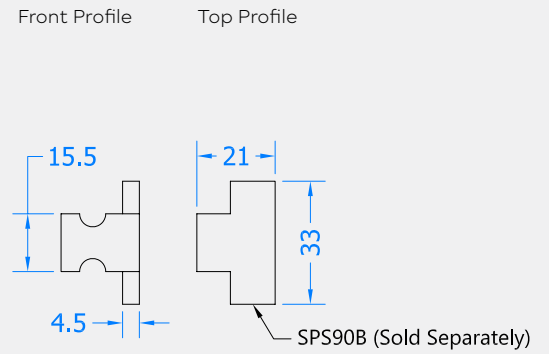
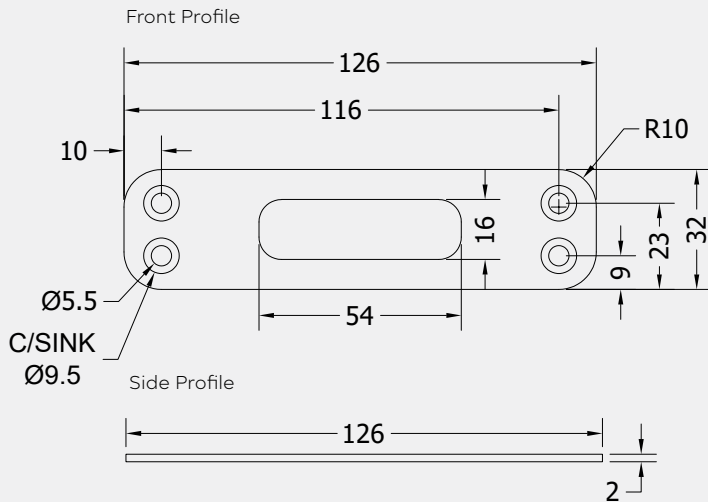


Solid Brass Range

- High quality 2" sash pulley cover plate for use with SPS90 sash pulley
- Works with both the round and square groove pulley wheel
- Supplied with fixing screws

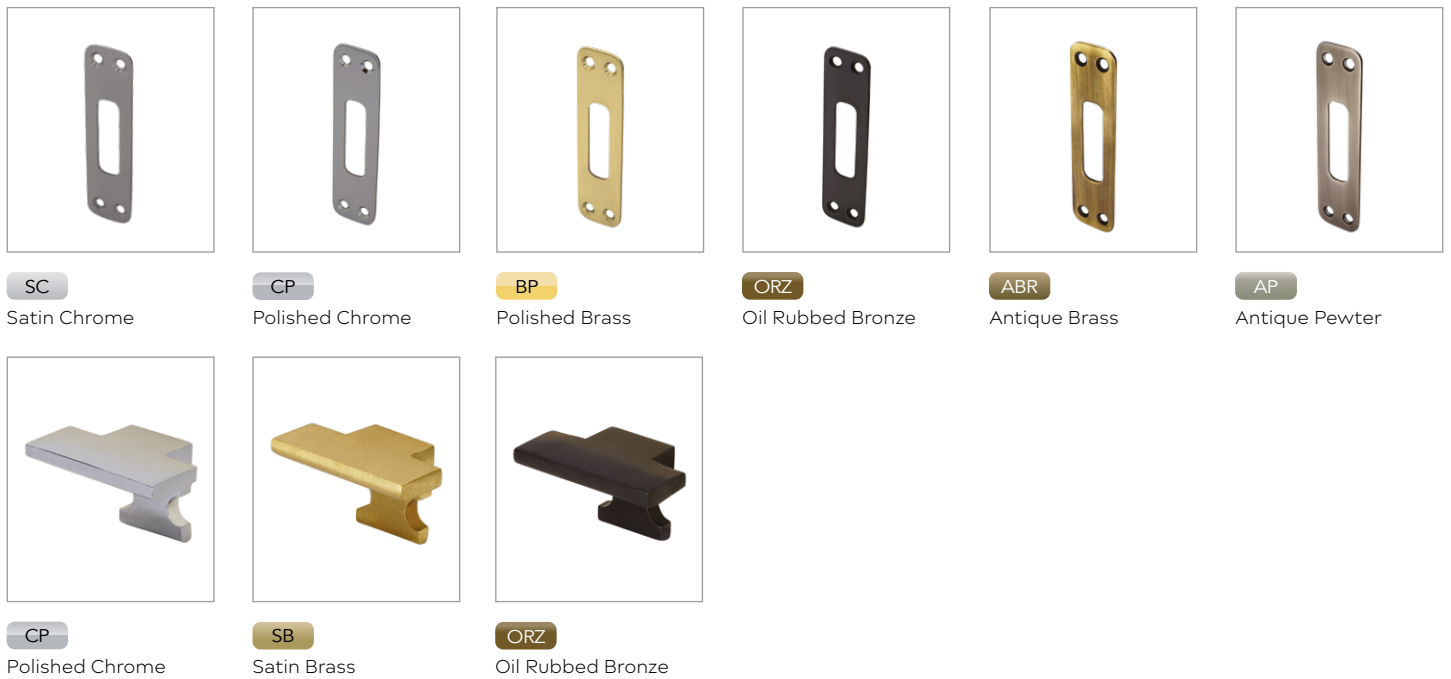
- Sash pulley bumper for use with the SPS90 Sash Pulley
- The bumper fits to the pulley wheel and stops the sash from hitting the frame when opened

HEAVY DUTY SASH PULLEY COVER PLATE & BUMPER



Visit www.coastal-group.com for CAD drawings

FINISHES:



PART NUMBER	PRODUCT DESCRIPTION	FINISH	UNITS
SPS90P-SC	Sash pulley cover plate	SC	Each
SPS90P-CP	Sash pulley cover plate	CP	Each
SPS90P-BP	Sash pulley cover plate	BP	Each
SPS90P-ORZ	Sash pulley cover plate	ORZ	Each
SPS90P-ABR	Sash pulley cover plate	ABR	Each
SPS90P-AP	Sash pulley cover plate	AP	Each
SPS90B-CP	Sash pulley bumper	CP	Each
SPS90B-SB	Sash pulley bumper	SB	Each
SPS90B-ORZ	Sash pulley bumper	ORZ	Each



COASTAL

Shaping the future.