

# BLU RANGE COTEMPORARY WINDOW HANDLE - OFFSET

Product Code: SST81

LIT-DC-SST81



## *316 Marine Grade Stainless Steel Hardware Range*

- Sleek, contemporary design window espagnolette handle
- Offset handle design provides increased knuckle clearance for easy operation
- Lockable for added security
- Part of a suited range of hardware including matching door handle
- Manufactured from 316 marine grade stainless steel
- Ideal for use where corrosion levels are high such as coastal environments and with acidic timber
- Lifetime guarantee

T 01726 871 025 E [sales@coastal-group.com](mailto:sales@coastal-group.com) W [coastal-group.com](http://coastal-group.com)

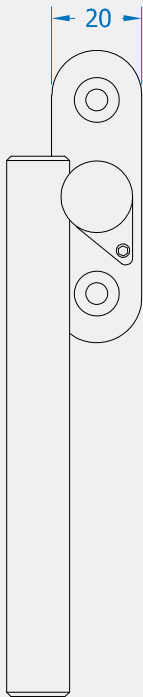


# COASTAL

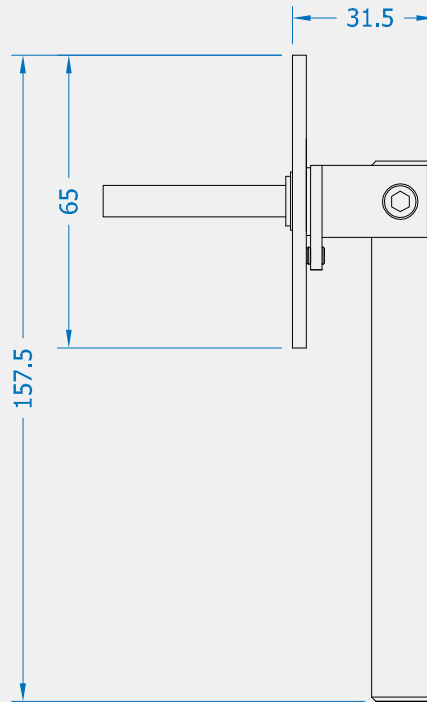
*Shaping the future.*

CONTEMPORARY WINDOW HANDLE - OFFSET

Front Profile



Side Profile



Visit [www.coastal-group.com](http://www.coastal-group.com) for CAD drawings

FINISHES:



SSS

Satin Stainless Steel

PART NUMBER	PRODUCT DESCRIPTION	FINISH	UNITS
SST81-LH-SSS	Contemporary lockable window espagnolette handle - offset	SSS	Each
SST81-RH-SSS	Contemporary lockable window espagnolette handle - offset	SSS	Each



**COASTAL**

*Shaping the future.*