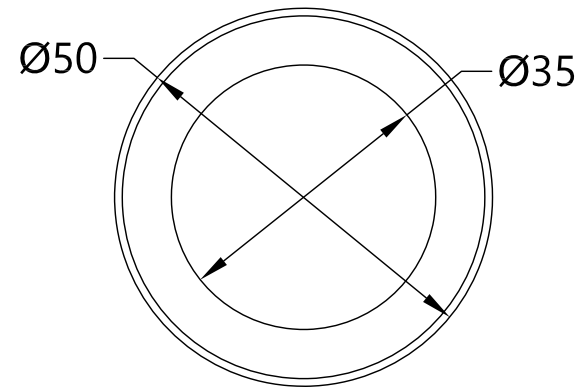
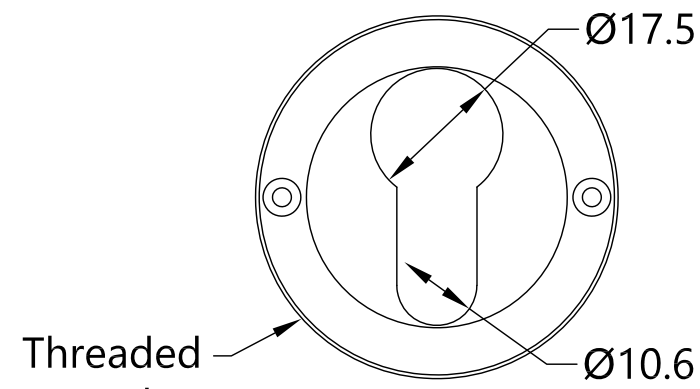


Revision History

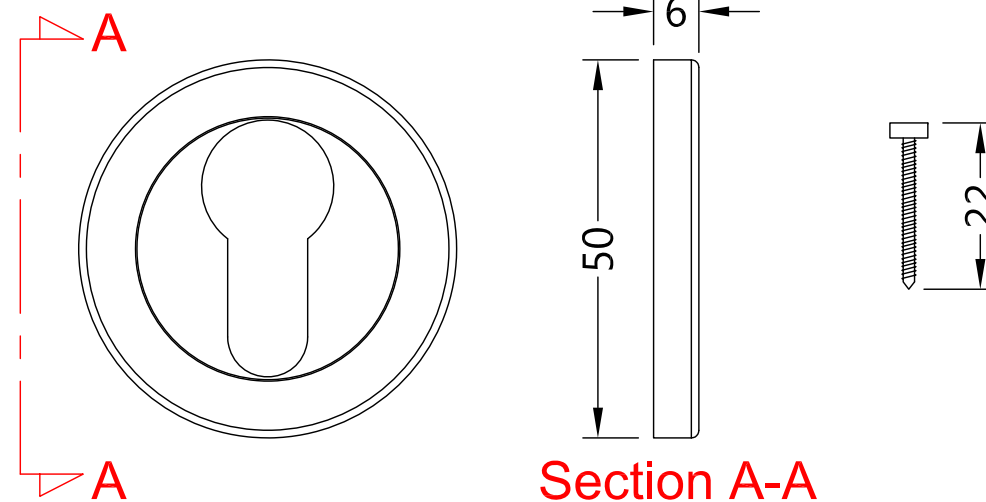
Revision	Description	DRFT	CHK	Date
A	Release.	PW	BD	7/11/17



Screw on Cover Plate



Backplate



Section A-A

Assembled View


 Global House
 Bojea Industrial Estate
 Trethowel, St Austell
 Cornwall, PL25 5RJ
 t | 01726 871025 f | 01726 871731
 e | sales@coastal-group.com
 w | www.coastal-group.com

Customer Reference:

Coastal Group

Drawing Title:
CoMarine CM102
Euro Profile Round Escutcheon

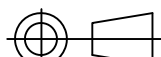
Product Range / Project Reference
Door Hardware

Other Information:

Date Drawn: 07/11/2017

Drawn By: Phil Walklett

Drawing Number: CG-CM102.dwg Revision: A

THIRD ANGLE PROJECTION

 This drawing and specification are the property of Coastal Group, they are issued in strict confidence and shall not be reproduced, copied or used without written permission.

Scale: 1:1@A3 Sheet: 1 of 1