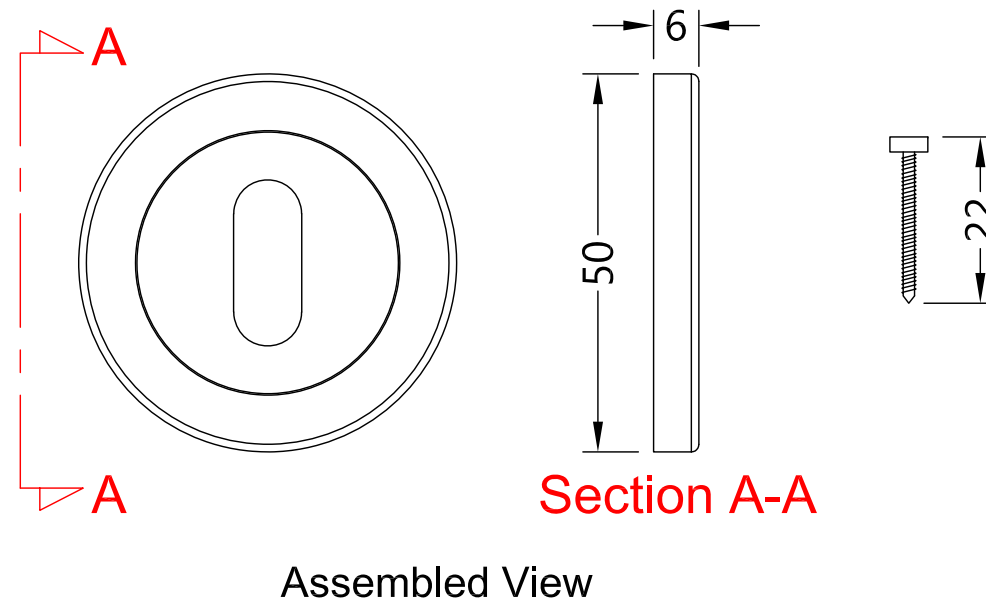
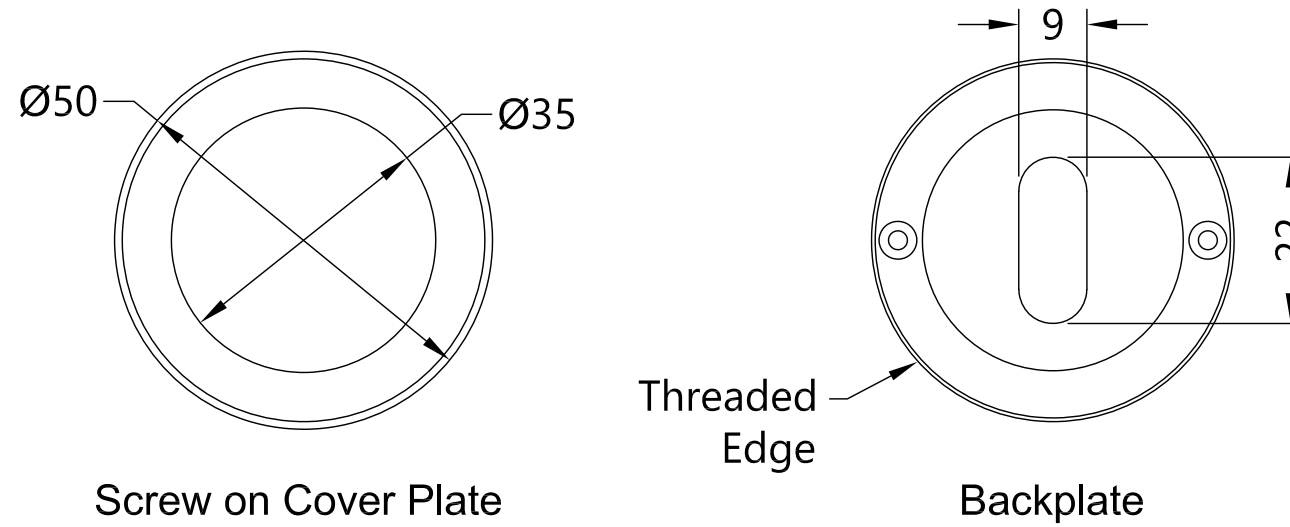
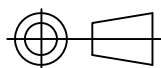


Revision History

Revision	Description	DRFT	CHK	Date
A	Release.	PW	BD	7/11/17




 Global House
 Bojea Industrial Estate
 Trethowel, St Austell
 Cornwall, PL25 5RJ
 t | 01726 871025 f | 01726 871731
 e | sales@coastal-group.com
 w | www.coastal-group.com

Customer Reference:	
Coastal Group	
Drawing Title: CoMarine CM103 Key Lock Round Escutcheon	
Product Range / Project Reference Door Hardware	
Other Information:	
Date Drawn:	07/11/2017
Drawn By: Phil Walklett	
Drawing Number: CG-CM103.dwg	Revision: A
THIRD ANGLE PROJECTION 	This drawing and specification are the property of Coastal Group, they are issued in strict confidence and shall not be reproduced, copied or used without written permission.
Scale: 1:1@A3	Sheet: 1 of 1