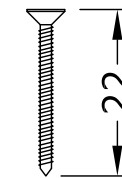
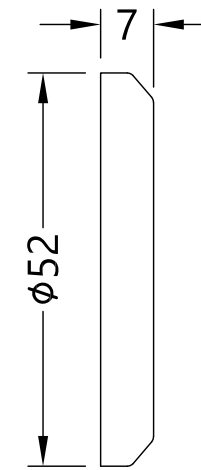
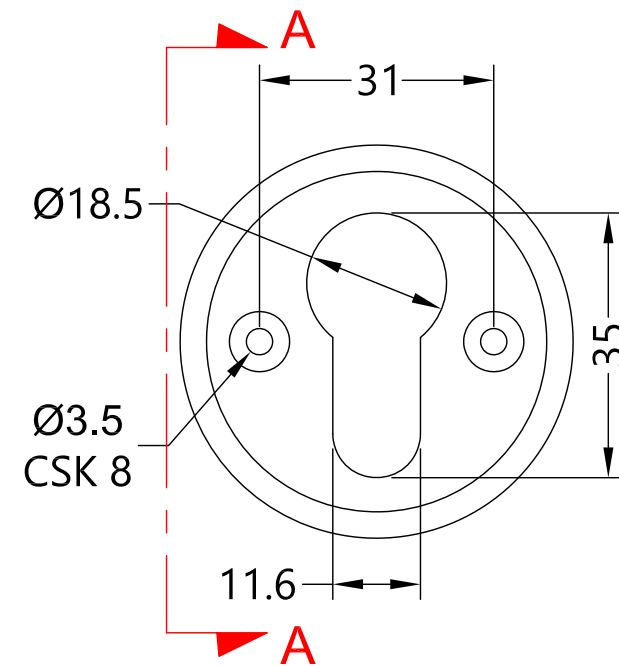


Revision History

Revision	Description	DRFT	CHK	Date
A	Release.	PW	BD	7/11/17



Section A-A

Global House
Bojea Industrial Estate
Trehowel, St Austell
Cornwall, PL25 5RJ
t | 01726 871025 f | 01726 871731
e | sales@coastal-group.com
w | www.coastal-group.com

Customer Reference:

Coastal Group

Drawing Title:
BA5539-BA
Antique Euro Profile Escutcheon

Product Range / Project Reference

Door Hardware

Other Information:

Date Drawn: 07/11/2017

Drawn By: Phil Walklett

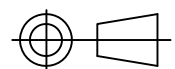
Drawing Number:

CG-BA5539-BA.dwg

Revision:

A

THIRD ANGLE PROJECTION



This drawing and specification are the property of Coastal Group, they are issued in strict confidence and shall not be reproduced, copied or used without written permission.

Scale: 1:1@A3

Sheet: 1 of 1