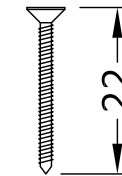
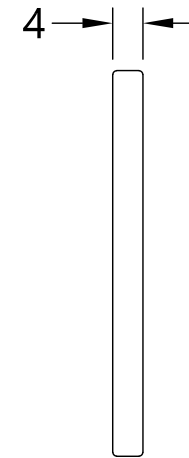
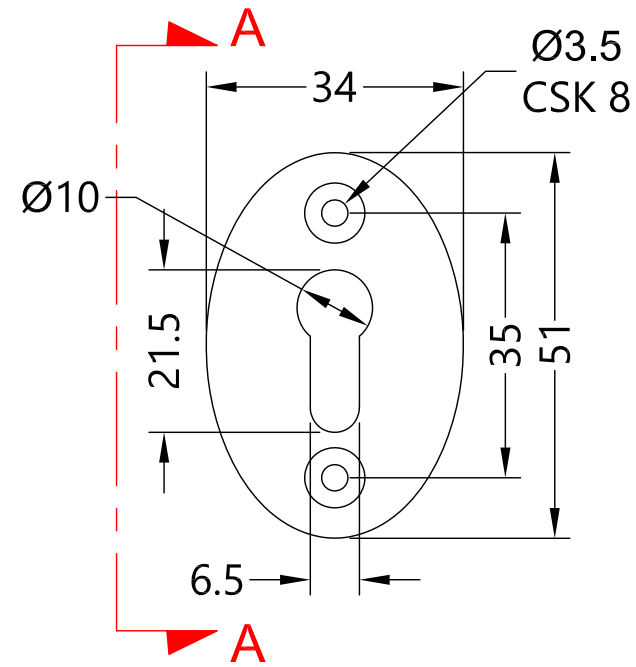


Revision History

Revision	Description	DRFT	CHK	Date
A	Release.	PW	BD	7/11/17



Section A-A

Global House
Bojea Industrial Estate
Trehowel, St Austell
Cornwall, PL25 5RJ
t | 01726 871025 f | 01726 871731
e | sales@coastal-group.com
w | www.coastal-group.com

Customer Reference:

Coastal Group

Drawing Title:
BA5539U-BA
Antique Key Hole Oval Escutcheon

Product Range / Project Reference
Door Hardware

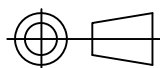
Other Information:

Date Drawn: 07/11/2017

Drawn By: Phil Walklett

Drawing Number: CG-BA5539U-BA.dwg

Revision:
A

THIRD ANGLE PROJECTION
 This drawing and specification are the property of Coastal Group, they are issued in strict confidence and shall not be reproduced, copied or used without written permission.

Scale: 1:1@A3 Sheet: 1 of 1