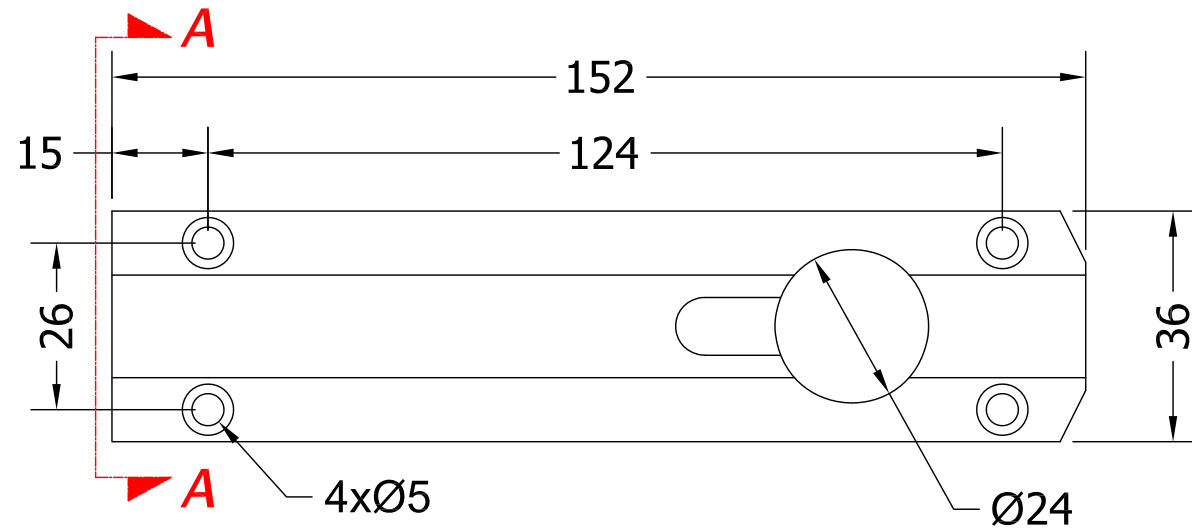
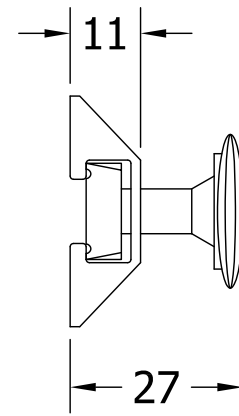


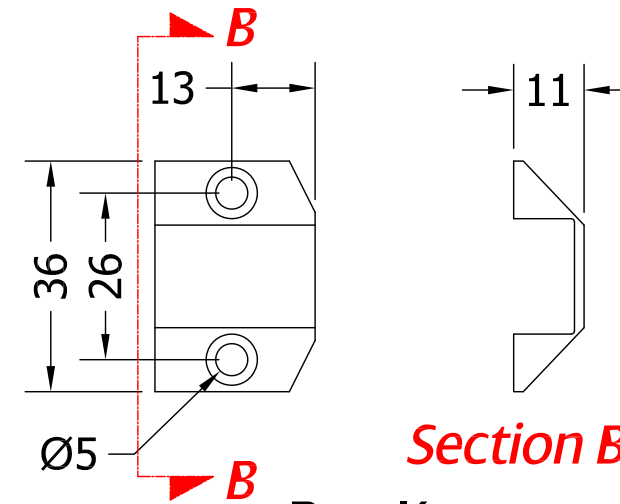
REVISIONS			
Revision	Description	Drawn	Date
A	Release	PW	14/11/17



**Bolt Closed Position**

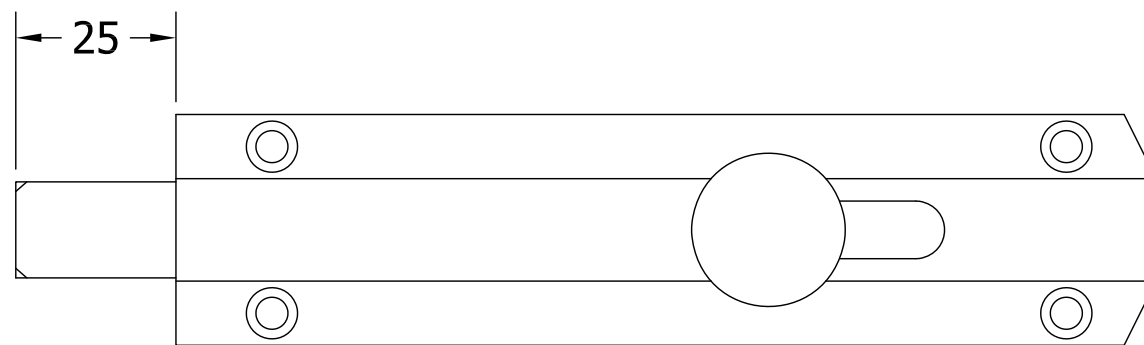


**Section A-A**

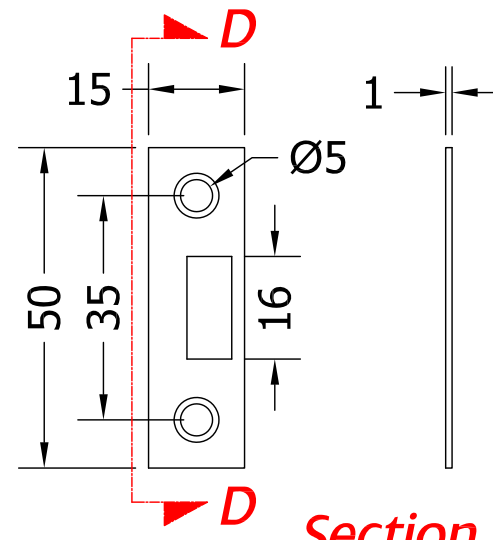


**Section B-B**

**Box Keep**

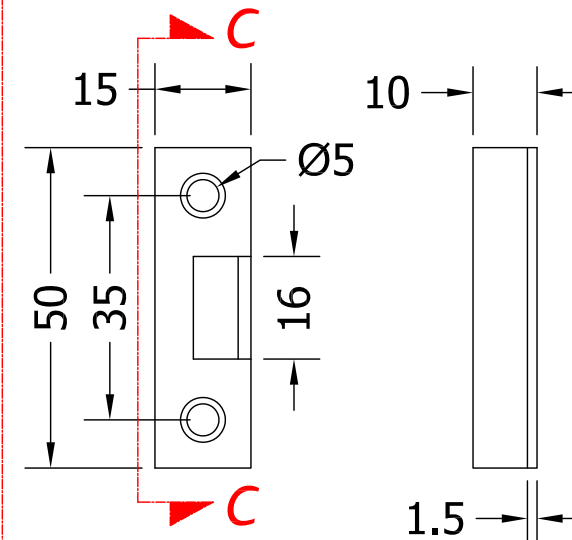


**Bolt Fired Position**



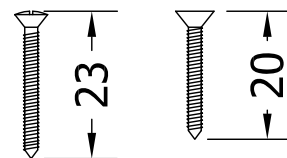
**Section D-D**


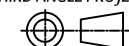
**Flat Plate Keep**



**Section C-C**

**Angled Keep**



	
Global House, Bojea Industrial Estate, Trethowel, St Austell, PL25 5RJ Telephone   01726 871725 - Fax   01726 871731 Email   sales@coastal-group.com - Web   www.coastal-group.com	
<b>Drawing Reference:</b> Coastal Group	
<b>Drawing Title:</b> AQ82 Surface Slide Door Bolts	
<b>Product Range:</b> Door Bolts	
<b>Additional Info:</b>	
Date Drawn: 14/11/2017	
Drawn By: Phil Walklett	
Part Number: AQ82	
File Name: CG-AQ82.dwg	
Revision: A	
Drawing Scale: None	
Sheet Number: 1 of 1	
THIRD ANGLE PROJECTION 	This drawing and specification are the property of Coastal Group, they are issued in strict confidence and shall not be reproduced, copied or used without written permission.