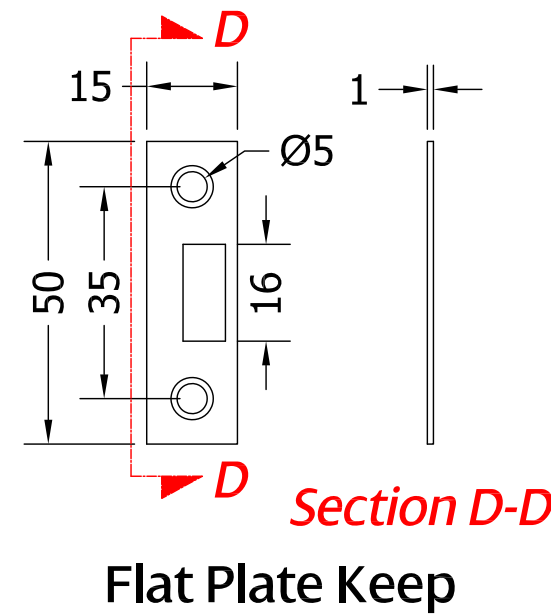
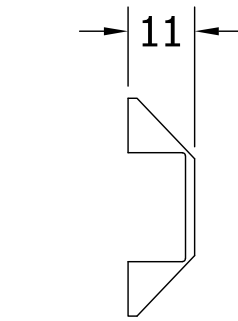
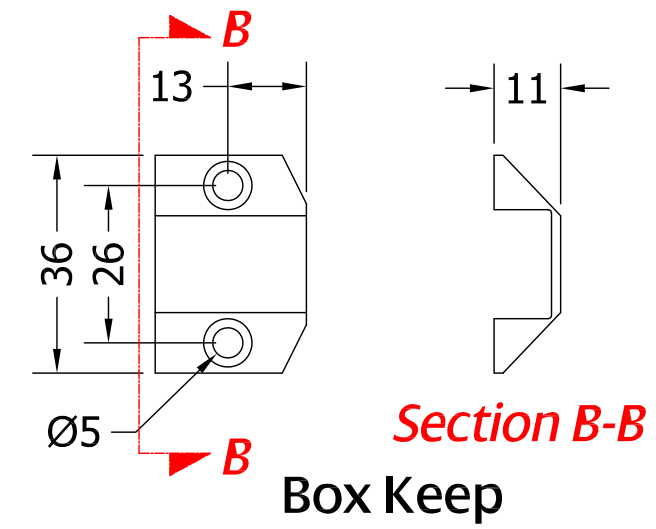
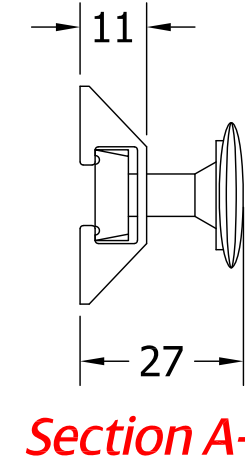
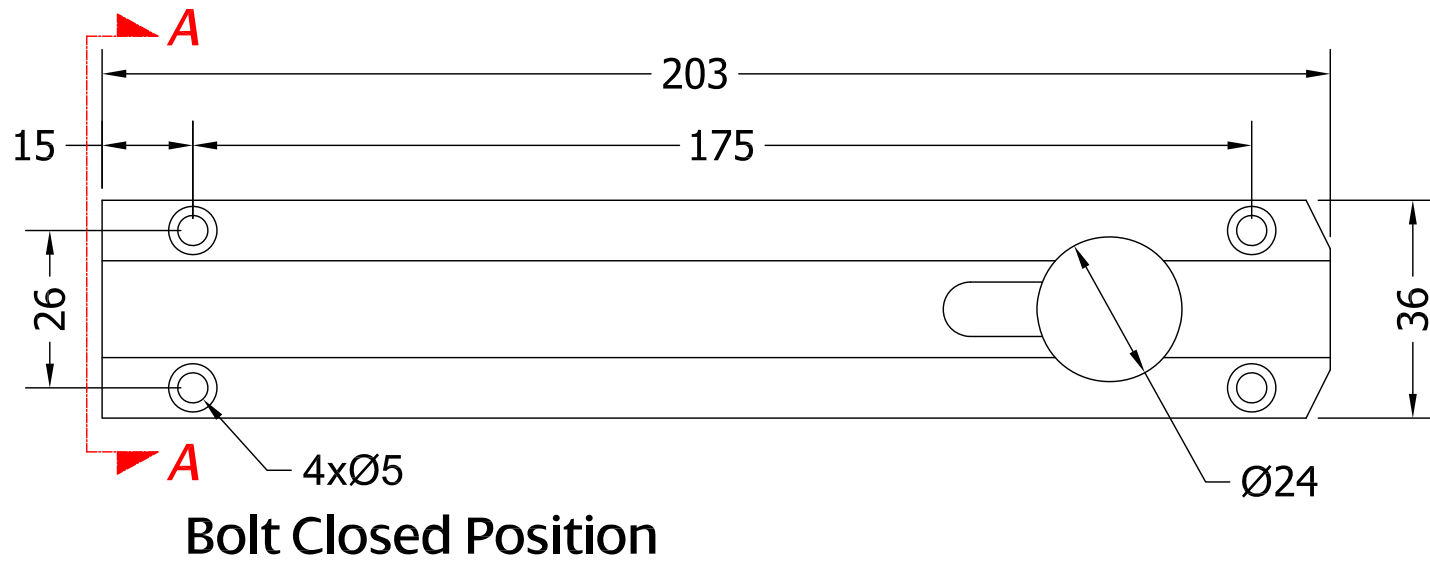
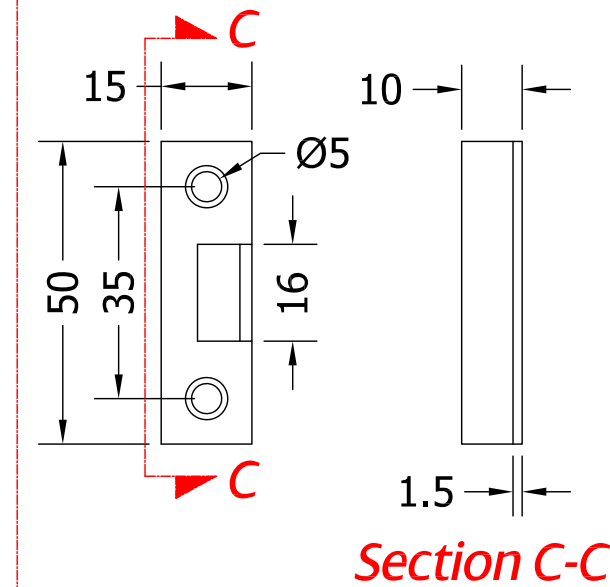


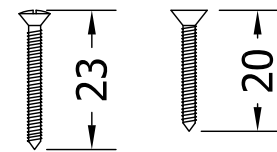
REVISIONS			
Revision	Description	Drawn	Date
A	Release	PW	14/11/17



**Section D-D**



**Section C-C**



COASTAL GROUP

Global House, Bojea Industrial Estate, Trethowel, St Austell, PL25 5RJ  
 Telephone | 01726 871725 - Fax | 01726 871731  
 Email | sales@coastal-group.com - Web | www.coastal-group.com

**Drawing Reference:**  
 Coastal Group

**Drawing Title:**  
 AQ83  
 Surface Slide Door Bolts

**Product Range:**  
 Door Bolts

**Additional Info:**

Date Drawn:	14/11/2017
Drawn By:	Phil Walklett
Part Number:	AQ83
File Name:	CG-AQ83.dwg
Revision:	A
Drawing Scale:	None
Sheet Number:	1 of 1

**THIRD ANGLE PROJECTION**

This drawing and specification are the property of Coastal Group, they are issued in strict confidence and shall not be reproduced, copied or used without written permission.