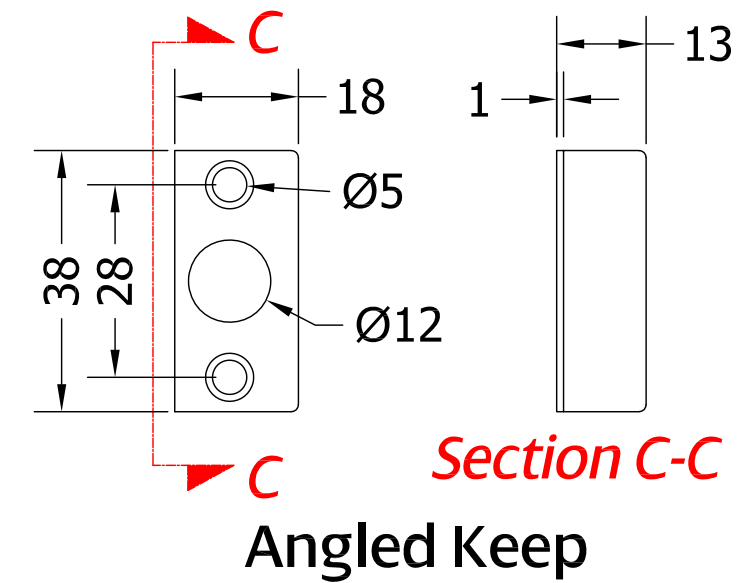
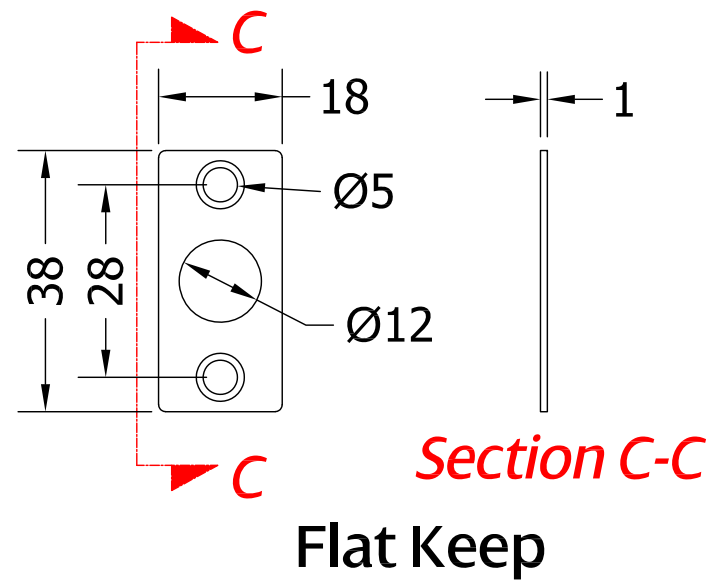
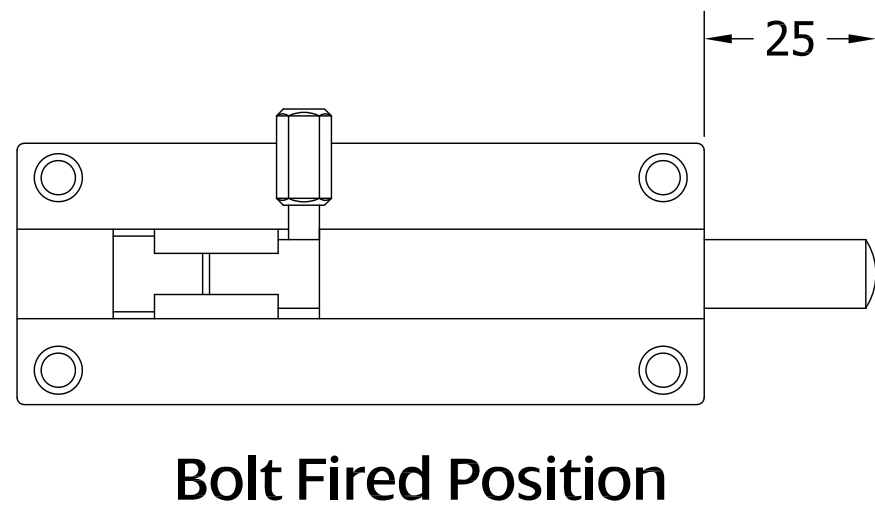
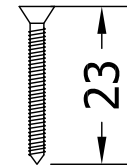
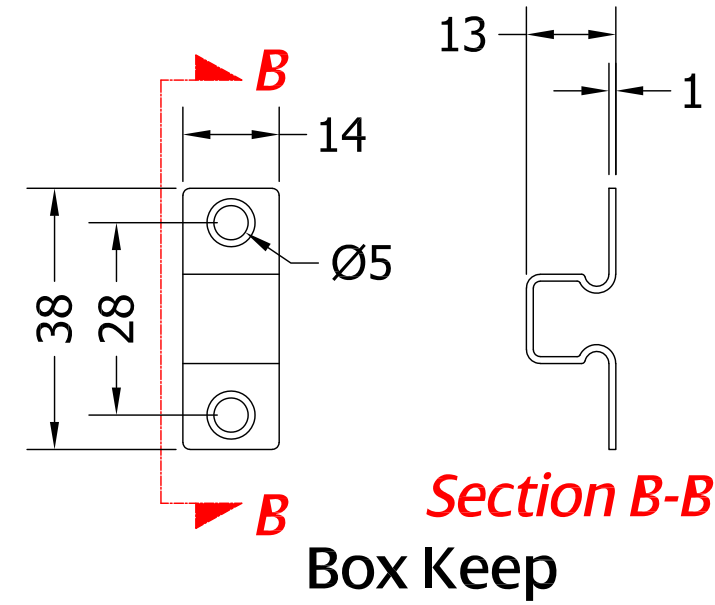
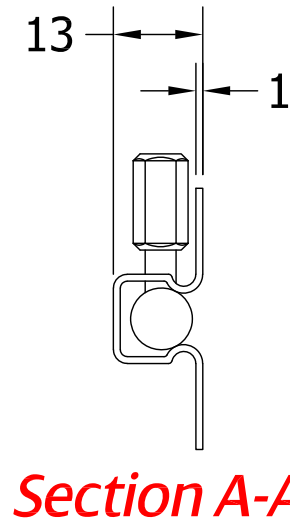
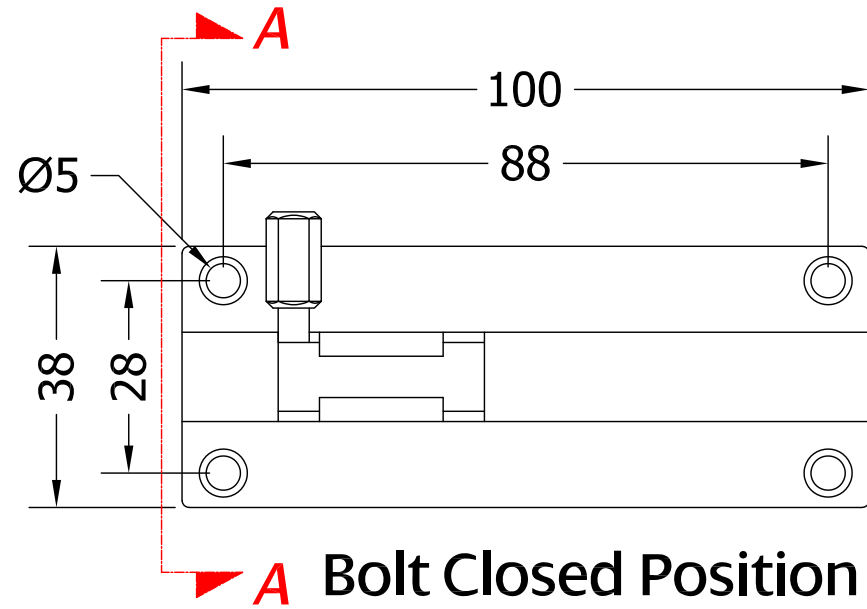


REVISIONS			
Revision	Description	Drawn	Date
A	Release	PW	14/11/17



Global House, Bojea Industrial Estate, Trethowel, St Austell, PL25 5RJ  
 Telephone | 01726 871725 - Fax | 01726 871731  
 Email | sales@coastal-group.com - Web | www.coastal-group.com

**Drawing Reference:**  
**Coastal Group**

**Drawing Title:**  
**BBT1100-SSS**  
**Straight Barrell Bolts**

**Product Range:**  
**Door Bolts**

**Additional Info:** 304 Grade Stainless Steel

**Date Drawn:** 14/11/2017  
**Drawn By:** Phil Walklett  
**Part Number:** BBT1100-SSS  
**File Name:** CG-BBT1100-SSS.dwg  
**Revision:** A  
**Drawing Scale:** None  
**Sheet Number:** 1 of 1

**THIRD ANGLE PROJECTION**

This drawing and specification are the property of Coastal Group, they are issued in strict confidence and shall not be reproduced, copied or used without written permission.