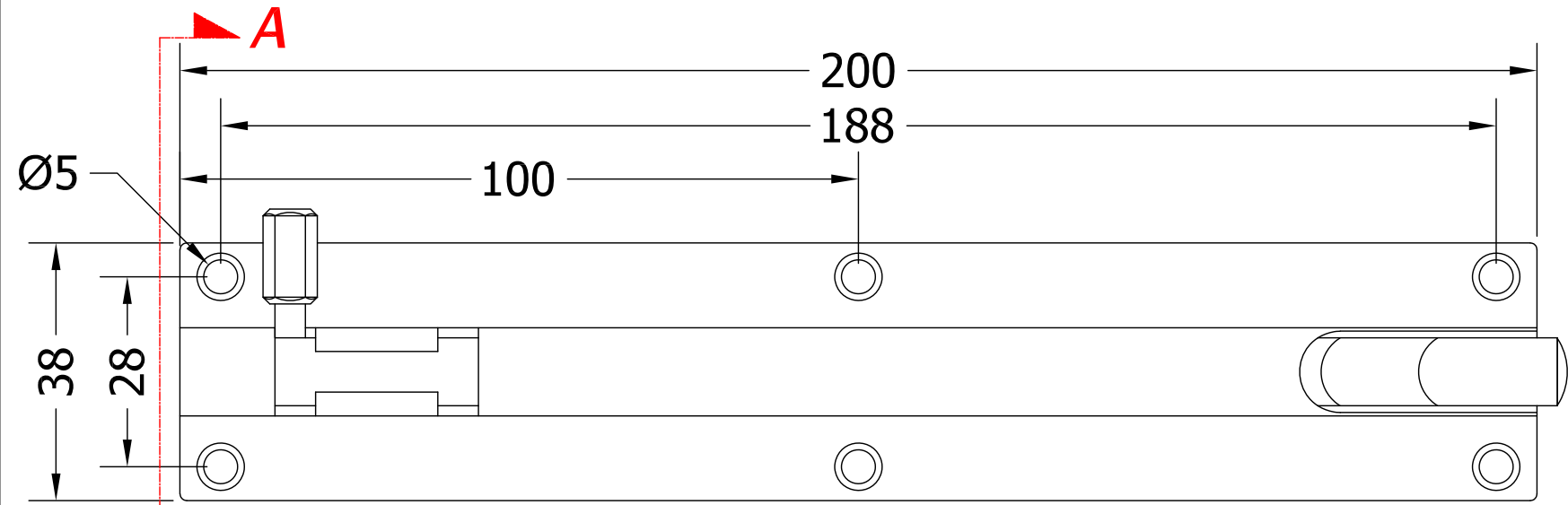
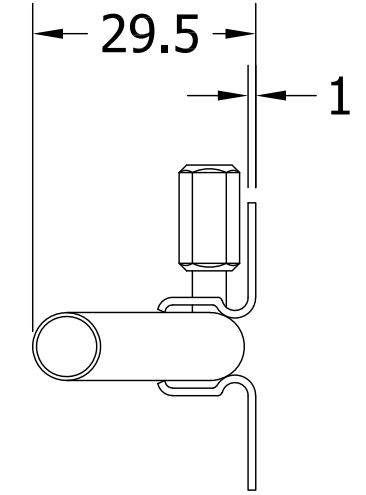


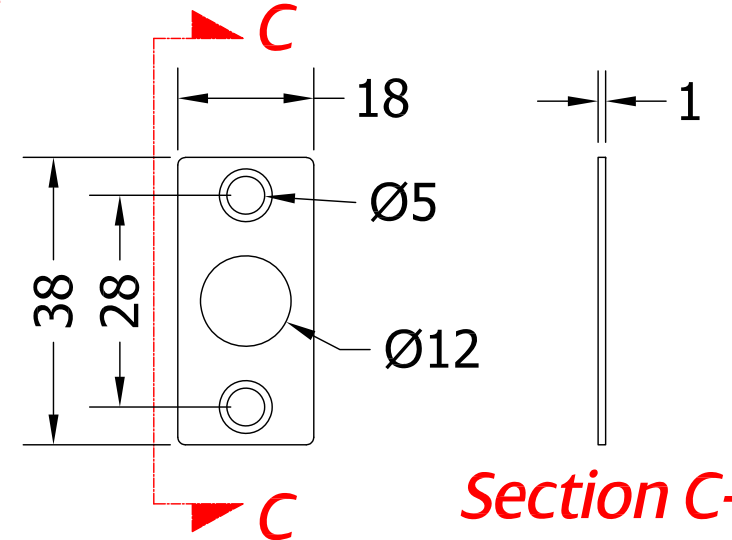
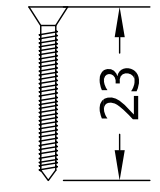
REVISIONS			
Revision	Description	Drawn	Date
A	Release	PW	14/11/17



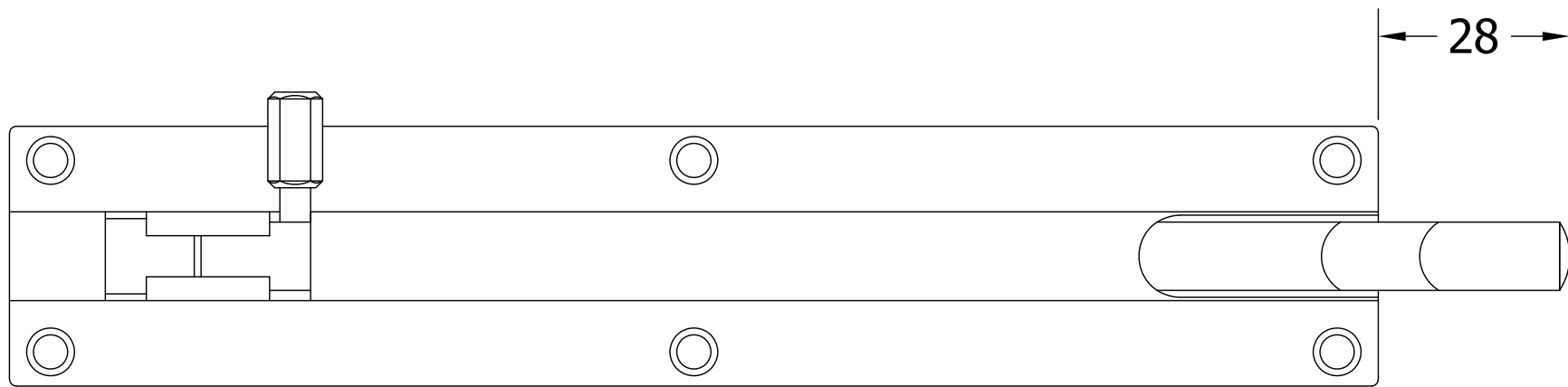
**A Bolt Closed Position**



**Section A-A**



**Section C-C**



**Bolt Fired Position**

**Flat Keep**

**COASTAL GROUP**  
 Global House, Bojea Industrial Estate, Trethowel, St Austell, PL25 5RJ  
 Telephone | 01726 871725 - Fax | 01726 871731  
 Email | sales@coastal-group.com - Web | www.coastal-group.com

**Drawing Reference:**  
 Coastal Group

**Drawing Title:**  
 BBT1200CR-SSS  
 Cranked Barrell Bolts

**Product Range:**  
 Door Bolts

**Additional Info:** 304 Grade Stainless Steel

**Date Drawn:** 14/11/2017  
**Drawn By:** Phil Walklett  
**Part Number:** BBT1200CR-SSS  
**File Name:** CG-BBT1200CR-SSS.dwg  
**Revision:** A  
**Drawing Scale:** 1:1@A3  
**Sheet Number:** 1 of 1

**THIRD ANGLE PROJECTION**  
 This drawing and specification are the property of Coastal Group, they are issued in strict confidence and shall not be reproduced, copied or used without written permission.