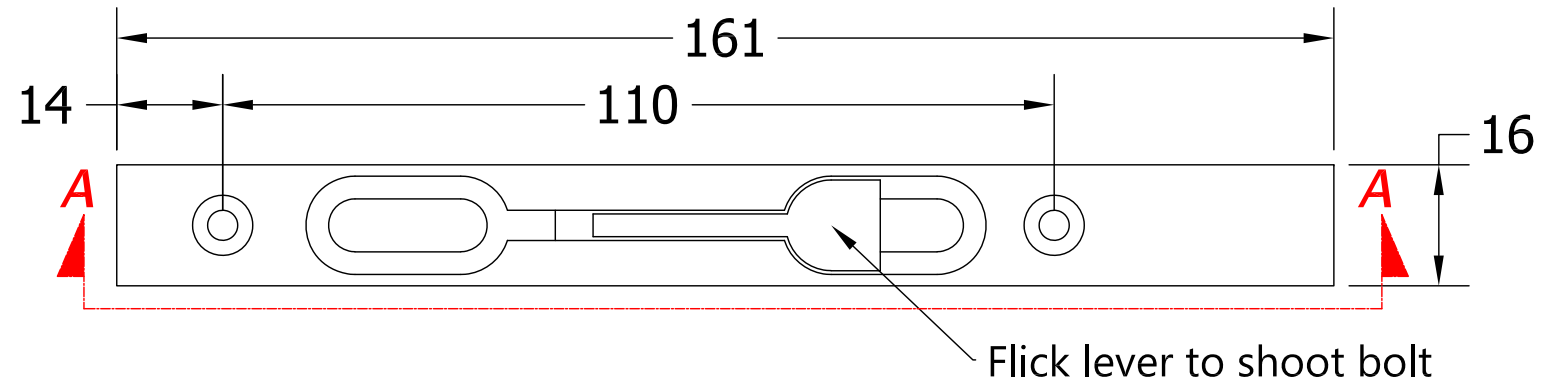


REVISIONS

Revision	Description	Drawn	Date
A	Release	PW	14/11/17



Bolt Closed Position



Bolt Fired Position

Section A-A

COASTAL GROUP
innovating & upgrading the style, performance & longevity of external doors & windows globally

Global House, Bojea Industrial Estate, Trethowel, St Austell, PL25 5RJ
 Telephone | 01726 871725 - Fax | 01726 871731
 Email | sales@coastal-group.com - Web | www.coastal-group.com

Drawing Reference:
Coastal Group
FBE6
Eurogroove Flick Bolt

Product Range:
Door Bolts

Additional Info:

Date Drawn:	14/11/2017
Drawn By:	Phil Walklett
Part Number:	FBE6
File Name:	CG-FBE6.dwg
Revision:	A
Drawing Scale:	1:1@A3
Sheet Number:	1 of 1

THIRD ANGLE PROJECTION  This drawing and specification are the property of Coastal Group, they are issued in strict confidence and shall not be reproduced, copied or used without written permission.