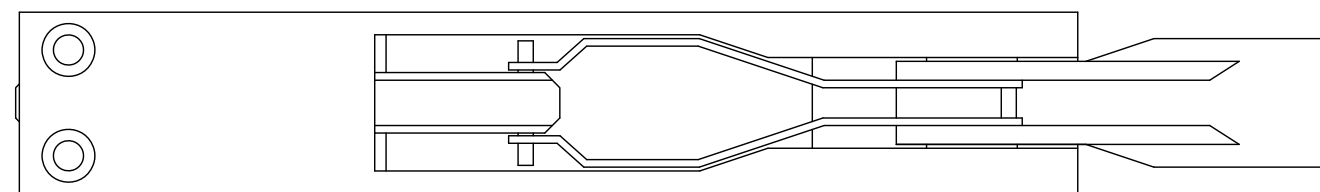
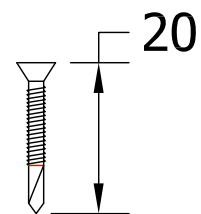
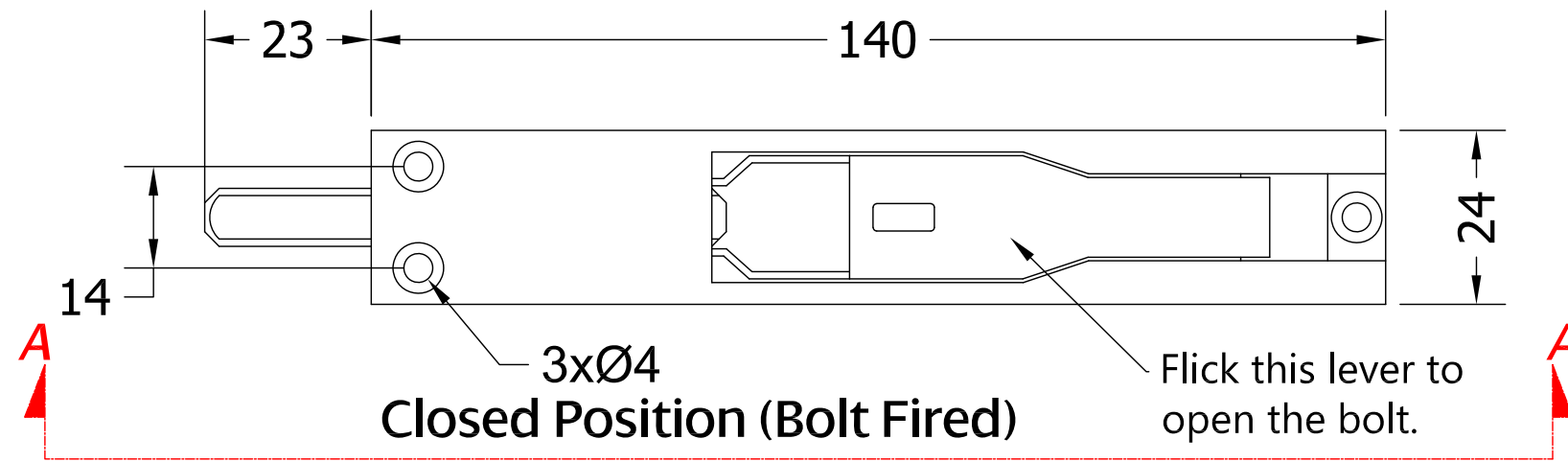
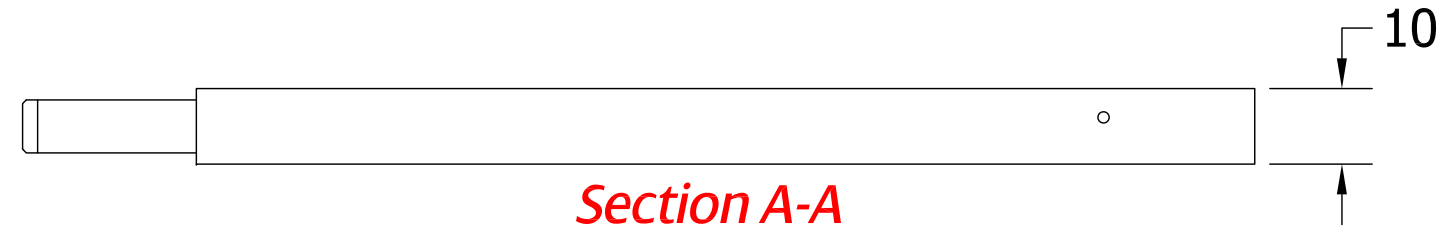


REVISIONS

| Revision | Description | Drawn | Date |
|----------|-------------|-------|----------|
| A | Release | PW | 14/11/17 |



Open Position



Global House, Bojea Industrial Estate, Trethowel, St Austell, PL25 5RJ
 Telephone | 01726 871725 - Fax | 01726 871731
 Email | sales@coastal-group.com - Web | www.coastal-group.com

Drawing Reference:

Coastal Group

Drawing Title:
**FBF140
 Flat Box Flush Bolt**

Product Range:
Door Bolts

Additional Info:

Date Drawn: 15/11/2017

Drawn By: Phil Walklett

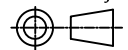
Part Number: **FBF140**

File Name: **CG-FBF140.dwg**

Revision: **A**

Drawing Scale: 1:1@A3

Sheet Number: 1 of 1

THIRD ANGLE PROJECTION
 This drawing and specification are the property of Coastal Group, they are issued in strict confidence and shall not be reproduced, copied or used without written permission.