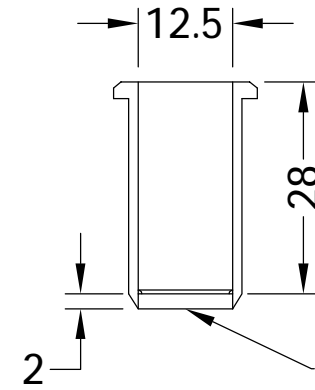
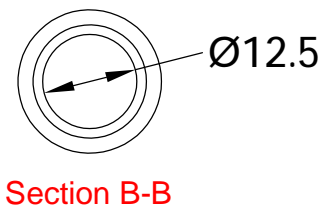
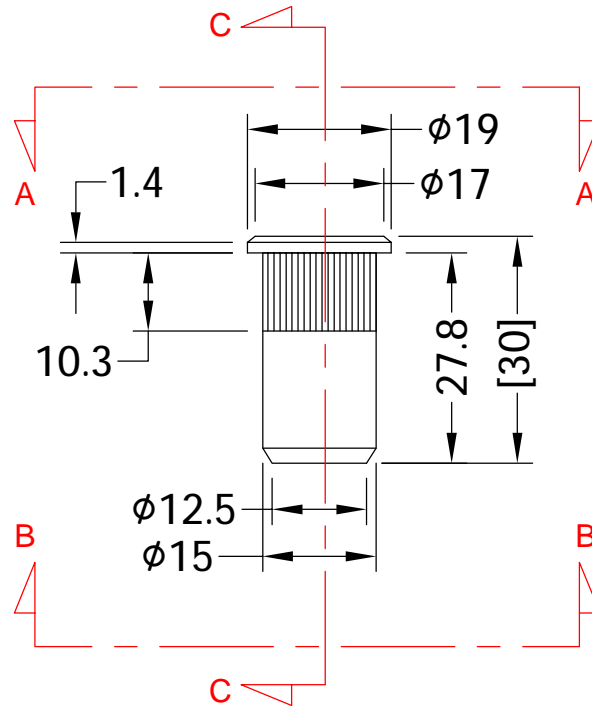
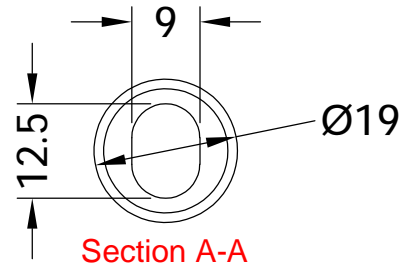


This drawing and specification are the property of Coastal Group. They are issued in strict confidence and shall not be reproduced, copied or used without written permission.

Revision History				
Revision	Description	Drawn By	Date	Approved By
X	Pre-Production	PW	17/5/17	BD



This plug to be welded from the inside to close off hole.

		Global House Bojea Industrial Estate Trethowel, St Austell Cornwall, PL25 5RJ t 01726 871025 f 01726 871731 e sales@coastal-group.com w www.coastal-group.com	
Customer Reference:			
COASTAL GROUP			
Drawing Title: FBF12 - Flush Bolt Keep Coastal Version			
Product Range / Project Reference Flush Bolt Keep			
Other Information:			
Date Drawn:		17/05/2017	
Drawn By:		Phil Walklett	
Drawing Number: CG-FBF12-SS.dwg			Revision: A
THIRD ANGLE PROJECTION		This drawing and specification are the property of Coastal Group, they are issued in strict confidence and shall not be reproduced, copied or used without written permission.	
			
Scale: 1:1 @A4		Sheet: 1 of 1	