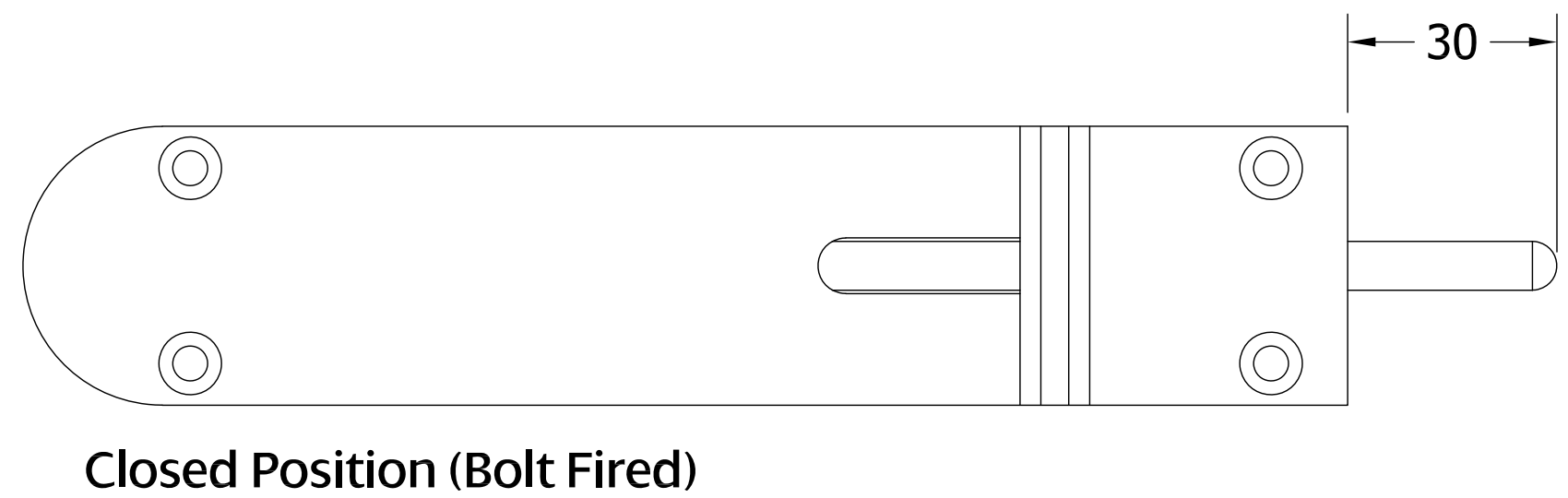
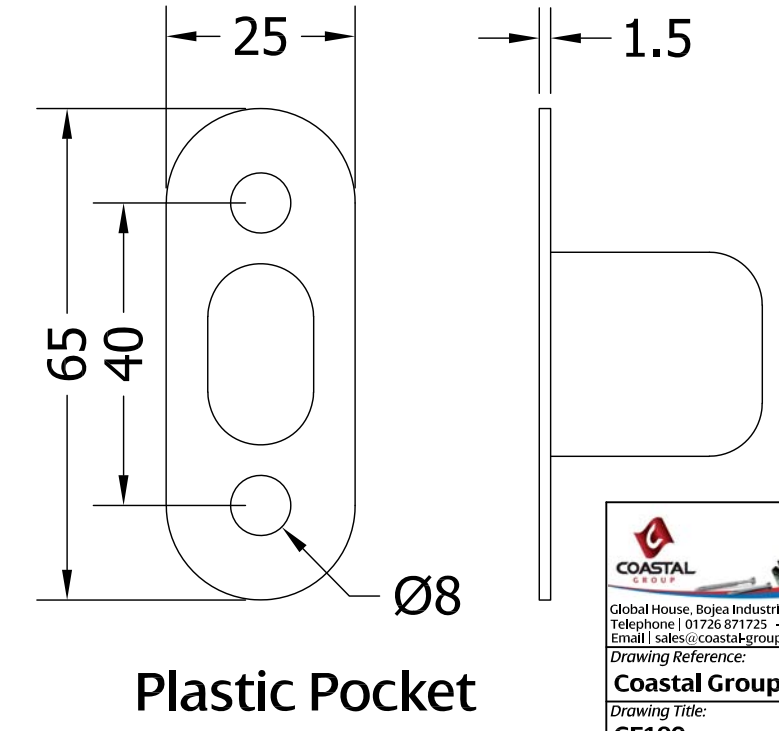
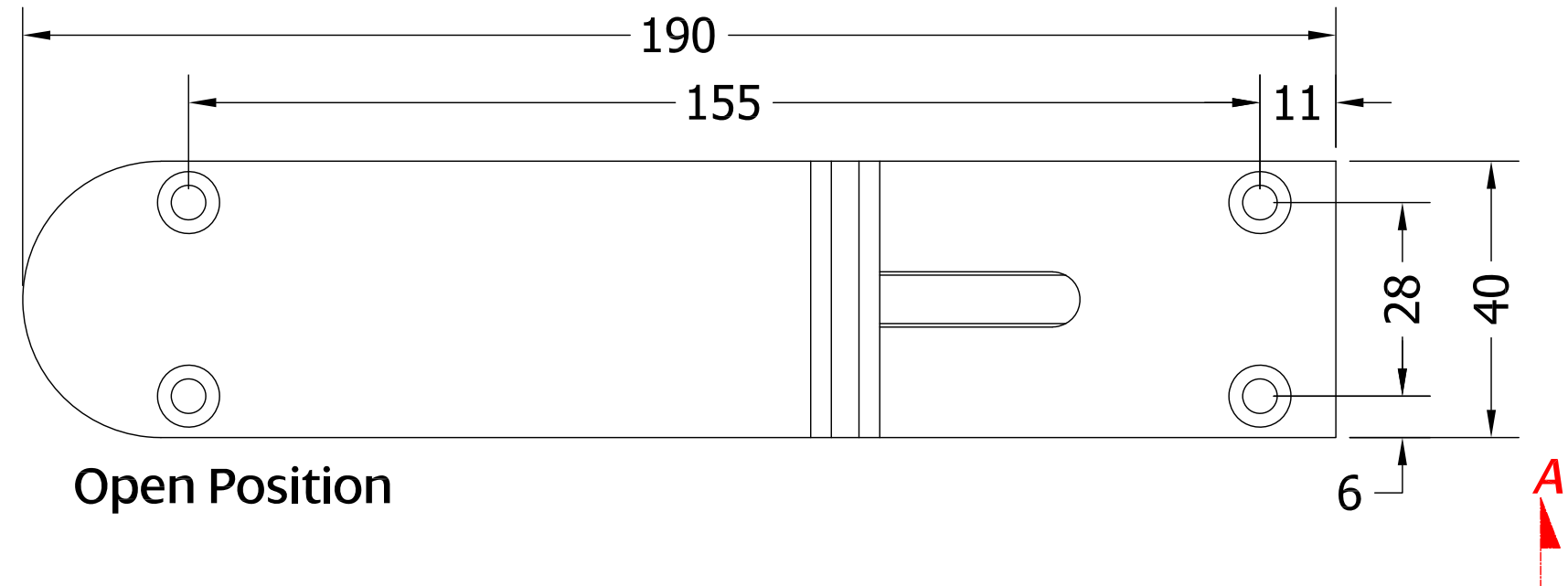
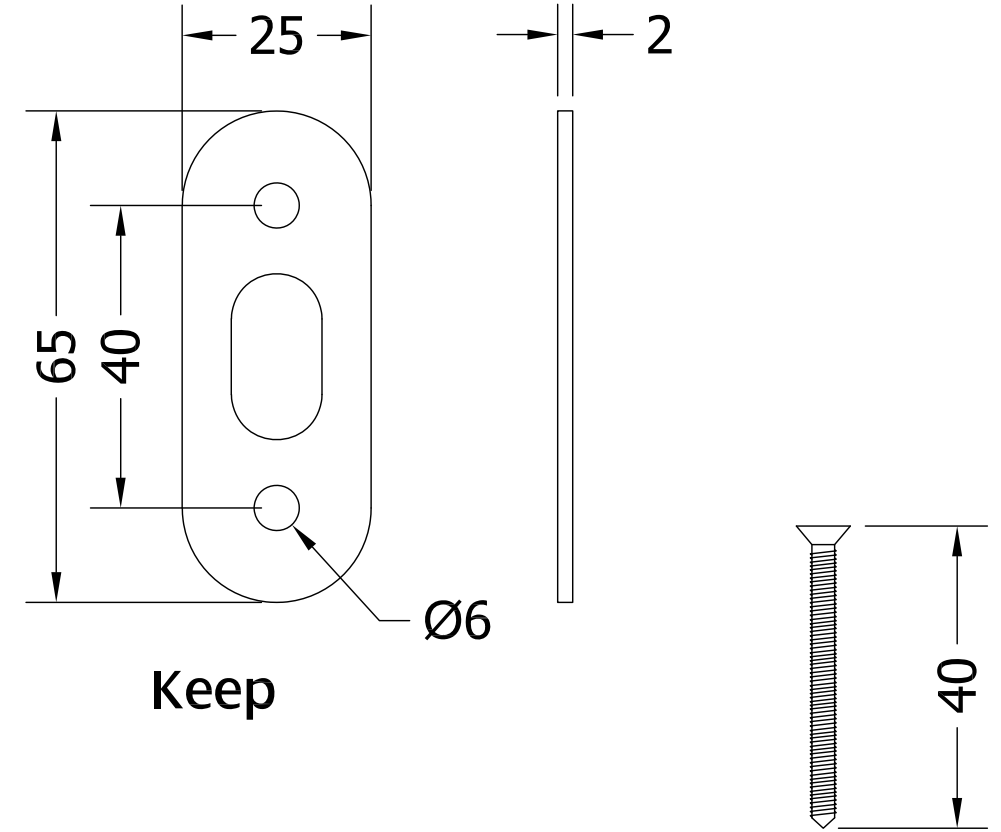
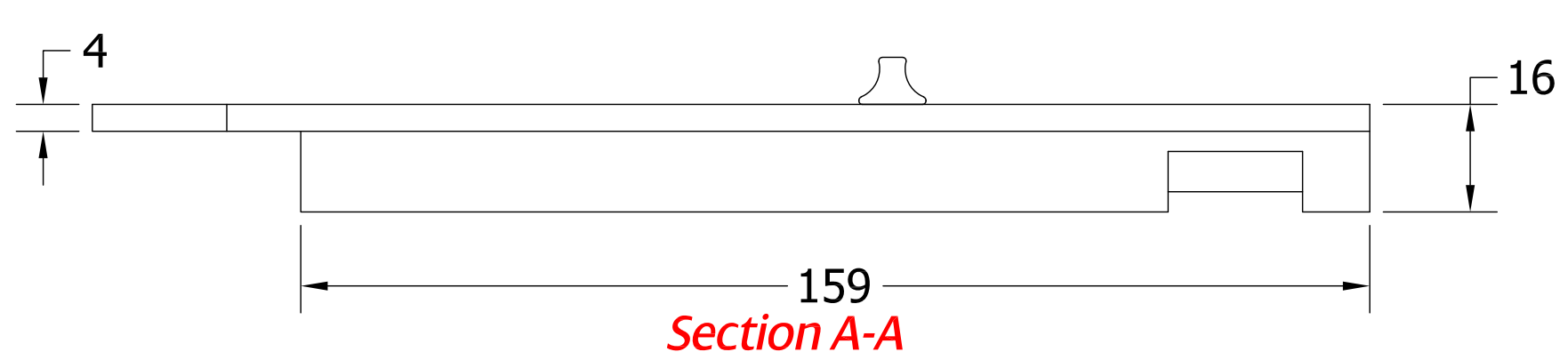


REVISIONS			
Revision	Description	Drawn	Date
A	Release	PW	15/11/17



Global House, Bojea Industrial Estate, Trethowel, St Austell, PL25 5RJ  
 Telephone | 01726 871725 - Fax | 01726 871731  
 Email | sales@coastal-group.com - Web | www.coastal-group.com

Drawing Reference:  
**Coastal Group**  
 Drawing Title:  
**CF190**  
**190mm Non Locking Flush Bolt**  
 Product Range:  
**Door Bolts**  
 Additional Info: For use primarily on CoFold folding doors

Date Drawn: 15/11/2017  
 Drawn By: Phil Walklett  
 Part Number: CF190  
 File Name: CG-CF190.dwg  
 Revision: A  
 Drawing Scale: 1:1@A3  
 Sheet Number: 1 of 1

THIRD ANGLE PROJECTION

This drawing and specification are the property of Coastal Group, they are issued in strict confidence and shall not be reproduced, copied or used without written permission.