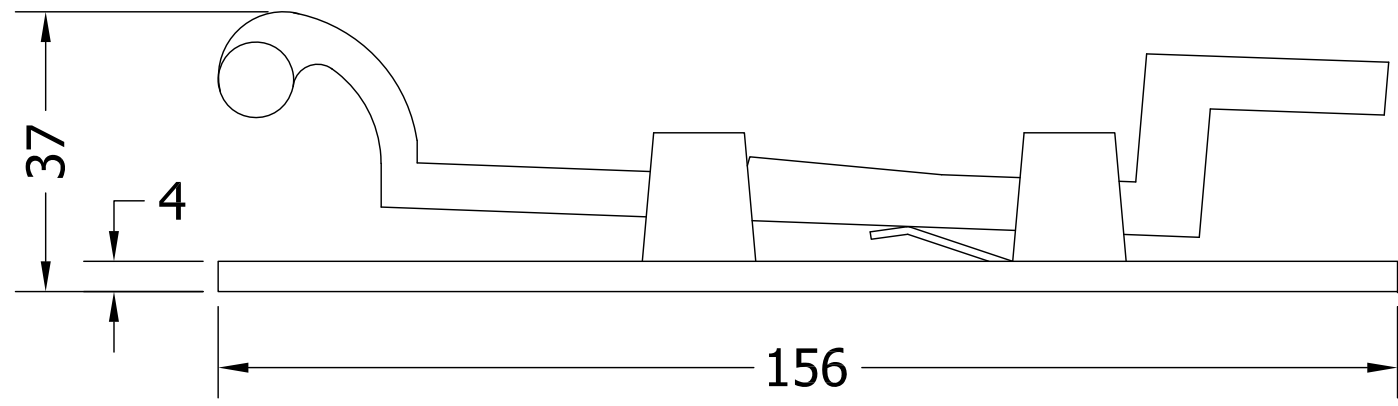
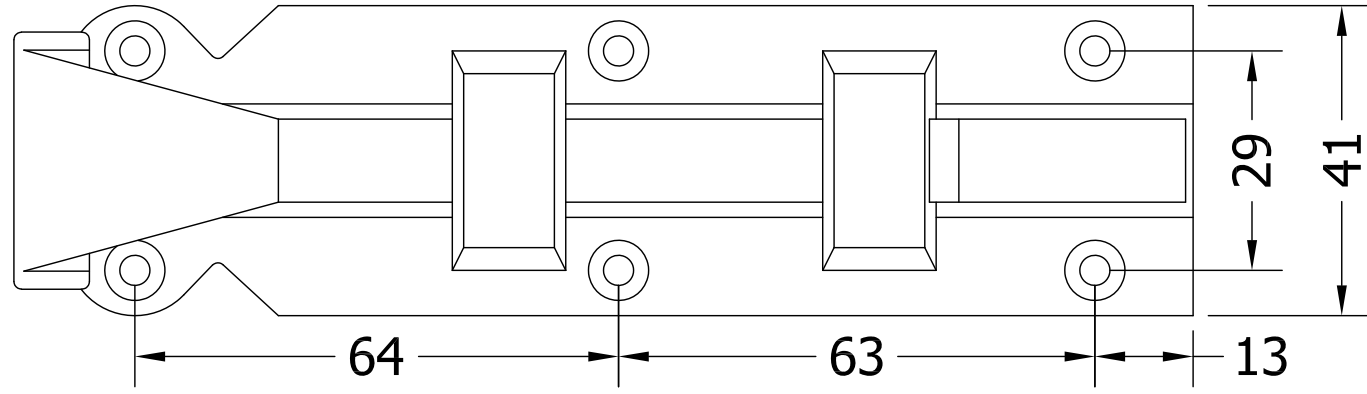
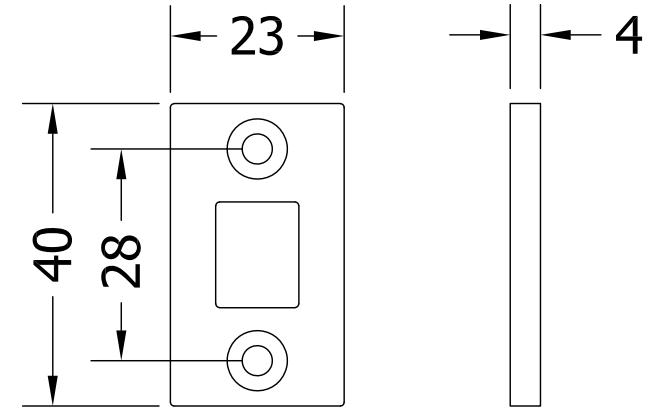


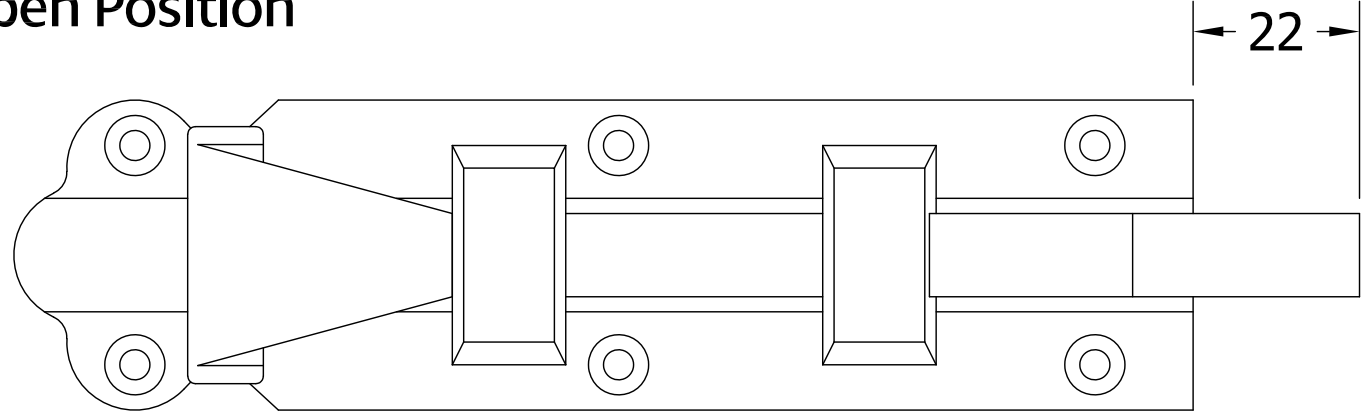
REVISIONS			
Revision	Description	Drawn	Date
A	Release	PW	14/11/17



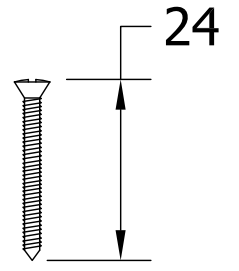
Section A-A



Open Position

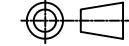


Closed Position (Bolt Fired)



Global House, Bojea Industrial Estate, Trethowel, St Austell, PL25 5RJ
 Telephone | 01726 871725 - Fax | 01726 871731
 Email | sales@coastal-group.com - Web | www.coastal-group.com

Drawing Reference:	
Coastal Group	
Drawing Title:	
BA5563B-BA	
Antique Cranked Door Bolt	
Product Range:	
Door Bolts	
Additional Info:	
Date Drawn:	16/11/2017
Drawn By:	Phil Walklett
Part Number:	BA5563B-BA
File Name:	CG-BA5563B-BA.dwg
Revision:	A
Drawing Scale:	1:1@A3
Sheet Number:	1 of 1

THIRD ANGLE PROJECTION
 This drawing and specification are the property of Coastal Group, they are issued in strict confidence and shall not be reproduced, copied or used without written permission.