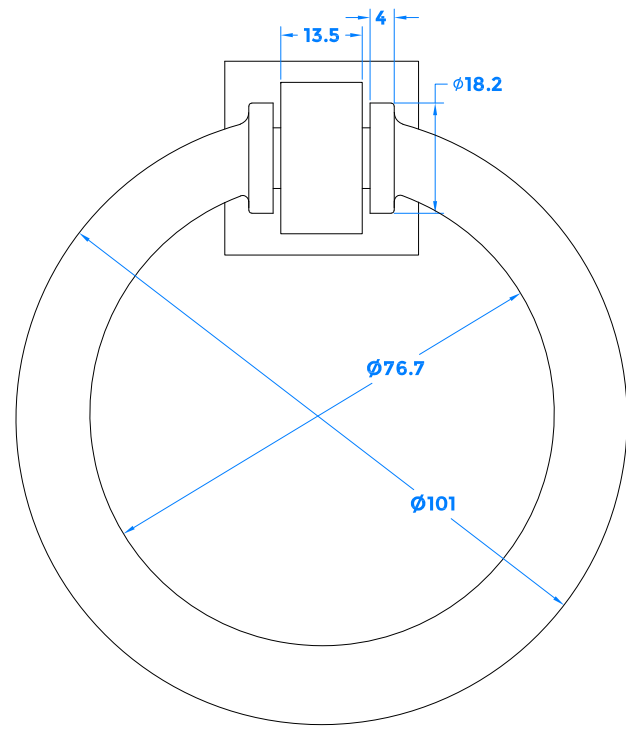
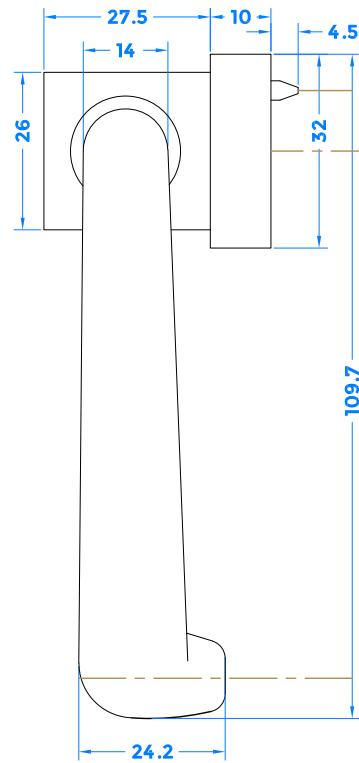


Drawing Revision History		
Revision	Description / Change	Date
A	Release	18/5/2022

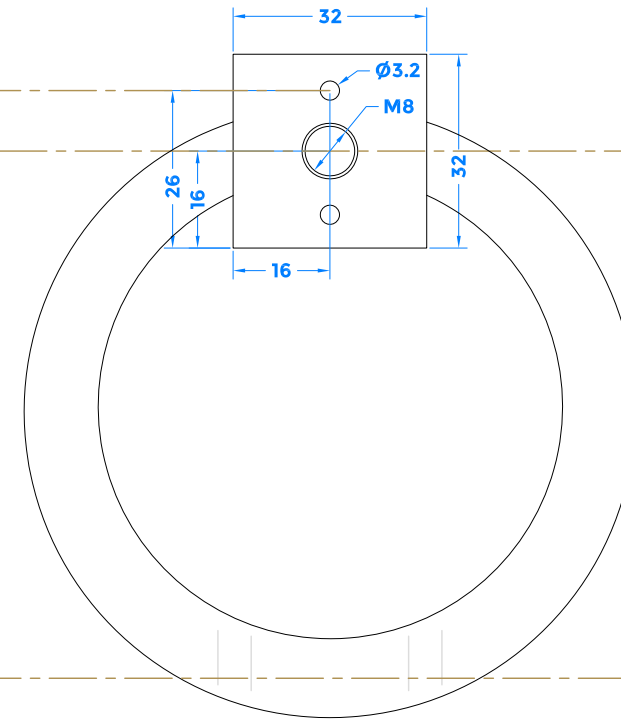
Front View



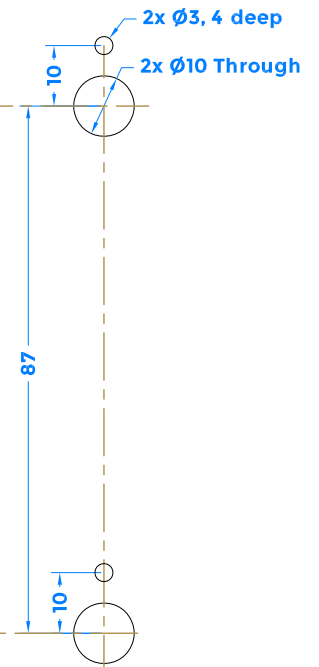
Side View



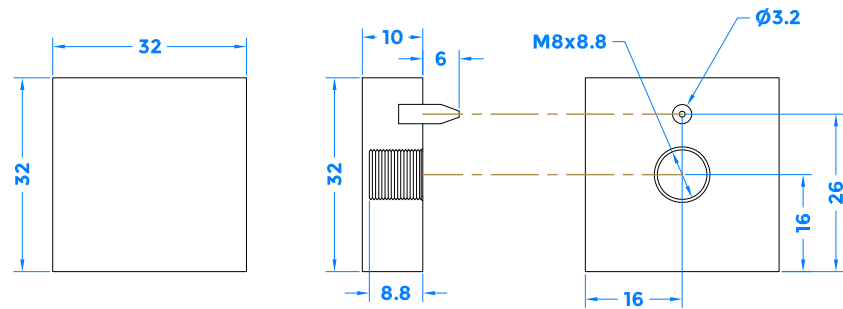
Rear View



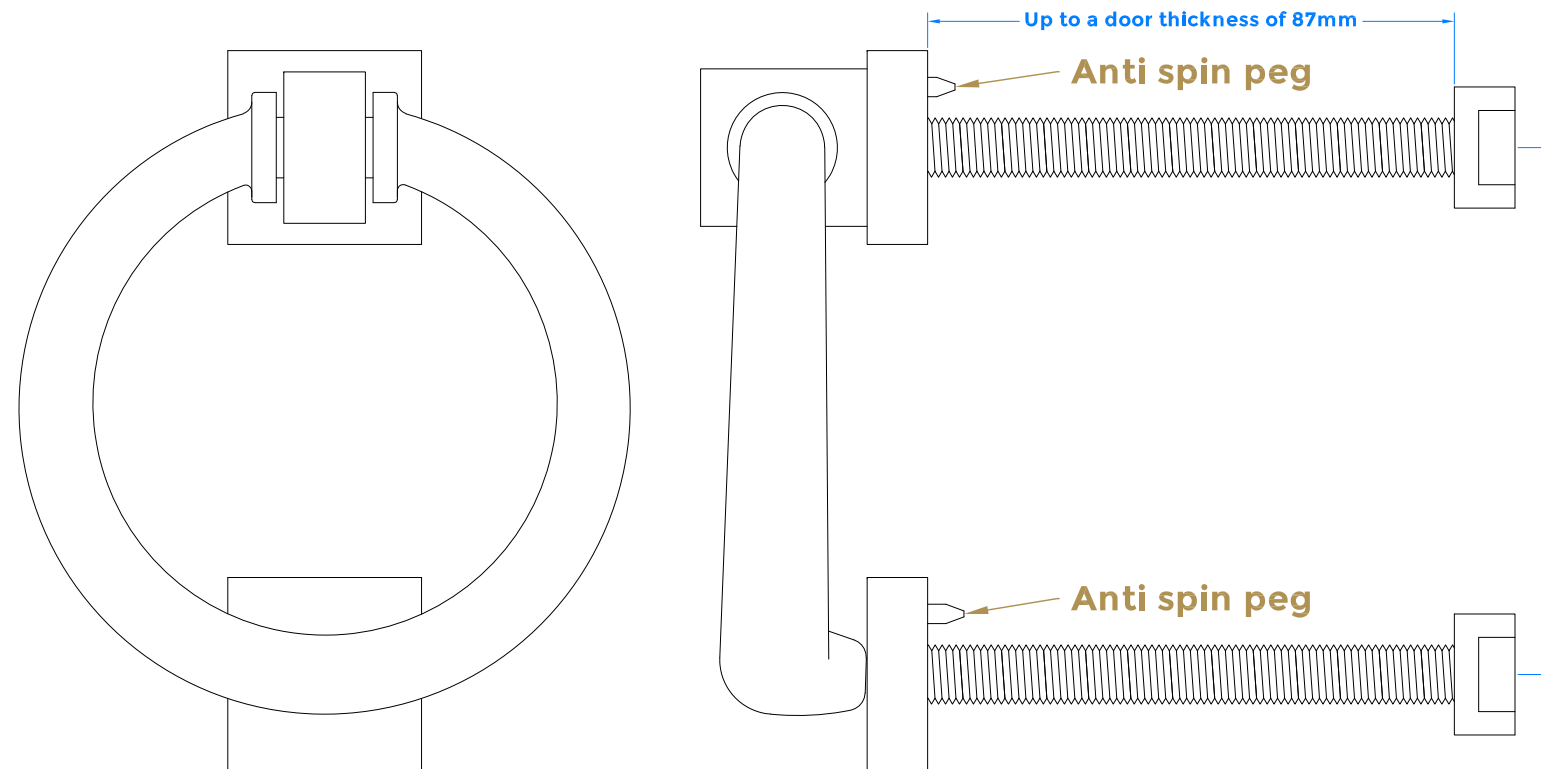
Hole Prep



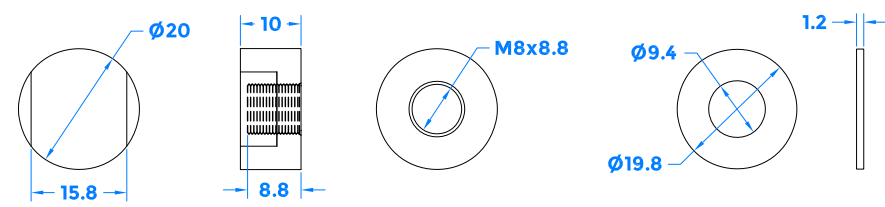
Impact Plate



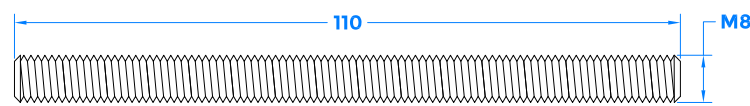
Assembled View



Internal Fixing Caps & Washers



M8 Fixing Bars x 2



coastal-group.com
Shaping the future.

COASTAL

Part Number / Drawing Title:
**DKB200
BLU Ring Door Knocker**

Product Range:
Door Furniture

Material: 316 Stainless Steel

Additional Info: Bolt Through Fixing

Date Drawn: 18/05/2022

Drawn By: Phillip Walklett

Part Number: DKB200

File Name: DKB200.dwg

Revision: A

Drawing Scale: Not to Scale

Sheet Number: 1 of 1

THIRD ANGLE PROJECTION

This drawing and specification are the property of Coastal Specialist Ironmongery Ltd, they are issued in strict confidence and shall not be reproduced, copied or used without written permission.
EAOE - All dimensions are specified in mm.