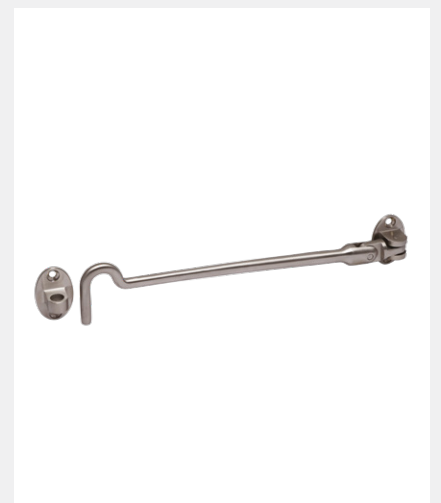
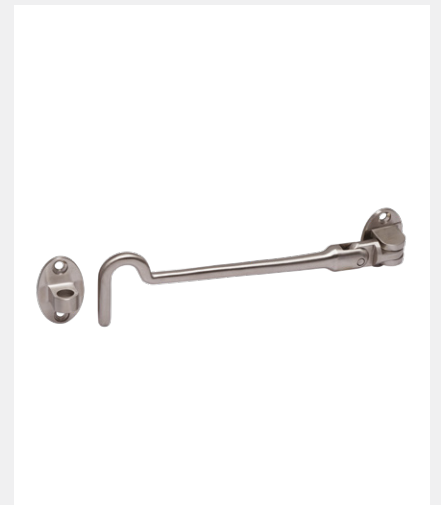
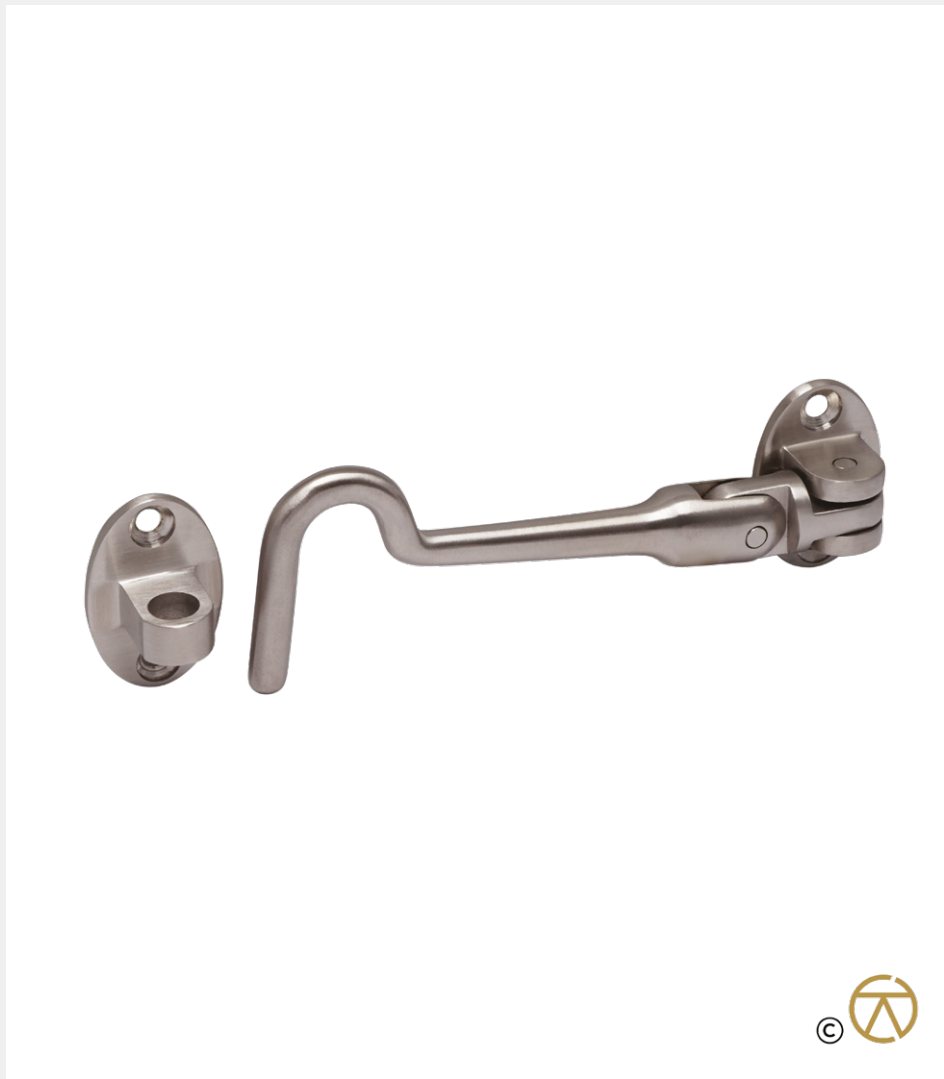


STAINLESS STEEL CABIN HOOK

Product Code: CH100/150/200

LIT-DC-CH100/150/200



316 Marine Grade Stainless Steel Hardware Range

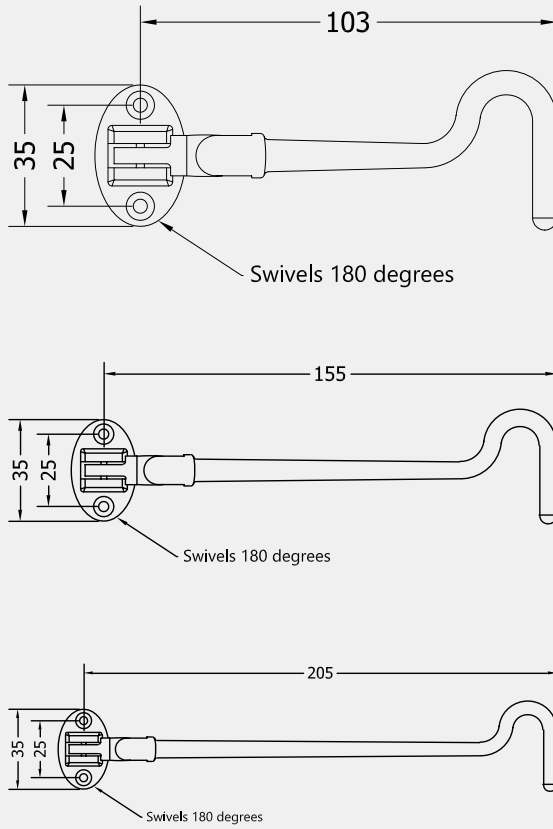
- Architectural quality silent pattern cabin hook and eye set
- Often used on doors and window shutters
- Fire door rated
- Manufactured from solid 316 Marine Grade Stainless Steel



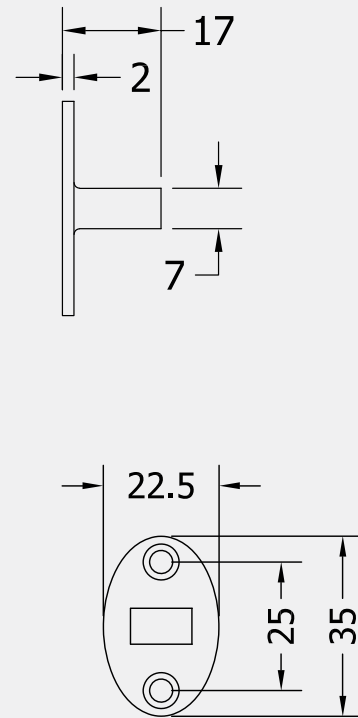
COASTAL

Shaping the future.

Front Profile



Side Profile



Visit www.coastal-group.com for CAD drawings

FINISHES:



SSS

Satin Stainless Steel

PART NUMBER	PRODUCT DESCRIPTION	FINISH	UNITS
CH100-SSS	100mm Cabin hook	SSS	Each
CH150-SSS	150mm Cabin hook	SSS	Each
CH200-SSS	200mm Cabin hook	SSS	Each



COASTAL

Shaping the future.