

# BAR TYPE CYLINDER THUMB TURNS FOR GZT & KPT

Product Code: GZT-BTT/KPT-BTT

LIT-DC-GZT-BTT/KPT-BTT



## *Cylinder Range*

- Large thumbturn for use with 1 Star GZT and 3 Star KPT cylinders
- Provides enhanced leverage for operating cylinder, ideal for elderly or disabled
- Easy to fit
- Manufactured from 316 Marine Grade Stainless Steel making them ideal for use in corrosive environments such as coastal areas

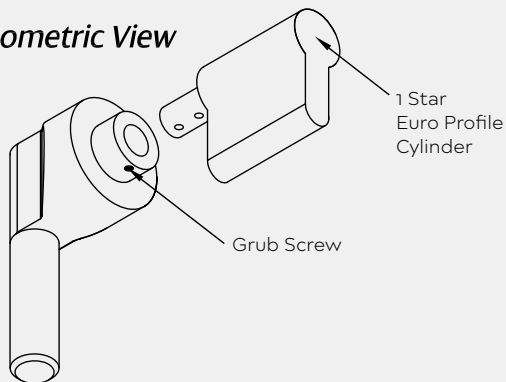


# COASTAL

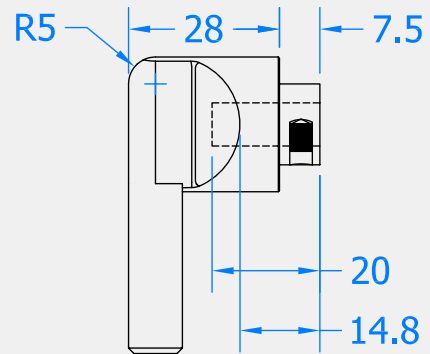
*Shaping the future.*

Isometric Profile

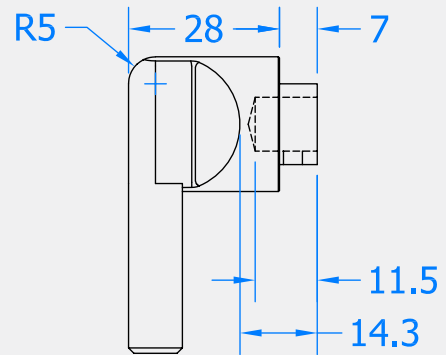
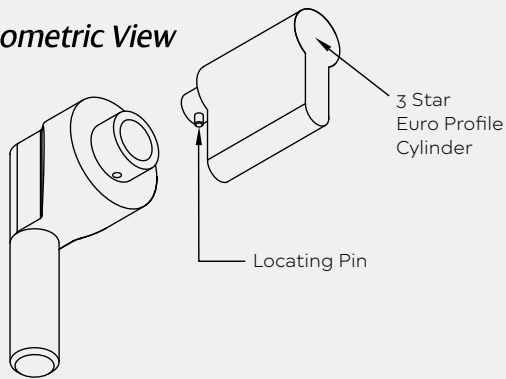
*Isometric View*



Side Profile



*Isometric View*



Visit [www.coastal-group.com](http://www.coastal-group.com) for CAD drawings

FINISHES:



**SSS**  
 Satin Stainless Steel

PART NUMBER	PRODUCT DESCRIPTION	FINISH	UNITS
GZT-BTT-316-SSS	Bar type thumbturn for GZT cylinder	<b>SSS</b>	Each
KPT-BTT-316-SSS	Bar type thumbturn for KPT cylinder	<b>SSS</b>	Each



**COASTAL**

*Shaping the future.*