

# LARGE THUMB TURN ONLY FOR 1 STAR CYLINDERS

---

Product Code: GZZ8259

LIT-DC-GZZ8259



## *Cylinder Range*

- Large thumbturn for use with GZT cylinders
- Provides a greater grip area, ideal for elderly or disabled

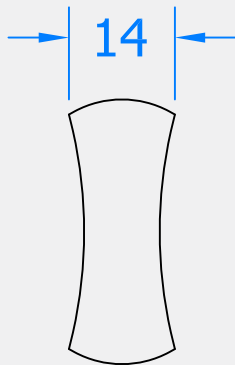


**COASTAL**

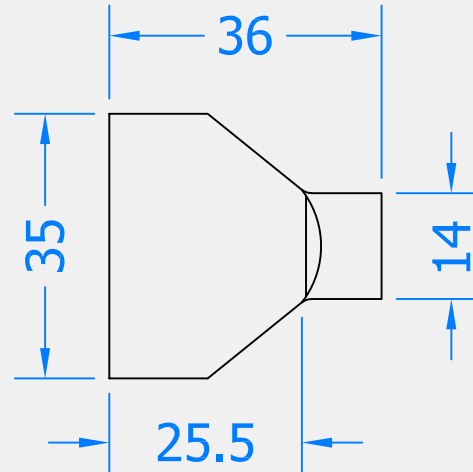
*Shaping the future.*

LARGE THUMB TURN ONLY FOR 1 STAR CYLINDERS

Front Profile



Side Profile



Visit [www.coastal-group.com](http://www.coastal-group.com) for CAD drawings

FINISHES:



**NK**  
Nickel



**SB**  
Satin Brass

PART NUMBER	PRODUCT DESCRIPTION	FINISH	UNITS
GZZ8259-NK	Large replacement thumbturn	<b>NK</b>	Each
GZZ8259-SB	Large replacement thumbturn	<b>SB</b>	Each



**COASTAL**

*Shaping the future.*