

3 STAR SECURITY EURO PROFILE DOUBLE CYLINDERS

Product Code: KPD

LIT-DC-KPD



Cylinder Range

- 3 Star High Security Euro Profile Double Cylinder
- Kitemark approved – TS007 3 Star, Class 6 Security Standard EN 1303, BS 3621 - Achieved highest grade 5 in EN 1670 Corrosion Resistance Test making it suitable for use in corrosive environments such as on the coast
- Anti-Snap - The front section of the cylinder is designed to snap off when forced, leaving the cylinder in place, and the door secure
- Anti-Pull - Advanced plug extraction protection
- Anti-Drill - High strength materials and a robust construction withstands prolonged drilling
- Crumple Zone - The cylinder will collapse to a predefined pattern when under attack, leaving the core mechanism intact and preventing forced override of the cylinder
- Grip Resistant - Prevents intruders wrenching the cylinder with grips
- Interlocking Cam - The cams within the cylinder are designed to interlock, providing a greater degree of security
- Anti-Bump - Resists 'bumping' - preventing inserting of an illegal key and tapping to release the cam and open the door
- 3-star cylinder Secured by Design accredited, SBD license held by Dormakaba
- Patent protected key blanks, preventing illegal key copying
- Provides 3 Star rating for your door whatever door handle you fit
- Available in Keyed Alike or Keyed to Differ with 2 keys and a security key card



Successfully used in
our Part Q Test

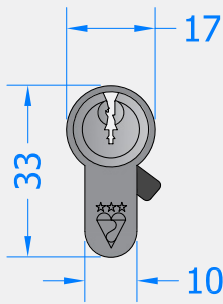


COASTAL

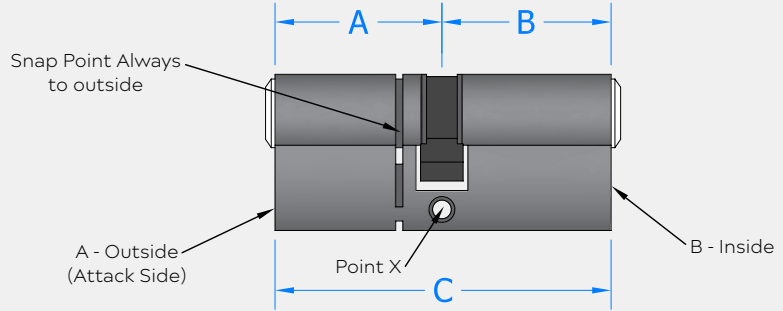
Shaping the future.

3 STAR SECURITY EURO PROFILE DOUBLE CYLINDERS

Front Profile



Side Profile



Note: Cylinder part numbers explained:

Example: **KPD3535-KTD-NK**

KPD (Double Cylinder) - 35 (Outside / Attack Side Key) - 35 (Inside) - KTD (Keyed to Differ) - NK (Nickel)

Example: **KPT3535-RKA-BKM**

KPT (Thumb Turn Cylinder) - 35 (Outside / Attack Side Key) - 35 (Inside Thumb Turn) - RKA (Random Keyed Alike) - BKM (Black)

Measurement of A + B Should Always = C

Visit www.coastal-group.com for CAD drawings

FINISHES:



NK
Nickel



SB
Satin Brass



BKM
Black

Spare key available,
order code: **KP-KEY**



If the size or finish of cylinder you need isn't listed above please contact us to discuss your requirements on **01726 871 025** or sales@coastal-group.com

KTD = Key To Differ
RKA = Random Keyed Alike

Random Keyed Alike are made to order, call for delivery times

PART NUMBER	PRODUCT DESCRIPTION	FINISH	UNITS
KPD3535-KTD-NK	Double Cylinder	NK	Each
KPD3535-KTD-SB	Double Cylinder	SB	Each
KPD3535-KTD-BKM	Double Cylinder	BKM	Each
KPD3545-KTD-NK	Double Cylinder	NK	Each
KPD3545-KTD-SB	Double Cylinder	SB	Each
KPD3550-KTD-NK	Double Cylinder	NK	Each
KPD4040-KTD-NK	Double Cylinder	NK	Each
KPD4040-KTD-SB	Double Cylinder	SB	Each
KPD4040-KTD-BKM	Double Cylinder	BKM	Each
KPD4510-KTD-NK	Half Cylinder	NK	Each
KPD4535-KTD-NK	Double Cylinder	NK	Each
KPD4535-KTD-SB	Double Cylinder	SB	Each
KPD4545-KTD-NK	Double Cylinder	NK	Each
KPD4545-KTD-SB	Double Cylinder	SB	Each
KPD4545-KTD-BKM	Double Cylinder	BKM	Each
KPD5040-KTD-NK	Double Cylinder	NK	Each
KPD5050-KTD-NK	Double Cylinder	NK	Each
KPD5050-KTD-BKM	Double Cylinder	BKM	Each
KPD5540-KTD-BKM	Double Cylinder	BKM	Each



COASTAL

Shaping the future.