

# 1 STAR SECURITY EURO PROFILE DOUBLE CYLINDER

Product Code: GZD

LIT-DC-GZD



## Cylinder Range

- 1 Star Security Euro Profile Double Cylinder
- Kite Mark Certified to enhanced security performance requirements - BS EN 1303, TS007:2014+Al:2015, KM 544418
- Resistant to attack
- Resistant against manipulation
- Resistant against drilling
- Resistant against pulling
- Features a Sacrificial Break Cut and Metal Strengthening Bar for additional defence against snapping
- Suitable for use on 1 hour timber based fire doors when fitted in conjunction with a CE fire tested latch or lock to BS 476 : Part 22 : 1987 or BS EN 1634-1 2000
- Available in Keyed Alike with 2 keys or Keyed to Differ with 3 keys

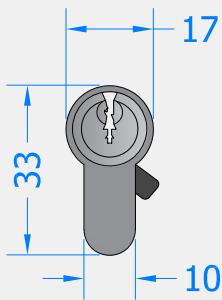


# COASTAL

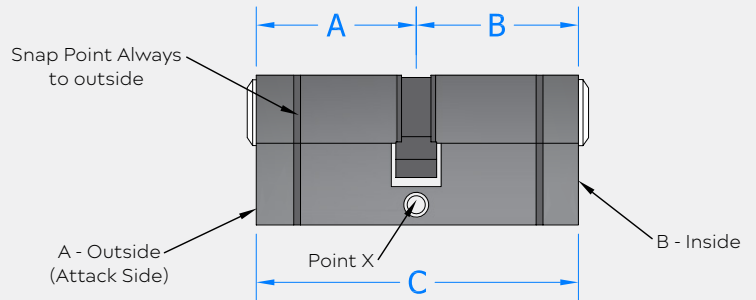
*Shaping the future.*

# 1 STAR SECURITY EURO PROFILE DOUBLE CYLINDER

Front Profile



Side Profile



Note: Cylinder part numbers explained:

Example: **GZD4545-KTD-NK**

GZD (Double Cylinder) - 45 (Outside / Attack Side Key) - 45 (Inside) - KTD (Keyed to Differ) - NK (Nickel)

Example: **GZT3545-KA-SB**

GZT (Thumb Turn Cylinder) - 35 (Outside / Attack Side Key) - 45 (Inside Thumb Turn) - KA (Keyed Alike) - SB (Satin Brass)

Measurement of A + B Should Always = C

Visit [www.coastal-group.com](http://www.coastal-group.com) for CAD drawings

## FINISHES:



**NK**  
Nickel



**SB**  
Satin Brass

Spare key available,  
order code: **GZK-KA-KEY**



If the size or finish of cylinder you need isn't listed above please contact us to discuss your requirements on **01726 871 025** or [sales@coastal-group.com](mailto:sales@coastal-group.com)

| PART NUMBER    | PRODUCT DESCRIPTION | FINISH | UNITS |
|----------------|---------------------|--------|-------|
| GZD1035-KA-NK  | Half cylinder       | NK     | Each  |
| GZD1045-KA-NK  | Half cylinder       | SB     | Each  |
| GZD1045-KA-SB  | Half cylinder       | SB     | Each  |
| GZD1045-KTD-NK | Half cylinder       | NK     | Each  |
| GZD3030-KTD-NK | Double cylinder     | NK     | Each  |
| GZD3535-KA-NK  | Double cylinder     | NK     | Each  |
| GZD3535-KTD-NK | Double cylinder     | NK     | Each  |
| GZD3535-KTD-SB | Double cylinder     | SB     | Each  |
| GZD3545-KA-NK  | Double cylinder     | NK     | Each  |
| GZD3545-KA-SB  | Double cylinder     | SB     | Each  |
| GZD3545-KTD-NK | Double cylinder     | NK     | Each  |
| GZD3545-KTD-SB | Double cylinder     | SB     | Each  |
| GZD3550-KA-NK  | Double cylinder     | NK     | Each  |
| GZD3550-KTD-NK | Double cylinder     | NK     | Each  |
| GZD4040-KA-NK  | Double cylinder     | NK     | Each  |
| GZD4040-KA-SB  | Double cylinder     | SB     | Each  |
| GZD4040-KTD-NK | Double cylinder     | NK     | Each  |
| GZD4040-KTD-SB | Double cylinder     | SB     | Each  |
| GZD4045-KA-NK  | Double cylinder     | NK     | Each  |
| GZD4050-KA-NK  | Double cylinder     | NK     | Each  |
| GZD4050-KTD-NK | Double cylinder     | NK     | Each  |
| GZD4545-KA-NK  | Double cylinder     | NK     | Each  |
| GZD4545-KTD-NK | Double cylinder     | NK     | Each  |
| GZD4545-KTD-SB | Double cylinder     | SB     | Each  |
| GZD5050-KTD-SB | Double cylinder     | SB     | Each  |



# COASTAL

*Shaping the future.*