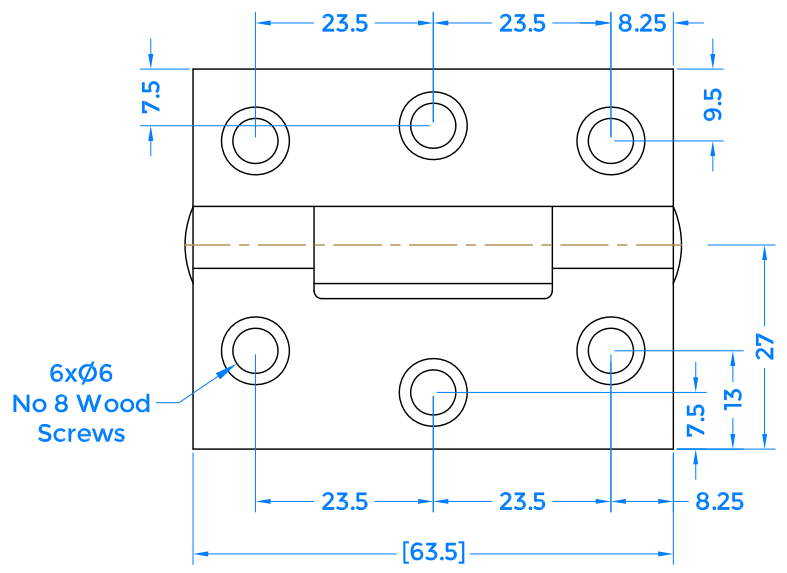
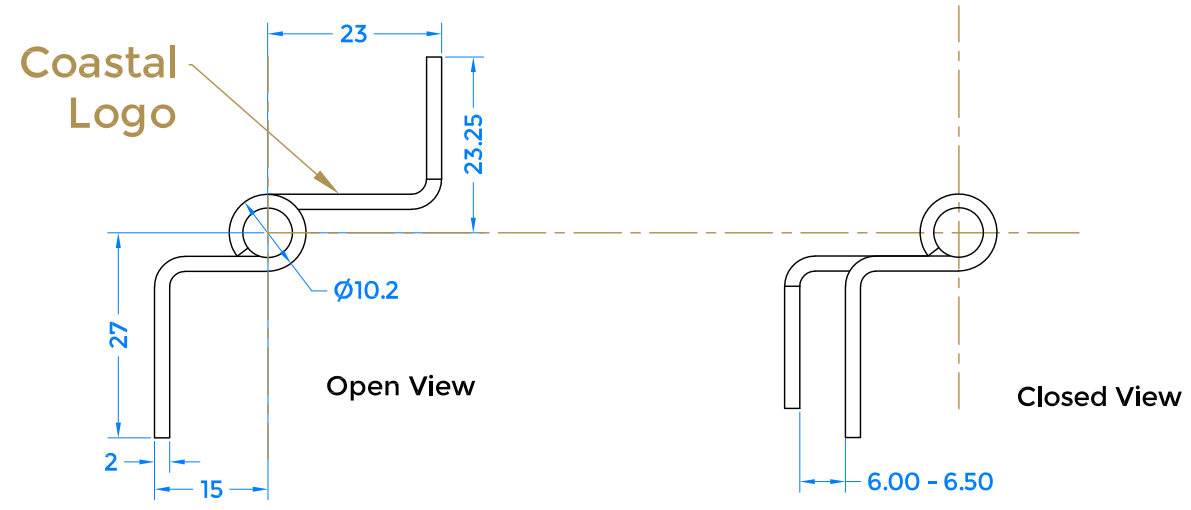


REVISION HISTORY

Revision	Description	Date
A	Release	27/07/2021





coastal-group.com
Shaping the future

COASTAL

Part Number / Drawing Title:
**HX60
63.5mm Stormproof Butt Hinges**

Product Range:
Window Hinges

Material: **316 Stainless Steel**

Additional Info: **6.00 - 6.5mm GAP**

Date Drawn: **27/07/2021**

Drawn By: **Phillip Walklett**

Part Number: **HX60**

File Name: **HX60.dwg**

Revision: **A**

Drawing Scale: **1:1@ A4**

Sheet Number: **1 of 1**

THIRD ANGLE PROJECTION



This drawing and specification are the property of Coastal Specialist Ironmongery Ltd, they are issued in strict confidence and shall not be reproduced, copied or used without written permission.
E&OE - All dimensions are specified in mm.