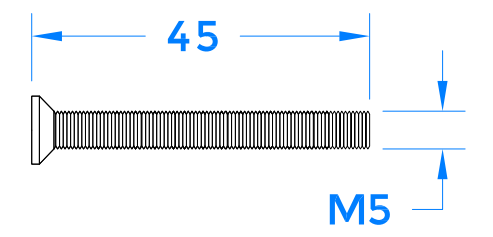
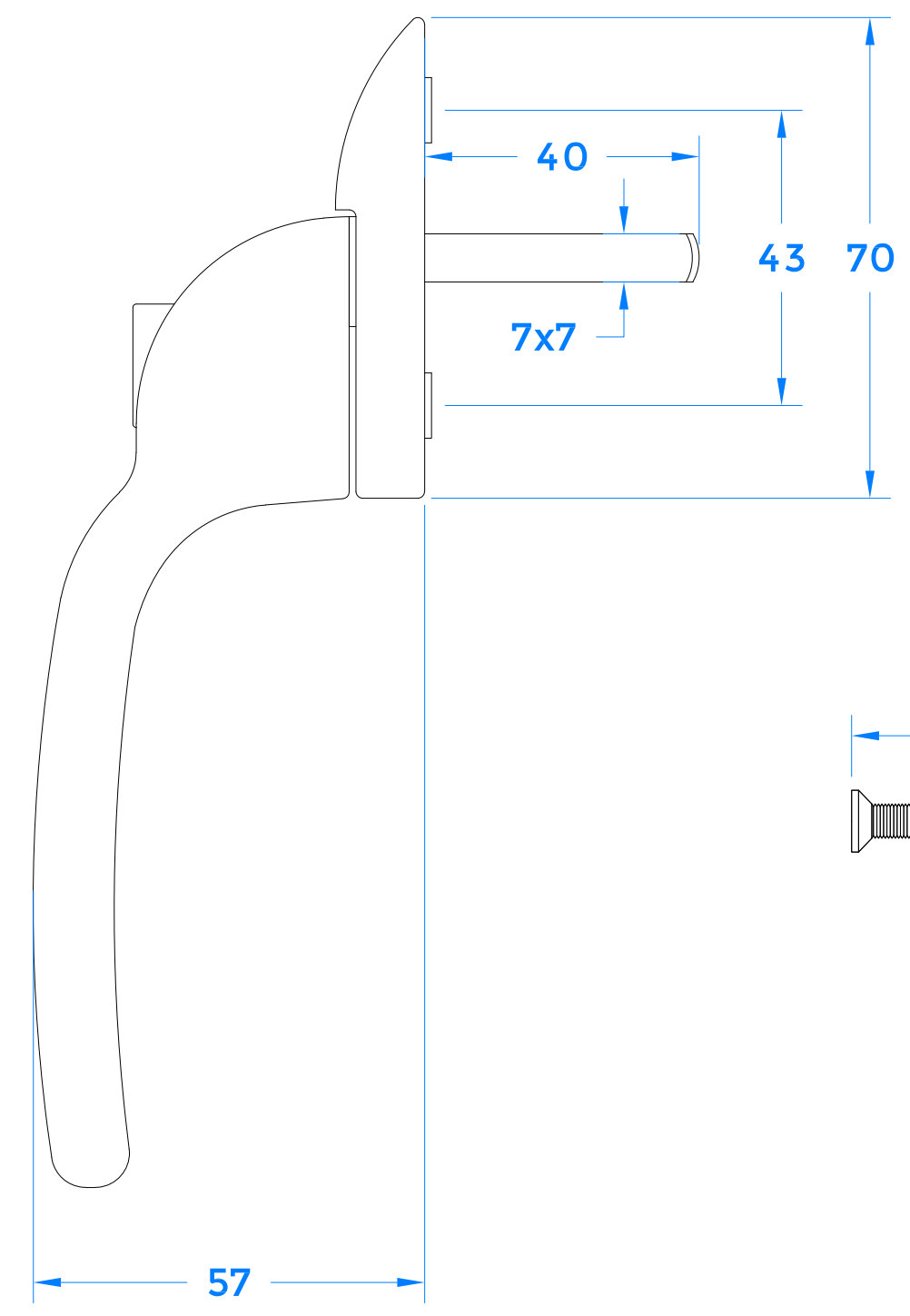
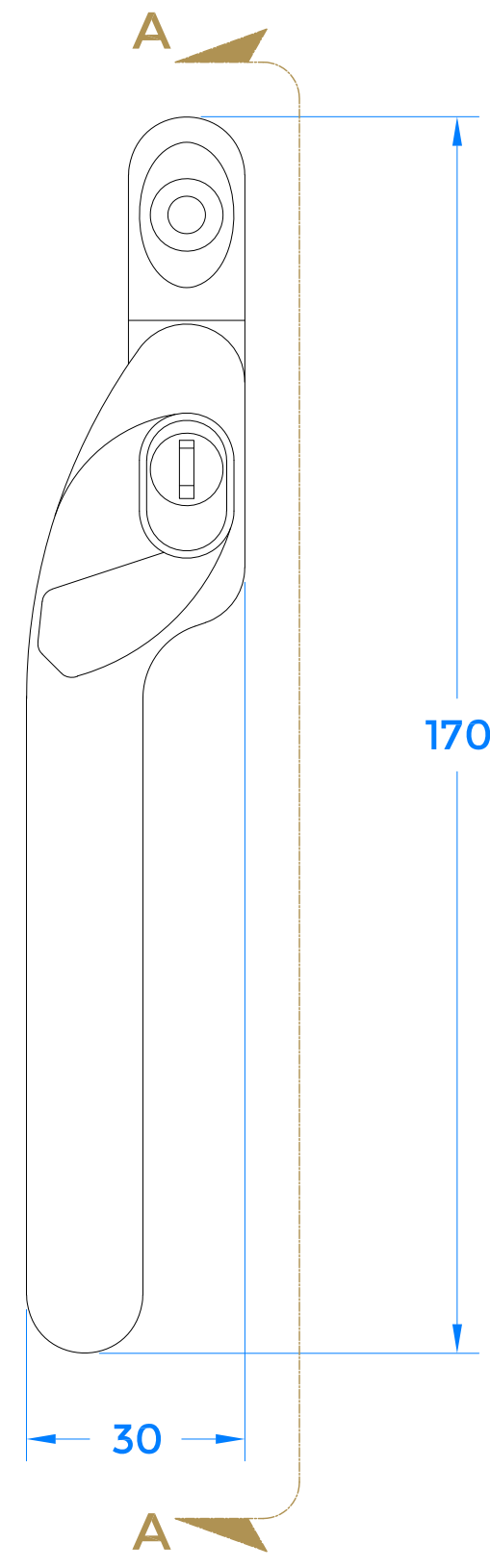


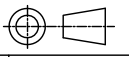
REVISION HISTORY		
Revision	Description	Date
A	Release	28/07/21

Left Hand Shown.



**FIXINGS**

**SECTION A-A**

 <b>COASTAL</b>		coastal-group.com <i>Shaping the future</i>
Part Number / Drawing Title: <b>CS168L Connoisseur          Offset Locking Window Handle</b>		
Product Range: <b>Window Handles</b>		
Material: <b>Aluminium</b>		
Additional Info: <b>Left Hand Shown, Right Hand Opposite</b>		
Date Drawn: <b>28/07/2021</b>		
Drawn By: <b>Phillip Walklett</b>		
Part Number: <b>CS168L</b>		
File Name: <b>CS168L.dwg</b>		
Revision: <b>A</b>		
Drawing Scale: <b>1:1@ A3</b>		
Sheet Number: <b>1 of 1</b>		
THIRD ANGLE PROJECTION 		<small>This drawing and specification are the property of Coastal Specialist Ironmongery Ltd, they are issued in strict confidence and shall not be reproduced, copied or used without written permission. E&amp;OE - All dimensions are specified in mm.</small>