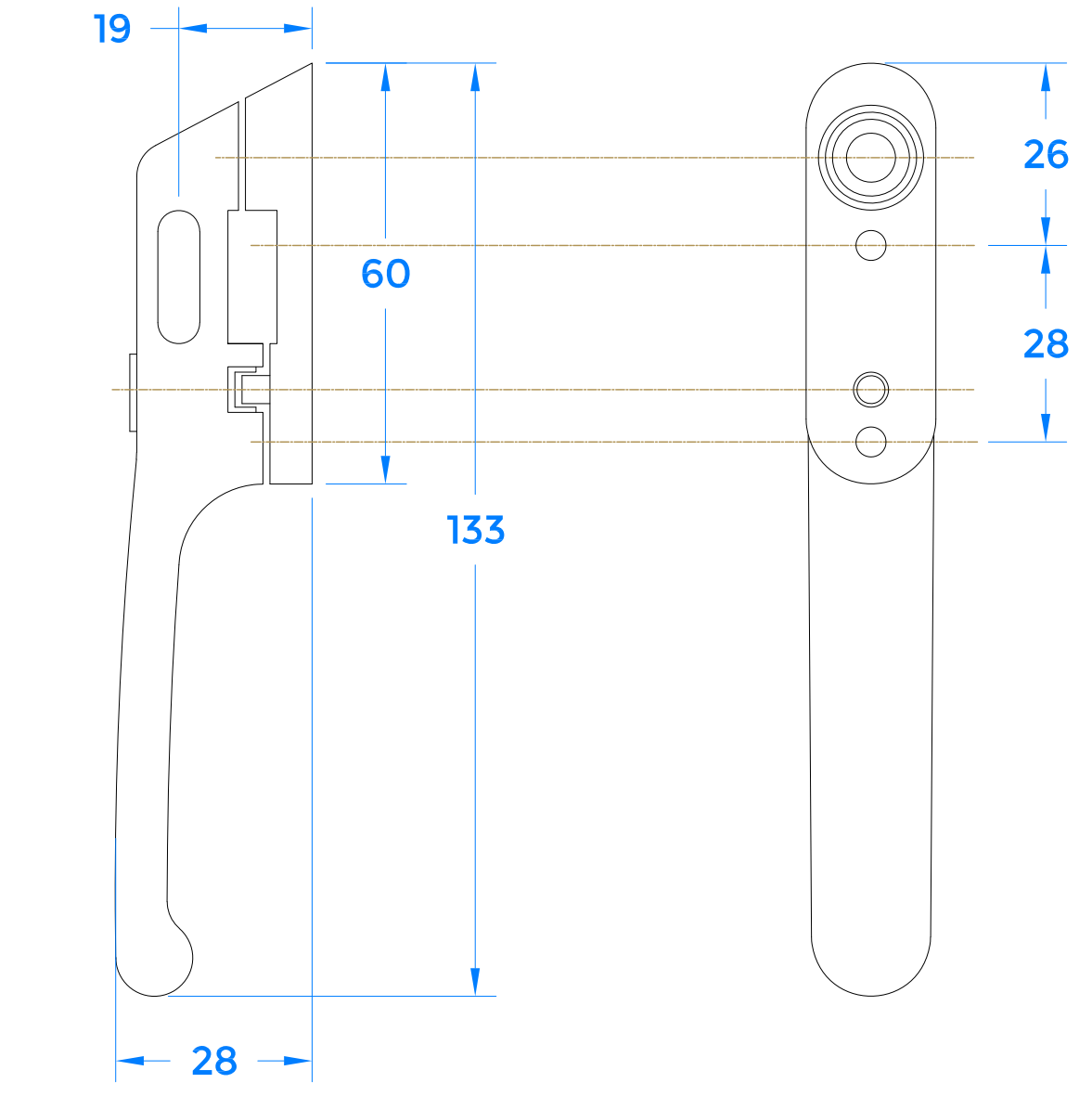
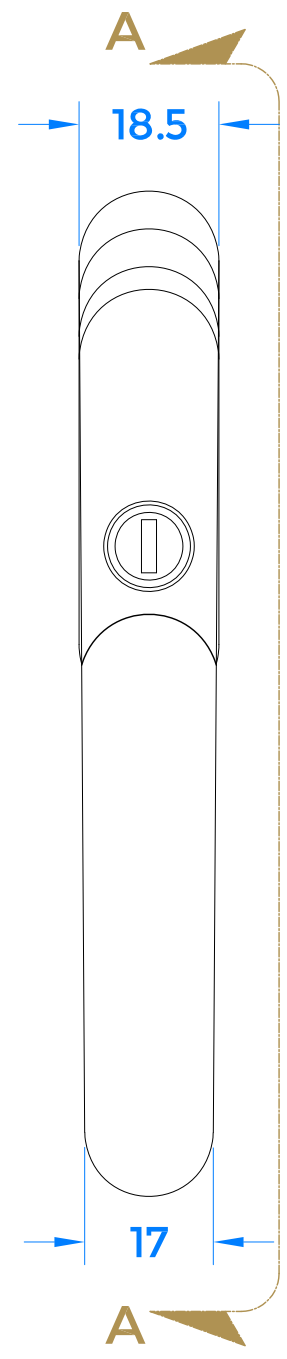
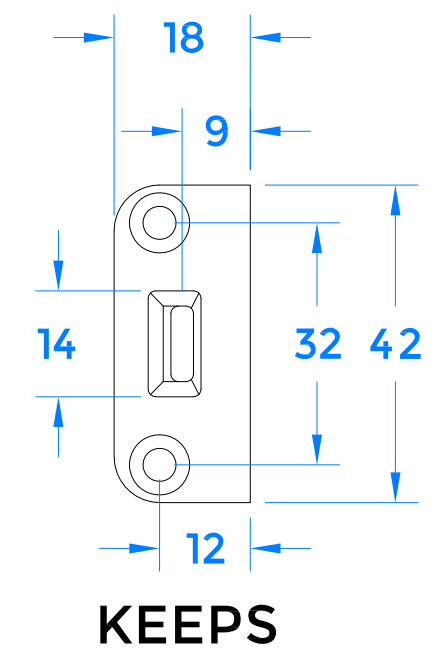


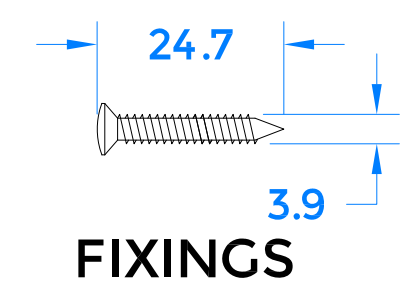
REVISION HISTORY		
Revision	Description	Date
A	Release	28/07/21



SECTION A-A



KEEPS



FIXINGS



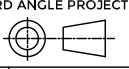
coastal-group.com  
*Shaping the future*

**COASTAL**

Part Number / Drawing Title:  
**CR133-FAST**  
**Craftsman Locking Fastener**

Product Range:  
**Window Handles**

Material:	
Additional Info:	<b>Universal Handing</b>
Date Drawn:	<b>28/07/2021</b>
Drawn By:	<b>Philip Walklett</b>
Part Number:	<b>CR133-FAST</b>
File Name:	<b>CR133-FAST.dwg</b>
Revision:	<b>A</b>
Drawing Scale:	<b>1:1@ A3</b>
Sheet Number:	<b>1 of 1</b>

THIRD ANGLE PROJECTION 

This drawing and specification are the property of Coastal Specialist Ironmongery Ltd, they are issued in strict confidence and shall not be reproduced, copied or used without written permission. E&OE - All dimensions are specified in mm.

8 Din A3 - Landscape