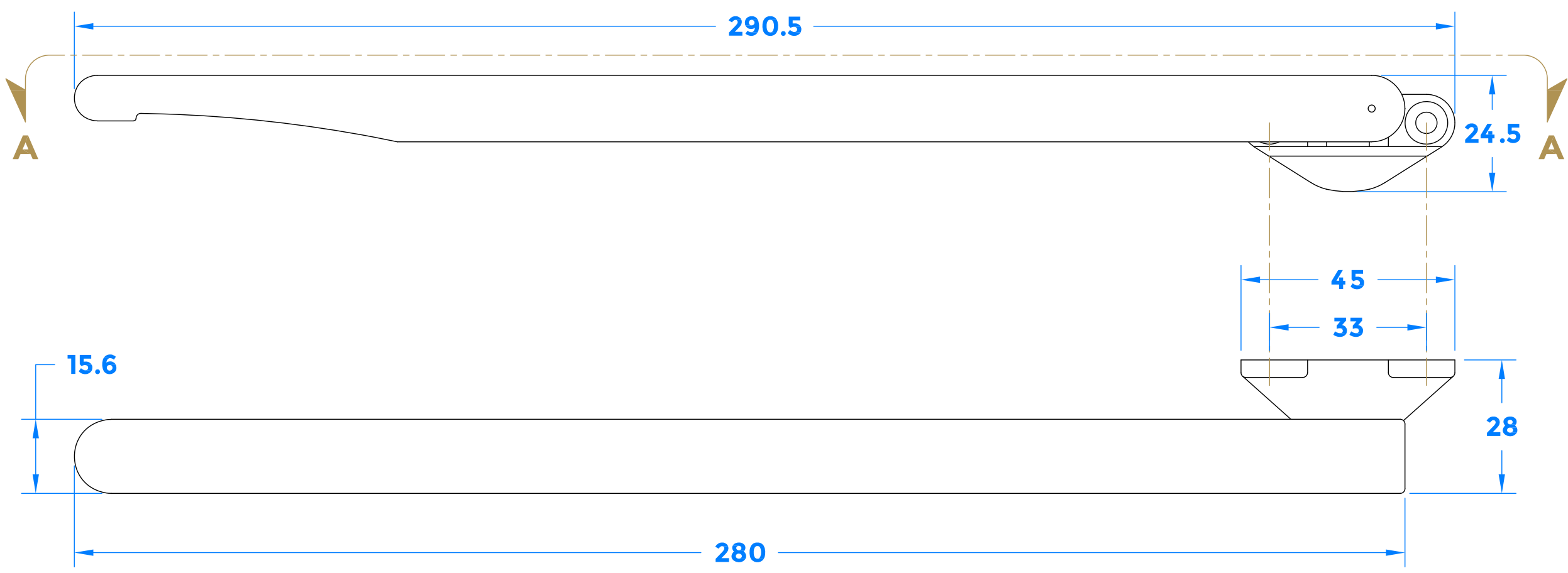
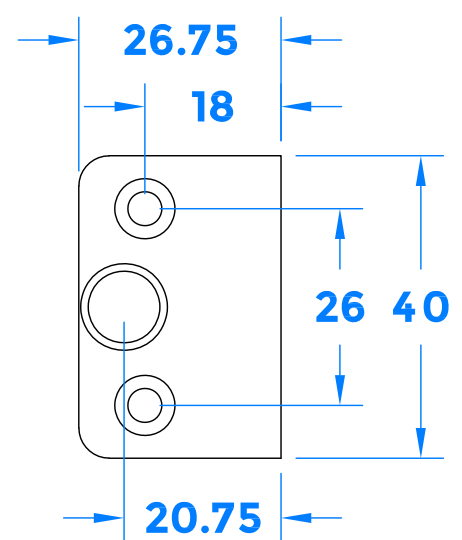


REVISION HISTORY		
Revision	Description	Date
A	Release	28/07/21

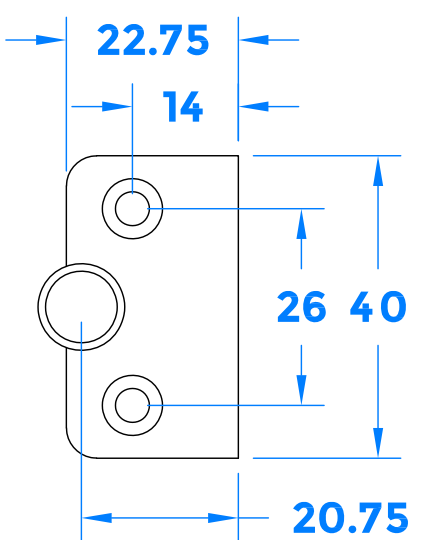


SECTION A-A

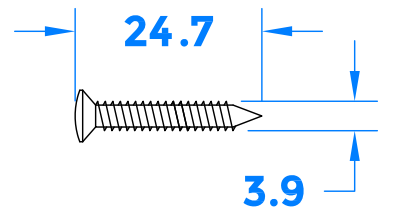
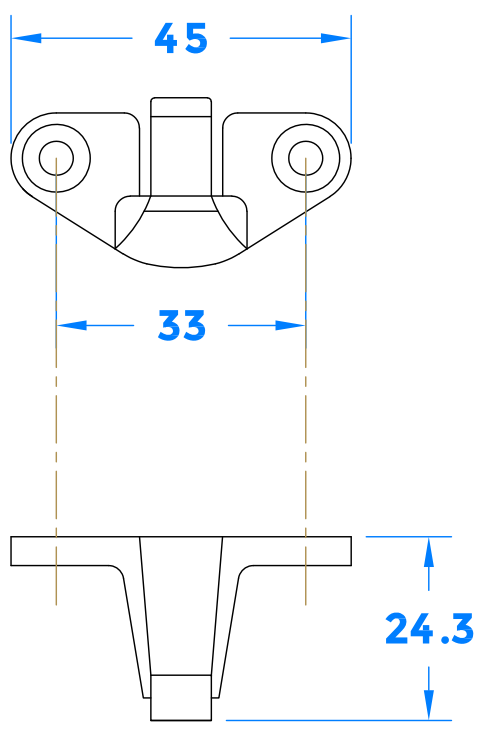
Angled Keep



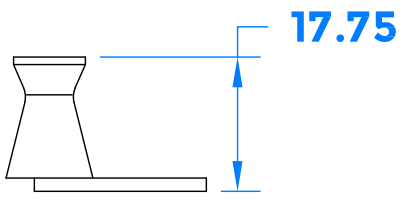
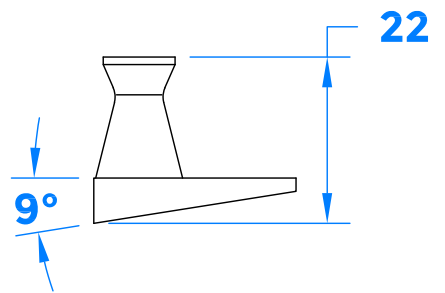
Flat Keep




Latch



FIXINGS





coastal-group.com
Shaping the future

COASTAL

Part Number / Drawing Title:
CR280-STAY
Craftsman Window Stay

Product Range:
Window Stays

Material:	
Additional Info:	Non-Locking
Date Drawn:	28/07/2021
Drawn By:	Phillip Walklett
Part Number:	CR280-STAY
File Name:	CR280-STAY.dwg
Revision:	A
Drawing Scale:	1:1@ A3
Sheet Number:	1 of 1

THIRD ANGLE PROJECTION

This drawing and specification are the property of Coastal Specialist Ironmongery Ltd. they are issued in strict confidence and shall not be reproduced, copied or used without written permission.
E&OE - All dimensions are specified in mm.