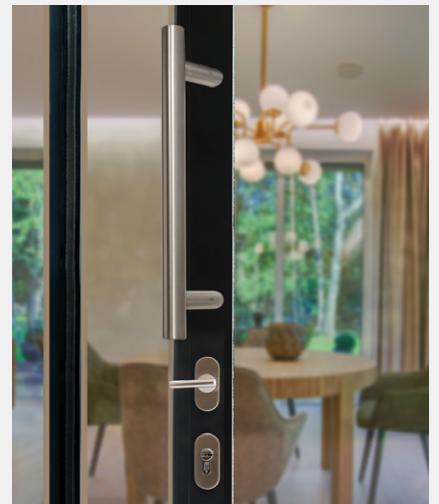


BLU RANGE

STRAIGHT SLIDE DOOR HANDLES - OFFSET ROUND 'T' BAR

LIT-DC-ORPH



316 Marine Grade Stainless Steel Hardware Range

- Finest quality offset round 'T' bar pull handle
- Heavy duty 1.5mm stainless steel wall thickness for a superior feel & increased tensile strength
- Handle ends are CNC machined for a precision engineered consistent finish
- Part of a suited range of door & window hardware
- Designed with no middle stem to avoid conflicting with locking mechanism
- Manufactured from 316 Marine Grade Stainless Steel
- Ideal for use where corrosion levels are high, such as coastal environments and in acidic timber
- Lifetime guarantee

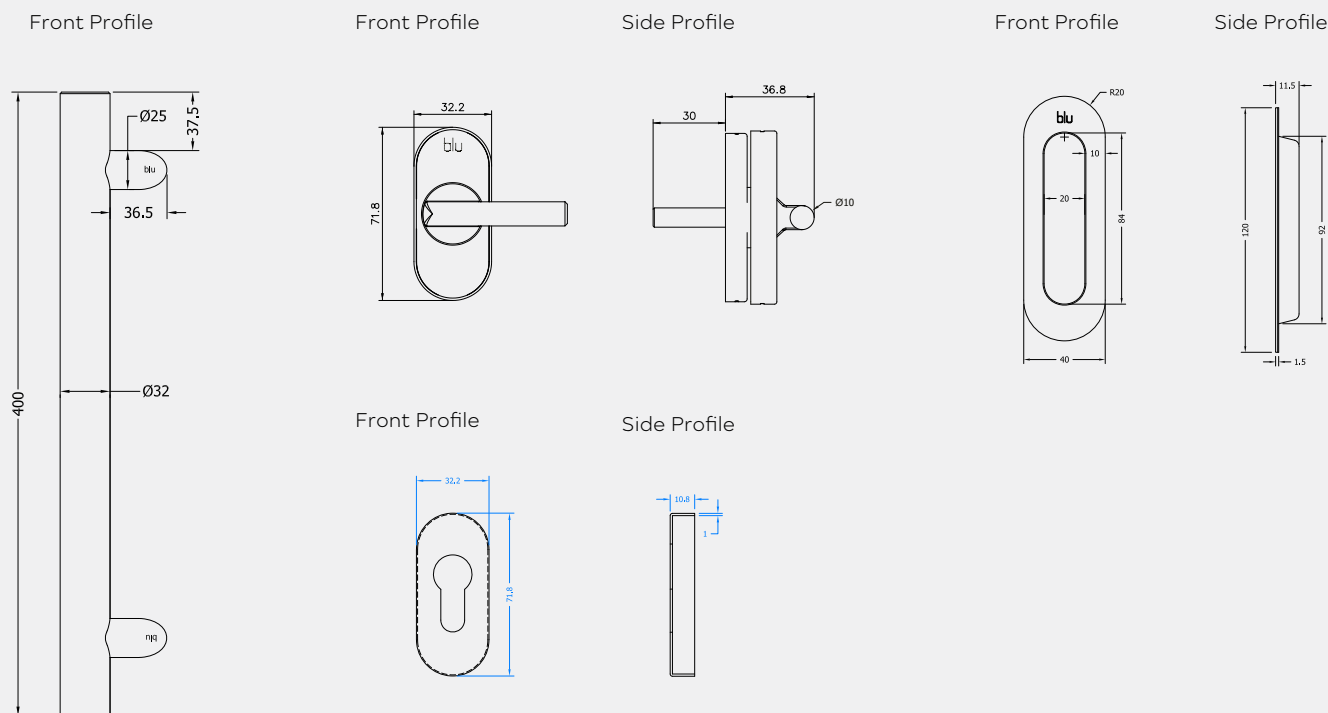
T 01726 871 025 E sales@coastal-group.com W coastal-group.com
© Coastal Specialist Ironmongery Ltd 2021



COASTAL

Shaping the future.

STRAIGHT SLIDE DOOR HANDLES - OFFSET ROUND 'T' BAR

Visit www.coastal-group.com for CAD drawings

CONFIGURATIONS & FINISHES:



HAB66-400-UF-SSS

SSS

Satin Stainless Steel



HAB66-400-UF-MBL

MBL

Matt Black



HAB66-KIT-400-SA-SSS

SSS

Satin Stainless Steel



KM850-SING-SSS

SSS

Satin Stainless Steel



KM850-SING-MBL

MBL

Matt Black



KM850-PAIR-SSS

SSS

Satin Stainless Steel

PART NUMBER	PRODUCT DESCRIPTION	FINISH	UNITS
HAB66-400-UF-SSS	400mm Offset 'T' bar, universal fix	SSS	Each*
HAB66-400-UF-MBL	400mm Offset 'T' bar, universal fix	MBL	Each*
HAB66-KIT-400-SA-SSS	400mm Offset 'T' bar, secret fix , c/w fixings	SSS	Kit
KM850-SING-SSS	400mm Offset 'T' bar, oval rose	SSS	Kit
KM850-SING-MBL	400mm Offset 'T' bar, oval rose	MBL	Kit
KM850-PAIR-SSS	400mm Offset 'T' bar, oval rose	SSS	Kit
KM850-PAIR-MBL	400mm Offset 'T' bar, oval rose	MBL	Kit



KM850-PAIR-MBL

MBL

Matt Black

* NOTE - For back to back please order two handles

UNIVERSAL FIXING METHOD - CHOSE THE FIXING KIT YOU REQUIRE

FX-10030
Secret Fix - AluminiumFX-UF-FX-BB
Back to Back FixFX-UF-FK-BF-SSS
Bolt FixFX-UF-FK-BF-MBL
Bolt FixFX-UF-FK-SF
Secret Fix - Timber


COASTAL
Shaping the future.

T 01726 871 025 E sales@coastal-group.com W coastal-group.com

© Coastal Specialist Ironmongery Ltd 2021