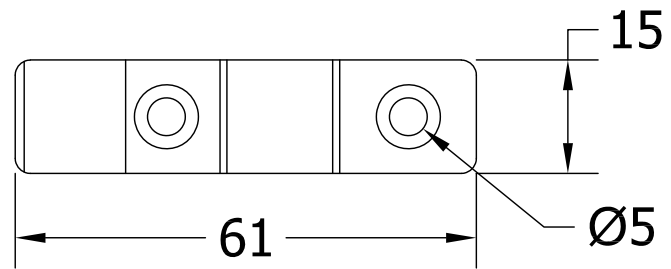
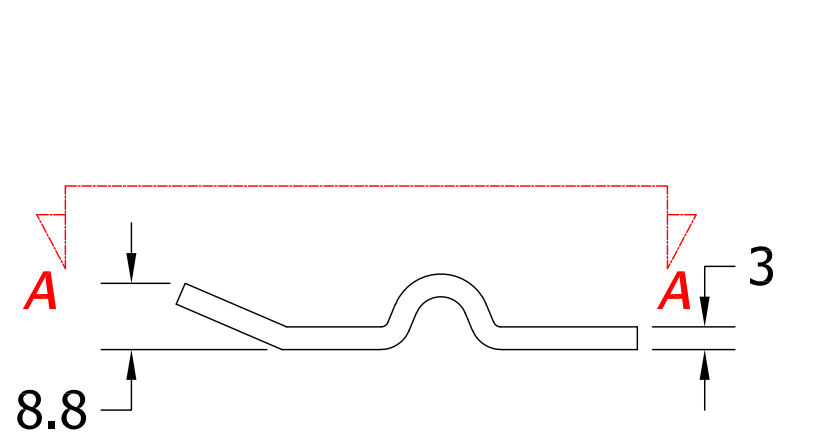
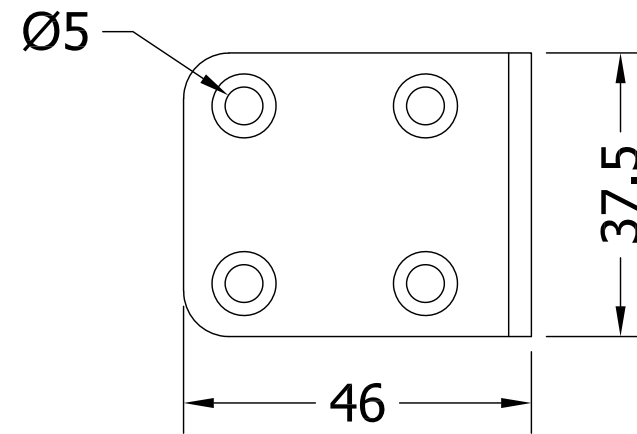
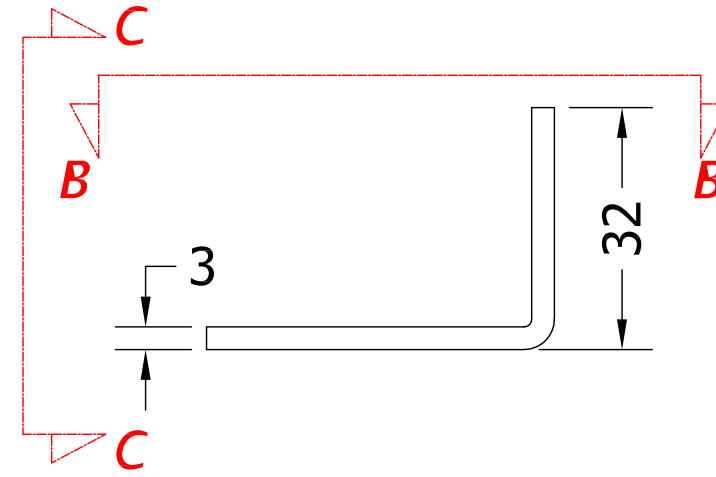


REVISIONS

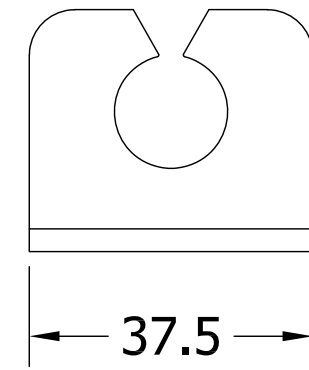
Revision	Description	Drawn	Date
A	Release	PW	7/12/17



Section A-A
FIXING BRACKET

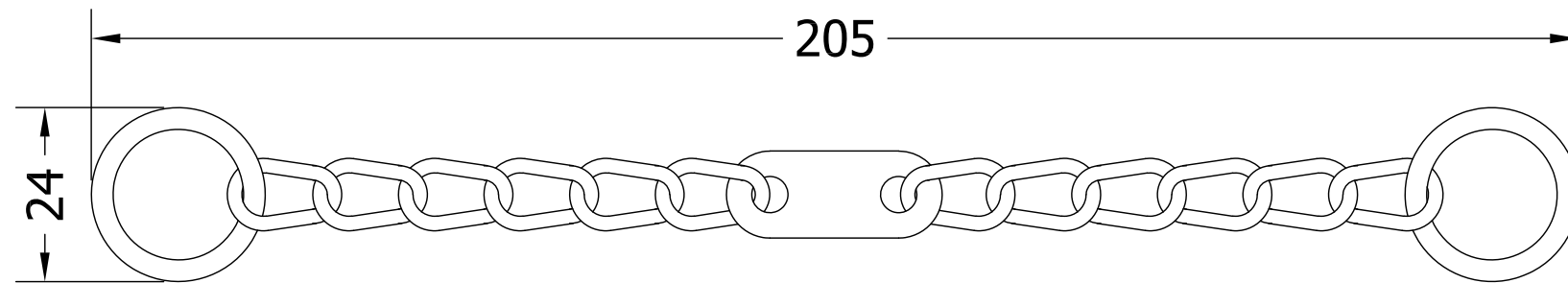
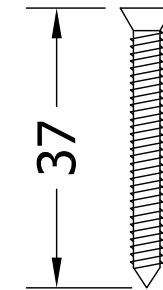


Section B-B



Section C-C

SECURING BRACKET



SECURITY CHAIN

COASTAL GROUP
innovating & upgrading the style, performance & longevity of external doors & windows globally

Global House, Bojea Industrial Estate, Trethowel, St Austell, PL25 5RJ
 Telephone | 01726 871725 - Fax | 01726 871731
 Email | sales@coastal-group.com - Web | www.coastal-group.com

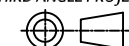
Drawing Reference:
Coastal Group

Drawing Title:
AA75
Heave Duty Door Security Chain

Product Range:
180 Newton Breaking Strain

Additional Info:

Date Drawn:	07/12/2017
Drawn By:	Phil Walklett
Part Number:	AA75
File Name:	CG-AA75.dwg
Revision:	A
Drawing Scale:	1:1@A3
Sheet Number:	1 of 1

THIRD ANGLE PROJECTION
 This drawing and specification are the property of Coastal Group, they are issued in strict confidence and shall not be reproduced, copied or used without written permission.